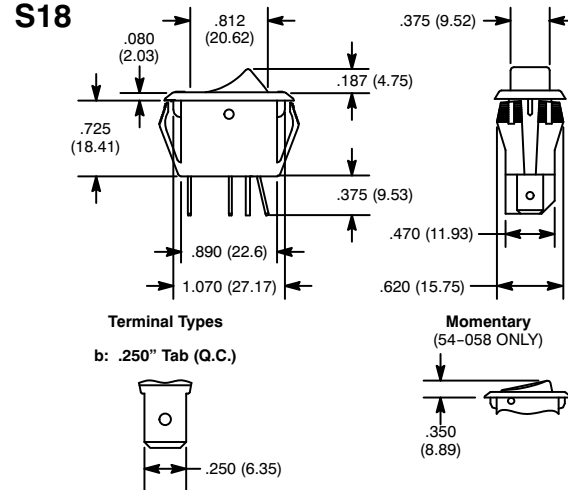


Miniature Snap-In Nylon Rocker, Single Pole



Features

- Fits Standard Panel Cutout



Specifications

Current Rating: 16A 125VAC, 10A 250VAC, 3/4 HP 125-250VAC
10(4)A 250VAC μ T85

(54-058 Only) 12A 125VAC, 8A 250VAC, 1/2 HP 125-250VAC

Insulation Resistance: 100 Megohms (min.)

Dielectric Strength: 1000V RMS (min.)

Temperature Rating: +32°F to +185°F (0°C to +85°C)

Electrical Life: 100,000 cycles

Mechanical Life: 100,000 cycles

Terminal Type: .250" Tab Q.C.

Mounting Hole: 1.125 (28.58) x .550 (13.97)

NTE Type No.	Circuitry	Action			Actuator		Diag No.
					Material	Color	
54-058*	SPST	OFF	NONE	(ON)	Polyester or Nylon	White	S18b
54-059	SPST	OFF	NONE	ON		Black	S18b
54-060	SPST	OFF	NONE	ON		Black	S18b
54-061	SPDT	ON	NONE	ON		Black	S18b
54-062**	SPST	OFF	NONE	ON		Black	S18b
54-063	SPDT	ON	OFF	ON		Black	S18b

SPECIAL NOTE: () = Momentary Function

* Momentary Rocker Style White Actuator

** Two Color Visi-Red Visi-Rocker Style Actuator