

Miniature Snap-In Nylon Rocker, Single Pole



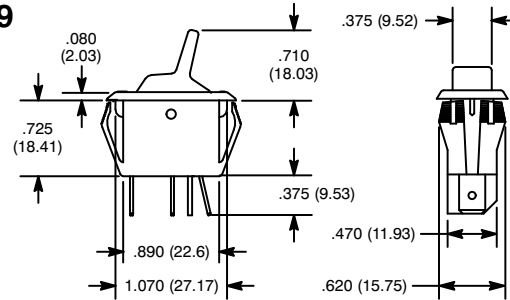
Features

- Fits Standard Panel Cutout



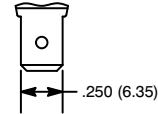
NTE Type No.	Circuitry	Action			Actuator		Diag No.
					Material	Color	
54-102	SPST	OFF	NONE	ON	Polyester or Nylon	Black	S19b

S19



Terminal Types

b: .250" Tab (Q.C.)



Specifications

Current Rating: 16A 125VAC, 10A 250VAC, 10(4)A 250VAC μ T85

Insulation Resistance: 100 Megohms (min.)

Dielectric Strength: 1000V RMS (min.)

Temperature Rating: +32°F to +185°F (0°C to +85°C)

Electrical Life: 100,000 cycles

Mechanical Life: 100,000 cycles

Terminal Type: .250" Tab Q.C.

Mounting Hole: 1.125 (28.58) x .550 (13.97)