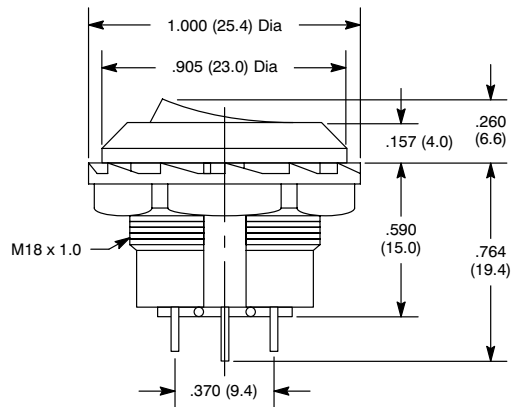


Round Hole Rocker, Single & Double Pole



S89



	NTE Type No.	Circuitry	Action			Actuator	Legend	Diag No.
NEW	54-500	SPST	ON	NONE	OFF	Nylon	Yes	S89
NEW	54-501	SPDT	ON	NONE	ON	Nylon	No	S89
NEW	54-502	DPDT	ON	NONE	ON	Nylon	No	S89

Specifications

Current Rating: 10A 125VAC, 6A 250VAC

Insulation Resistance: 100 Megohms (min.) at 500VDC

Dielectric Strength: 1000V RMS (min.)

Temperature Rating: -4°F to +149°F (-20°C to +65°C)

Electrical Life: 6000 cycles (min.)

Mechanical Life: 100,000 cycles (min.)

Terminal Type: Solder Lug

Mounting Hole: .717 (18.2)