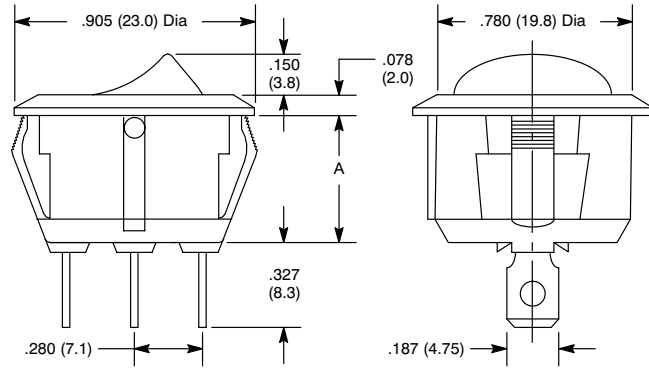


Snap-In Round Hole Rocker, Single Pole



S90



NOTE: The 54-503, 54-520, 54-521 and 54-522 contain the ON/OFF legend not represented by the photo.

Table 1.

Device Type	A
All Devices	.472 (12.0)
54-504	.570 (14.5)

NTE Type No.	Circuitry	Action			Actuator	Legend	Diag No.
NEW 54-503	SPST	ON	NONE	OFF	Nylon	Yes	S90
NEW 54-504	SPDT	ON	OFF	ON	Nylon	No	S90
NEW 54-505	SPDT	ON	NONE	ON	Nylon	No	S90
NEW 54-520	SPST	(ON)	NONE	OFF	Nylon	Yes	S90
NEW 54-521	SPST	ON	NONE	(OFF)	Nylon	Yes	S90
NEW 54-522	SPDT	ON	NONE	(ON)	Nylon	Yes	S90

SPECIAL NOTE: () = Momentary Function

Specifications

- Current Rating:** 16A 125VAC, 10A 250VAC
- Insulation Resistance:** 100 Megohms (min.) at 500VDC
- Dielectric Strength:** 1500V RMS (min.)
- Temperature Rating:** -4°F to +149°F (-20°C to +65°C)
- Electrical Life:** 6000 cycles (min.)
- Mechanical Life:** 100,000 cycles (min.)
- Terminal Type:** .187" Tab Q.C.
- Mounting Hole:** .795 (20.2)