

# Round Hole Rocker, Square Bezel

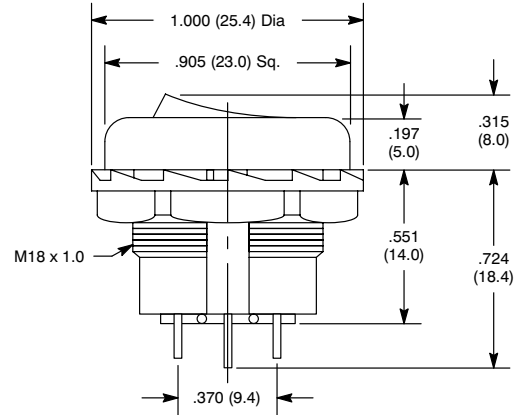


## Features

- Single & Double Pole Types



## S92



## Specifications

**Current Rating:** 10A 125VAC, 6A 250VAC

**Insulation Resistance:** 100 Megohms (min.) at 500VDC

**Dielectric Strength:** 1500V RMS (min.)

**Temperature Rating:** -4°F to +149°F (-20°C to +65°C)

**Electrical Life:** 6000 cycles (min.)

**Mechanical Life:** 100,000 cycles (min.)

**Terminal Type:** Solder Lug

**Mounting Hole:** .717 (18.2)

	NTE Type No.	Circuitry	Action			Actuator	Legend	Diag No.
NEW	54-507	SPST	ON	NONE	OFF	Red Nylon	Yes	S92
NEW	54-508	SPDT	ON	NONE	ON	Red Nylon	No	S92
NEW	54-509	DPDT	ON	NONE	ON	Red Nylon	No	S92