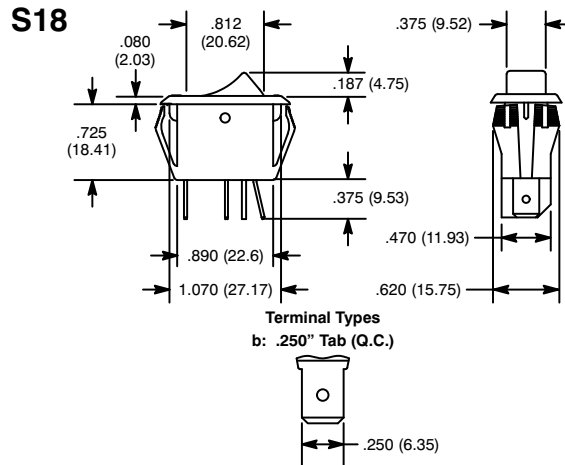


# Miniature Snap-In Nylon Illuminated Rocker



## Features

- Single Pole
- .250" Quick Connect Terminals



## Specifications

**Current Rating:** 16A 125VAC, 10A 250VAC, 10(4)A 250VAC $\mu$  T85

**Lens Color:** See Table

**Lamp Voltage:** 125V Neon

**Insulation Resistance:** 100 Megohms (min.)

**Dielectric Strength:** 1000V RMS (min.)

**Temperature Rating:** +32°F to +185°F (0°C to +85°C)

**Electrical Life:** 100,000 cycles

**Mechanical Life:** 100,000 cycles

**Terminal Type:** .250" Tab Q.C.

**Mounting Hole:** 1.125 (28.58) x .550 (13.97)

NTE Type No.	Circuitry	Action			Actuator	Lens Color	Diag No.
54-064	SPST	OFF	NONE	ON	Translucent Nylon	Amber	S18b
54-065	SPST	OFF	NONE	ON		Red	S18b
54-517	SPST	OFF	NONE	ON	Clear Nylon	Red	S18b
54-518	SPST	OFF	NONE	ON		Green	S18b
54-519	SPST	OFF	NONE	ON		Amber	S18b

NEW

NEW

NEW