

# Miniature Snap-In Nylon Illuminated Rocker

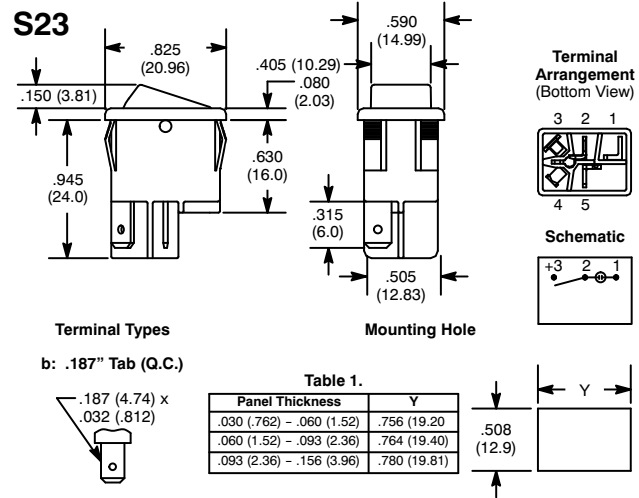


## Features

- Single Pole
- .187" Quick Connect Terminals
- Fits Standard Panel Cutout
- High Inrush Capability
- Shallow base Design



NTE Type No.	Circuitry	Action			Actuator	Lens Color	Diag No.
54-080	SPST	ON	NONE	OFF	Polycarbonate	Red	S23b



## Specifications

**Current Rating:** 12A 125VAC, 8A 250VAC, 1/2 HP 125-250VAC

**Lens Color:** Red

**Lamp Voltage:** 125V Neon

**Insulation Resistance:** 50 Megohms (min.)

**Dielectric Strength:** 1500V RMS (min.)

**Temperature Rating:** +32°F to +185°F (0°C to +85°C)

**Electrical Life:** 50,000 cycles

**Mechanical Life:** 100,000 cycles

**Terminal Type:** .187" Tab Q.C.

**Mounting Hole:** See Table 1