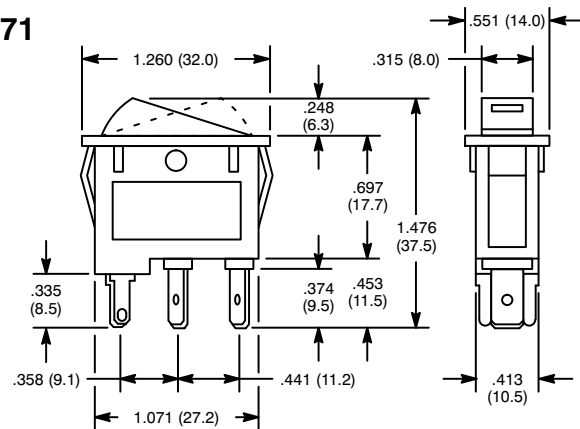


Snap-In Illuminated Rocker, Single Pole



NTE Type No.	Circuitry	Action			Actuator	Lens Color	Diag No.
54-386	SPST	ON	NONE	OFF	Polycarbonate	Red	S71
54-387	SPST	ON	NONE	OFF	Polycarbonate	Black	S71

S71



Specifications

Current Rating: 10A 125VAC

Lens Color: See Table

Lamp Voltage: 2.1V LED

Insulation Resistance: 100 Megohms (min.) at 500VDC

Dielectric Strength: 1000V RMS (min.)

Temperature Rating: +14°F to +131°F (-10°C to +55°C)

Electrical Life: 20,000 cycles

Mechanical Life: 30,000 cycles

Terminal Type: .250" Tab Q.C.

Mounting Hole: 1.189 (30.2) x .433 (11.0)