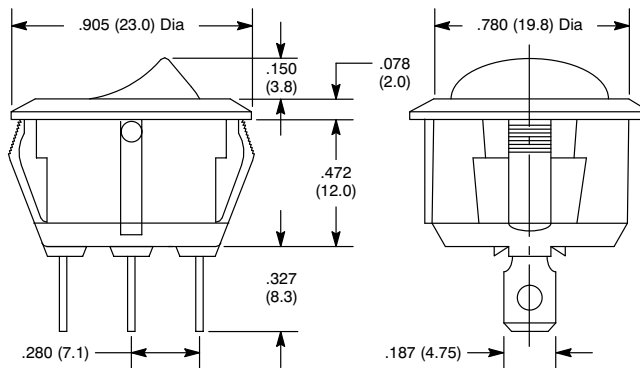


Snap-In Round Hole Illuminated Rocker, Single Pole



S90



Specifications

Current Rating: 16A 125VAC, 10A 250VAC

Lens Color: See Table

Lamp Voltage: 110V Neon (AC) & 2V @ 20mA* LED (DC)

Insulation Resistance: 100 Megohms (min.) at 500VDC

Dielectric Strength: 1500V RMS (min.)

Temperature Rating: -4°F to +149°F (-20°C to +65°C)

Electrical Life: 6000 cycles (min.)

Mechanical Life: 100,000 cycles (min.)

Terminal Type: .187" Tab Q.C.

Mounting Hole: .795 (20.2)

* Resistor needed for other voltages.

NTE Type No.	Circuitry	Action			Actuator				Diag No.
					Material	Color		Vltg	
						Neon	LED		
NEW 54-506	SPST	ON	NONE	OFF	Nylon	Red	-	AC	S90
NEW 54-532	SPST	ON	NONE	OFF	Nylon	Amber	-	AC	S90
NEW 54-533	SPST	ON	NONE	OFF	Nylon	Green	-	AC	S90
NEW 54-534	SPST	ON	NONE	OFF	Nylon	-	Red	DC	S90
NEW 54-535	SPST	ON	NONE	OFF	Nylon	-	Amber	DC	S90
NEW 54-536	SPST	ON	NONE	OFF	Nylon	-	Green	DC	S90
NEW 54-537	SPST	ON	NONE	OFF	Nylon	-	Blue	DC	S90