

Nylon Paddle Toggle, Single & Double Pole

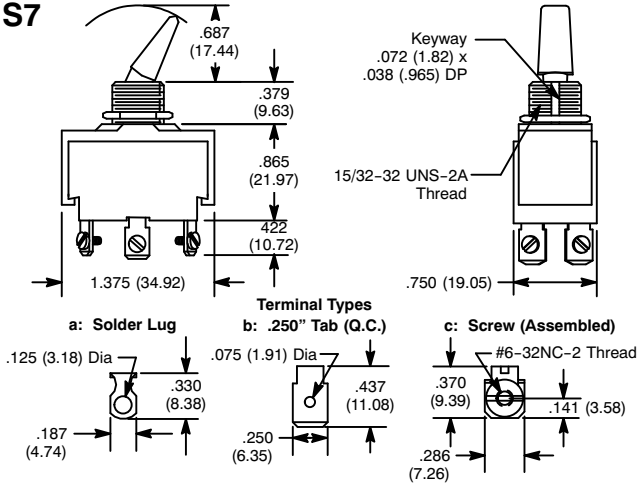


Features

- Slow Make, Slow Break Contacts
- Heavy Duty AC Rated Also Suitable for Low Voltage DC Applications
- Industry Standard .500" Dia Mounting Hole



S7



NTE Type No.	Circuitry	Action			Actuator	Diag No.
54-084	DPDT	ON	NONE	ON	Black Polycarbonate	S7a
54-085	DPDT	ON	OFF	ON	Black Polycarbonate	S7a
54-107	DPST	ON	NONE	OFF	Black Polycarbonate	S7b
54-108	DPDT	ON	NONE	ON	Black Polycarbonate	S7b
54-109	DPDT	ON	OFF	ON	Black Polycarbonate	S7b
54-110	SPST	ON	NONE	OFF	Black Polycarbonate	S7c
54-111	SPDT	ON	NONE	ON	Black Polycarbonate	S7c
54-112	DPST	ON	NONE	OFF	Black Polycarbonate	S7c
54-113	DPDT	ON	NONE	ON	Black Polycarbonate	S7c
54-119	SPDT	ON	OFF	ON	Black Polycarbonate	S7b
54-120	DPDT	ON	OFF	ON	Black Polycarbonate	S7c

Specifications

Current Rating:

54-084 & 54-085: 6A 125VAC, 3A 250VAC, 1/4 HP 125-250VAC

All Other Devices: 20A 125-277VAC, 1 1/2 HP 125VAC, 2 HP 250VAC

Insulation Resistance: 100 Megohms (min.)

Dielectric Strength: 1000V RMS (min.)

Temperature Rating: +32°F to +185°F (0°C to +85°C)

Electrical Life: 50,000 cycles

Mechanical Life: 100,000 cycles

Terminal Type: Refer to Diag No. in Table

Mounting Hole: .500 (12.7)