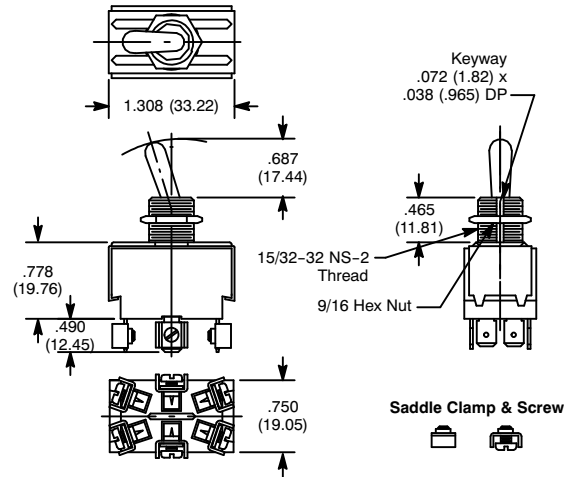


Bat Handle Toggle, Double Pole



| NTE Type No. | Circuitry | Action | | | Actuator | Diag No. |
|--------------|-----------|--------|------|-----|--------------------|----------|
| 54-026 | DPST | ON | NONE | OFF | Brass/Nickel Plate | S8 |
| 54-027 | DPDT | ON | NONE | ON | Brass/Nickel Plate | S8 |
| 54-028 | DPDT | ON | OFF | ON | Brass/Nickel Plate | S8 |

S8



Specifications

Current Rating: 15A 125VAC, 10A 250VAC, 3/4 HP 125-250VAC

Insulation Resistance: 100 Megohms (min.)

Dielectric Strength: 1000V RMS (min.)

Temperature Rating: +32°F to +185°F (0°C to +85°C)

Electrical Life: 50,000 cycles

Mechanical Life: 100,000 cycles

Terminal Type: "3-in-1" Combi-Terminal

Mounting Hole: .500 (12.7)