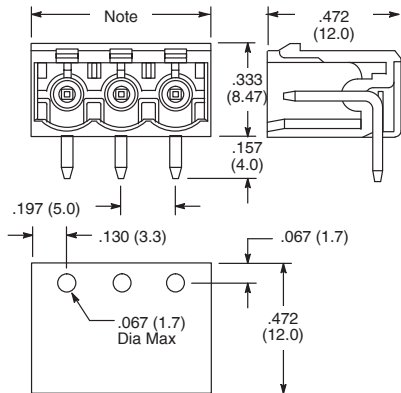


# EURO-STYLE TERMINAL BLOCKS

## 25-E1000 Series PCB Socket for Pluggable Types



Note: .197 (5.0) x P + .063 (1.6)

Pitch: 5mm

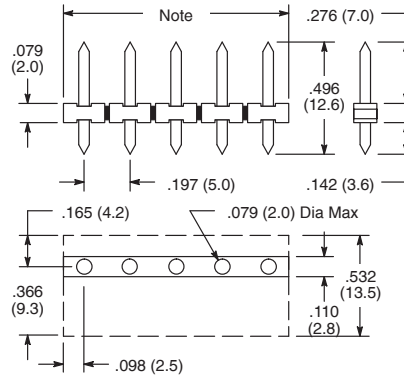
### Specifications

Approval	
Rated Voltage	300V
Rated Current	15A
Wire Range	-
Solid Wire (AWG)	-
Stranded Wire (AWG/mm <sup>2</sup> )	-
Rated Surge Voltage (UL/Max.)	1.6KV / 4KV
Torque (Lb-in)	-
Screw Type	-
Wire Strip Length	-

### Ordering Information

Number of Poles	NTE Part Number
02	25-E1000-02
03	25-E1000-03
04	25-E1000-04
05	25-E1000-05
06	25-E1000-06
07	25-E1000-07
08	25-E1000-08
09	25-E1000-09
10	25-E1000-10
12	25-E1000-12

## 25-E1500 Series Wire Protector



Note: .197 (5.0) x P

Pitch: 5mm

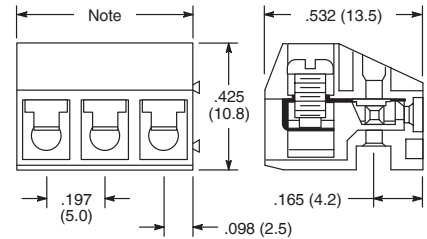
### Specifications

Approval	
Rated Voltage	300V
Rated Current	7A
Wire Range	-
Solid Wire (AWG)	-
Stranded Wire (AWG/mm <sup>2</sup> )	-
Rated Surge Voltage (UL/Max.)	1.6KV / 4KV
Torque (Lb-in)	-
Screw Type	-
Wire Strip Length	-

### Ordering Information

Number of Poles	NTE Part Number
02	25-E1500-02
03	25-E1500-03
04	25-E1500-04
05	25-E1500-05
06	25-E1500-06
07	25-E1500-07
08	25-E1500-08
09	25-E1500-09
10	25-E1500-10
11	25-E1500-11
12	25-E1500-12

## 25-E1600 Series Wire Protector



Note: .197 (5.0) x P

Pitch: 5mm

### Specifications

Approval	
Rated Voltage	300V
Rated Current	7A
Wire Range	-
Solid Wire (AWG)	22 - 14
Stranded Wire (AWG/mm <sup>2</sup> )	22 - 14
Rated Surge Voltage (UL/Max.)	1.6KV / 4KV
Torque (Lb-in)	2.7
Screw Type	M2.5
Wire Strip Length	.197 - .236" (5 - 6mm)

### Ordering Information

Number of Poles	NTE Part Number
02	25-E1600-02
03	25-E1600-03
04	25-E1600-04
05	25-E1600-05
06	25-E1600-06
07	25-E1600-07
08	25-E1600-08
09	25-E1600-09
10	25-E1600-10
11	25-E1600-11
12	25-E1600-12