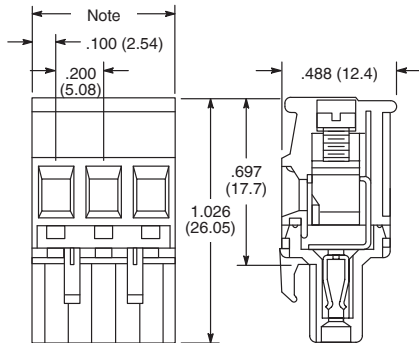


# EUROSTYLE TERMINAL BLOCKS

## 25-E1100 Series Plug for Pluggable Types



Note: .200 (5.08) x P

Pitch: 5.08mm

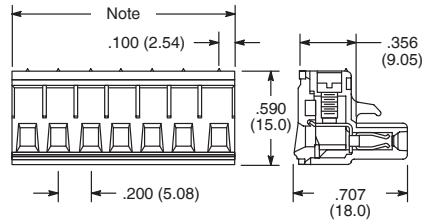
### Specifications

Approval	
Rated Voltage	300V
Rated Current	15A
Wire Range	-
Solid Wire (AWG)	28 - 12
Stranded Wire (AWG/mm <sup>2</sup> )	30 - 12
Rated Surge Voltage (UL/Max.)	1.6KV / 3KV
Torque (Lb-in)	4.5
Screw Type	M2.5
Wire Strip Length	.276 - .315" (7 - 8mm)

### Ordering Information

Number of Poles	NTE Part Number
02	25-E1100-02
03	25-E1100-03
04	25-E1100-04
05	25-E1100-05
06	25-E1100-06
08	25-E1100-08
10	25-E1100-10

## 25-E1200 Series Plug for Pluggable Types



Note: .200 (5.08) x P

Pitch: 5.08mm

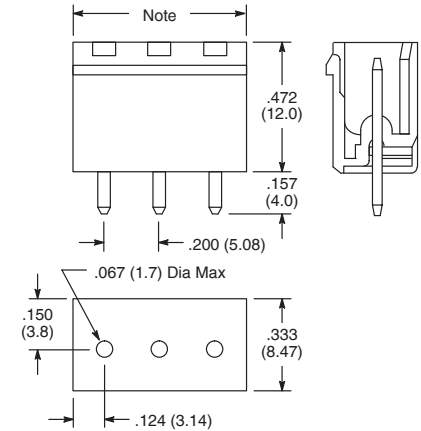
### Specifications

Approval	
Rated Voltage	300V
Rated Current	15A
Wire Range	-
Solid Wire (AWG)	28 - 12
Stranded Wire (AWG/mm <sup>2</sup> )	30 - 12
Rated Surge Voltage (UL/Max.)	1.6KV / 4KV
Torque (Lb-in)	4.5
Screw Type	2.5
Wire Strip Length	.276 - .315" (7 - 8mm)

### Ordering Information

Number of Poles	NTE Part Number
02	25-E1200-02
03	25-E1200-03
04	25-E1200-04
05	25-E1200-05
06	25-E1200-06
08	25-E1200-08
10	25-E1200-10
12	25-E1200-12

## 25-E1300 Series PCB Socket for Pluggable Types



Note: .200 (5.08) x (P-1) + .247 (6.28)

Pitch: 5.08mm

### Specifications

Approval	
Rated Voltage	300V
Rated Current	15A
Wire Range	-
Solid Wire (AWG)	-
Stranded Wire (AWG/mm <sup>2</sup> )	-
Rated Surge Voltage (UL/Max.)	1.6KV / 4KV
Torque (Lb-in)	-
Screw Type	-
Wire Strip Length	-

### Ordering Information

Number of Poles	NTE Part Number
02	25-E1300-02
03	25-E1300-03
04	25-E1300-04
05	25-E1300-05
06	25-E1300-06
08	25-E1300-08
10	25-E1300-10
12	25-E1300-12