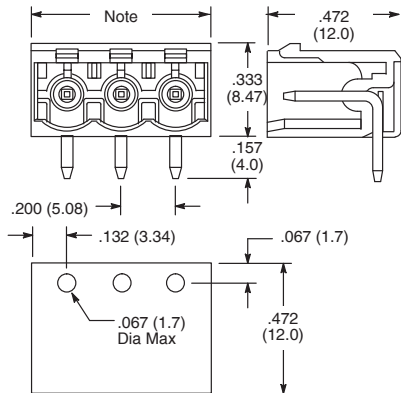


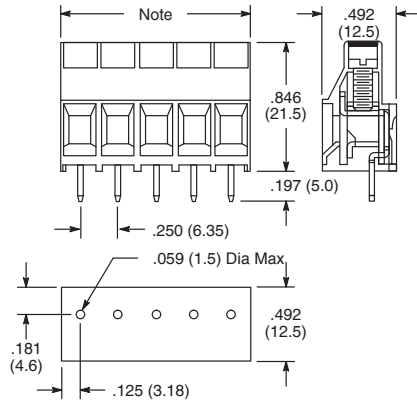
EUROSTYLE TERMINAL BLOCKS

25-E1400 Series PCB Socket for Pluggable Types



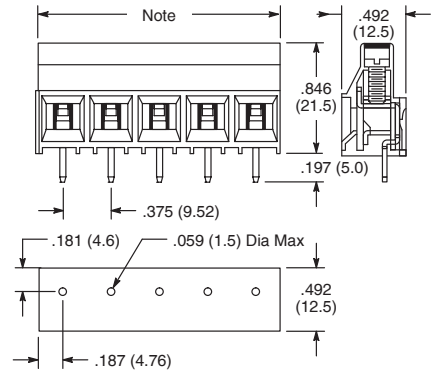
Note: .200 (5.08) x P + .063 (1.6)

25-E1700 Series PC Mount



Note: .250 (6.35) x (P-1) + .251 (6.36)

25-E1800 Series PC Mount



Note: .375 (9.52) x (P-1) + .375 (9.52)

Pitch: 5.08mm

Specifications

Approval	
Rated Voltage	300V
Rated Current	15A
Wire Range	-
Solid Wire (AWG)	-
Stranded Wire (AWG/mm ²)	-
Rated Surge Voltage (UL/Max.)	1.6KV / 4KV
Torque (Lb-in)	-
Screw Type	-
Wire Strip Length	-

Ordering Information

Number of Poles	NTE Part Number
02	25-E1400-02
03	25-E1400-03
04	25-E1400-04
05	25-E1400-05
06	25-E1400-06
08	25-E1400-08
10	25-E1400-10
12	25-E1400-12

Pitch: 6.35mm

Specifications

Approval	
Rated Voltage	300V
Rated Current	30A
Wire Range	-
Solid Wire (AWG)	26 - 10
Stranded Wire (AWG/mm ²)	26 - 10
Rated Surge Voltage (UL/Max.)	1.6KV / 4KV
Torque (Lb-in)	7
Screw Type	M3
Wire Strip Length	.394 - .433" (10 - 11mm)

Ordering Information

Number of Poles	NTE Part Number
02	25-E1700-02
03	25-E1700-03

Pitch: 9.52mm

Specifications

Approval	
Rated Voltage	300V / 600V
Rated Current	30A / 5A
Wire Range	-
Solid Wire (AWG)	26 - 10
Stranded Wire (AWG/mm ²)	26 - 10
Rated Surge Voltage (UL/Max.)	2.2KV / 4KV
Torque (Lb-in)	4.4
Screw Type	M3
Wire Strip Length	.236 - .276" (6 - 7mm)

Ordering Information

Number of Poles	NTE Part Number
02	25-E1800-02
03	25-E1800-03