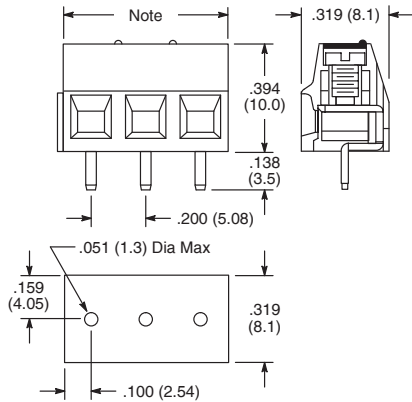


# EURO-STYLE TERMINAL BLOCKS

## 25-E500 Series PC Mount



Note: .200 (5.08) x P

Pitch: 5.08mm

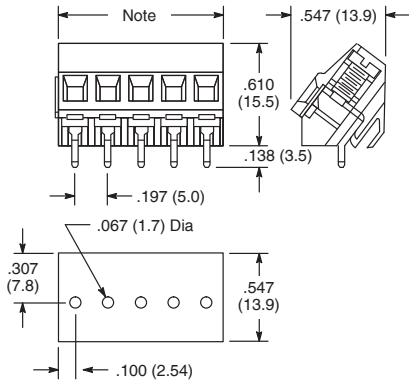
### Specifications

Approval	c  us
Rated Voltage	300V
Rated Current	13.5A
Wire Range	-
Solid Wire (AWG)	30 - 14
Stranded Wire (AWG/mm <sup>2</sup> )	30 - 14
Rated Surge Voltage (UL/Max.)	1.6KV / 3KV
Torque (Lb-in)	5
Screw Type	M2.5
Wire Strip Length	.236 - .276" (6 - 7mm)

### Ordering Information

Number of Poles	NTE Part Number
02	25-E500-02
03	25-E500-03

## 25-E600 Series PC Mount



Note: .200 (5.08) x P

Pitch: 5.08mm

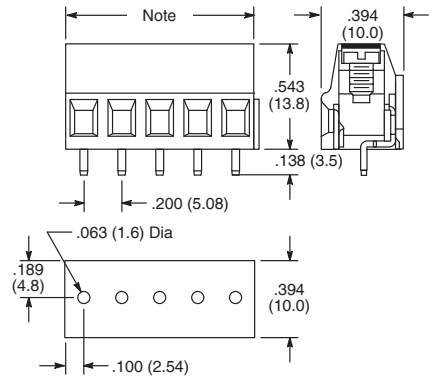
### Specifications

Approval	c  us
Rated Voltage	300V
Rated Current	20A
Wire Range	-
Solid Wire (AWG)	24 - 12
Stranded Wire (AWG/mm <sup>2</sup> )	24 - 12
Rated Surge Voltage (UL/Max.)	1.6KV / 3KV
Torque (Lb-in)	4.4
Screw Type	M2.5
Wire Strip Length	.236 - .276" (6 - 7mm)

### Ordering Information

Number of Poles	NTE Part Number
02	25-E600-02
03	25-E600-03

## 25-E700 Series PC Mount



Note: .200 (5.08) x P

Pitch: 5.08mm

### Specifications

Approval	c  us
Rated Voltage	300V
Rated Current	20A
Wire Range	-
Solid Wire (AWG)	24 - 12
Stranded Wire (AWG/mm <sup>2</sup> )	24 - 12
Rated Surge Voltage (UL/Max.)	1.6KV / 3KV
Torque (Lb-in)	4.4
Screw Type	M2.5
Wire Strip Length	.236 - .276" (6 - 7mm)

### Ordering Information

Number of Poles	NTE Part Number
02	25-E700-02
03	25-E700-03
04	25-E700-04
05	25-E700-05
06	25-E700-06
07	25-E700-07
08	25-E700-08
09	25-E700-09
10	25-E700-10