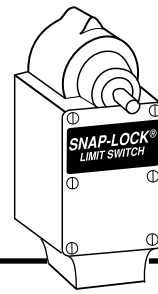


Single Pole  
Harsh Environment/  
Navy Marine

# Limit Switches

Butt/  
Sliding  
Contacts



Limit Switches

## NAVY meets MIL-C-2212F

**Construction** — Completely fabricated from non-corrosive materials, its bronze housing and high quality stainless steel shaft insure against external damage to the switch from salt spray corrosive elements. Sealing against leakage is achieved through the use of high quality gaskets on machined surfaces and "O" ring protection, plus close tolerance between the shaft and bushing.

**Durability** — All internal components are of high grade stainless steel or copper alloy, chrome plated when required, to protect against bearing surface wear and to provide millions of operations.

Both the EA780 and EA790 series switches have heavy duty electrical contacts. The EA780 switches have sliding, double break type contacts built to meet the high shock requirements outlined in MIL-S-901.

EA790 switches have heavy duty, double break butt type contacts.

**Contacts** — EA780 switches contain sliding contact arrangement which wipe clean with each operation.

EA790 switches contain butt style contacts.

Both series available with operation direction CW, CCW or CW/CCW.

**Levers** — A variety of corrosion resistant levers are available to meet specific actuating requirements.

NOTE: Levers must be ordered as separate items. See Operating Levers Section.

## EA780 Single Pole 1 N.O. - 1 N.C. / Sliding Contacts / Cam Action

| Standard Mounting Model No.                     | Wide Mounting Model No. | Long Mounting Model No. | Dir. Of Operation | Angle A Trip Travel | Angle B Reset Travel | Angle C Recom. Travel | Angle D Total Travel | Angle E Min. Travel to Maintain | Angle F Overall Travel | Torque (inch lbs) | Contact Config. | Data Drawing |
|---|-------------------------|-------------------------|-------------------|---------------------|----------------------|-----------------------|----------------------|---------------------------------|------------------------|-------------------|-----------------|--------------|
| <b>STANDARD TRAVEL</b>                          |                         |                         |                   |                     |                      |                       |                      |                                 |                        |                   |                 |              |
| EA780-10000                                     | EA780-40000             | EA780-70000             | CW                | 18°                 | 14°                  | 30°                   | 90°                  | -                               | -                      | 15                | A               | 1            |
| EA780-10001                                     | EA780-40001             | EA780-70001             | CCW               | 18°                 | 14°                  | 30°                   | 90°                  | -                               | -                      | 15                | B               | 1            |
| EA780-10100                                     | EA780-40100             | EA780-70100             | CW/CCW            | 18°                 | 14°                  | 30°                   | 90°                  | -                               | -                      | 15                | C               | 1            |
| <b>MAINTAINED CONTACTS &amp; LEVER POSITION</b> |                         |                         |                   |                     |                      |                       |                      |                                 |                        |                   |                 |              |
| EA780-16000                                     | EA780-46000             | EA780-76000             | CW                | 55°                 | 22°                  | 60°                   | 116°                 | 55°                             | 64°                    | 6                 | D               | 2            |
|   |                         |                         | CCW               | 25°                 | 25°                  | 60°                   | 124°                 | 54°                             | 56°                    | 9                 |                 |              |
| <b>MAINTAINED CONTACT-LEVER RETURNED</b>        |                         |                         |                   |                     |                      |                       |                      |                                 |                        |                   |                 |              |
| EA780-16700                                     | EA780-46700             | EA780-76700             | CW                | 30°                 | 26°                  | 45°                   | 90°                  | 30°                             | -                      | 12                | D               | 3            |
|   |                         |                         | CCW               | 16°                 | 30°                  | 45°                   | 90°                  | 26°                             | -                      | 13.5              |                 |              |

See Operating Levers Section

# EA780/EA790

## EA790 Single Pole 1 N.O. - 1 N.C. / Butt Contacts / Cam Action

| Standard Mounting Model No.                    | Wide Mounting Model No. | Long Mounting Model No. | Dir. Of Operation | Angle A Trip Travel | Angle B Reset Travel | Angle C Recom. Travel | Angle D Total Travel | Angle E Min. Travel to Maintain | Angle F Overall Travel | Torque (inch lbs) | Contact Config. | Data Drawing |
|--|-------------------------|-------------------------|-------------------|---------------------|----------------------|-----------------------|----------------------|---------------------------------|------------------------|-------------------|-----------------|--------------|
| <b>STANDARD TRAVEL</b>                         |                         |                         |                   |                     |                      |                       |                      |                                 |                        |                   |                 |              |
| EA790-10000                                    | EA790-40000             | EA790-70000             | CW                | 18°                 | 14°                  | 30°                   | 90°                  | -                               | -                      | 15                | A               | 1            |
| EA790-10001                                    | EA790-40001             | EA790-70001             | CCW               | 18°                 | 14°                  | 30°                   | 90°                  | -                               | -                      | 15                | B               | 1            |
| EA790-10100                                    | EA790-40100             | EA790-70100             | CW/CCW            | 18°                 | 14°                  | 30°                   | 90°                  | -                               | -                      | 15                | C               | 1            |
| <b>MAINTAINED CONTACT &amp; LEVER POSITION</b> |                         |                         |                   |                     |                      |                       |                      |                                 |                        |                   |                 |              |
| EA790-16000                                    | EA790-46000             | EA790-76000             | CW                | 55°                 | 22°                  | 60°                   | 116°                 | 55°                             | 64°                    | 6                 | D               | 2            |
|  |                         |                         | CCW               | 25°                 | 25°                  | 60°                   | 124°                 | 54°                             | 56°                    | 9                 |                 |              |
| <b>MAINTAINED CONTACT-LEVER RETURNED</b>       |                         |                         |                   |                     |                      |                       |                      |                                 |                        |                   |                 |              |
| EA790-16700                                    | EA790-46700             | EA790-76700             | CW                | 30°                 | 26°                  | 45°                   | 90°                  | 30°                             | -                      | 12                | D               | 3            |
|  |                         |                         | CCW               | 16°                 | 30°                  | 45°                   | 90°                  | 26°                             | -                      | 13.5              |                 |              |
| <b>SHORT TRAVEL</b>                            |                         |                         |                   |                     |                      |                       |                      |                                 |                        |                   |                 |              |
| EA790-10900                                    | EA790-40900             | EA790-70900             | CW/CCW            | 13°                 | 10°                  | 30°                   | 90°                  | -                               | -                      | 15                | C               | 1            |
| <b>NEUTRAL POSITION - ALL CONTACTS OPEN</b>    |                         |                         |                   |                     |                      |                       |                      |                                 |                        |                   |                 |              |
| EA790-15700                                    | EA790-45700             | EA790-75700             | CW                | 31°                 | 12°                  | 45°                   | 90°                  | -                               | -                      | 15                | E               | 1            |
|  |                         |                         | CCW               | 31°                 | 22°                  | 45°                   | 90°                  | -                               | -                      | 19.5              |                 |              |
| <b>NEUTRAL POSITION - ALL CONTACTS CLOSED</b>  |                         |                         |                   |                     |                      |                       |                      |                                 |                        |                   |                 |              |
| EA790-15800                                    | EA790-45800             | EA790-75800             | CW                | 31°                 | 12°                  | 45°                   | 90°                  | -                               | -                      | 15                | F               | 1            |
|  |                         |                         | CCW               | 31°                 | 22°                  | 45°                   | 90°                  | -                               | -                      | 15                |                 |              |

Limit Switches

### Common Switch Characteristics

| SINGLE POLE, HARSH ENVIRONMENT NAVY MARINE, BUTT/SLIDING CONTACTS |  |                           |
|---|--|---------------------------|
|   | EA780  | EA790                     |
| NEMA Enclosure Type   | 1, 4, 4X, 6, 6P, 13  |                           |
| Housing Material  | Bronze   |                           |
| Ambient Temperature Range*  | -20°C to +90°C   |                           |
| Shipping Weight   | 4 lbs. approx.   |                           |
| Lever Adjustment  | 7°30' Increments thru 360°   |                           |
| Contacts  | Sliding, Silver Alloy Form Z   | Butt, Silver Alloy Form Z |
| Special Switch Features   | MIL-C-22122F<br>Watertight (3 ft. for 60 min.) and Submersible (15ft. for 30 min.) per MIL STD-108E<br>Vibration requirements per MIL-STD-167B, Type 1<br>High Shock per MIL-S-901, grade A, Class 1, type A |                           |

\*Some high temperature (0°C to 150°C) and low temperature (-40°C to +90°C) versions available. Contact factory.

### EA780

#### Continuous Current Rating - Amperes

| VOLTAGE | AC   | DC  |
|---------|------|-----|
| 125     | 10.0 | 2.5 |
| 250     | 7.5  | .75 |
| 480     | 5.0  | -   |
| 600     | 2.5  | -   |

75-100% Power Factor

### EA790

#### Continuous Current Rating - Amperes

| VOLTAGE | AC   | DC  |
|---------|------|-----|
| 125     | 20.0 | 5.0 |
| 250     | 15.0 | 1.5 |
| 480     | 10.0 | -   |
| 600     | 5.0  | -   |

75-100% Power Factor



Namco Controls Corporation

Mayfield Village, OH 44143

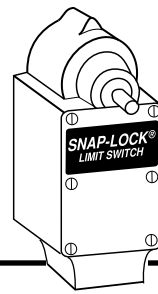
(440) 460-1360 • FAX (440) 460-3800 • namcocontrols.com

For technical assistance, call 1-800-NAMTECH

Single Pole  
Harsh Environment/  
Navy Marine

# Limit Switches

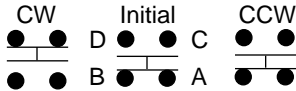
Butt/  
Sliding  
Contacts



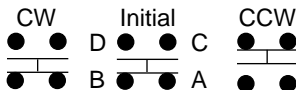
Limit Switches

## Contact Configurations

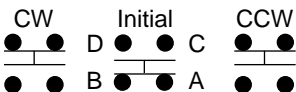
### CIRCUIT A



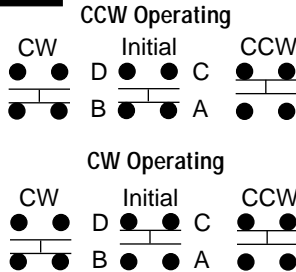
### CIRCUIT B



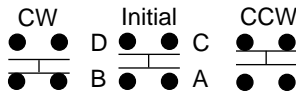
### CIRCUIT C



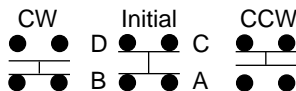
### CIRCUIT D



### CIRCUIT E

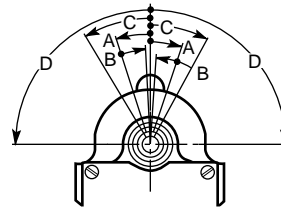


### CIRCUIT F

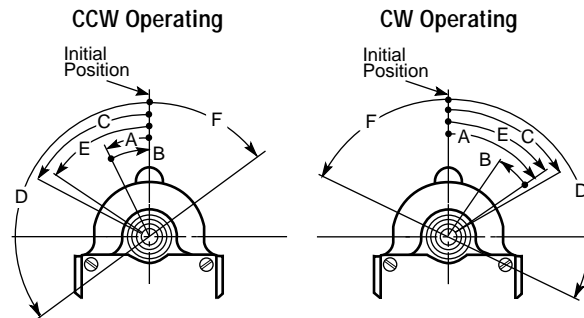


## Operational Data Drawings

### DRAWING #1

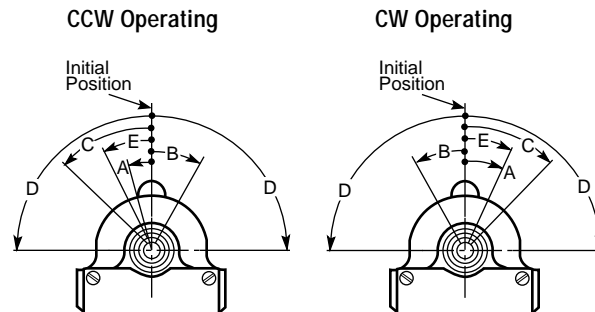


### DRAWING #2



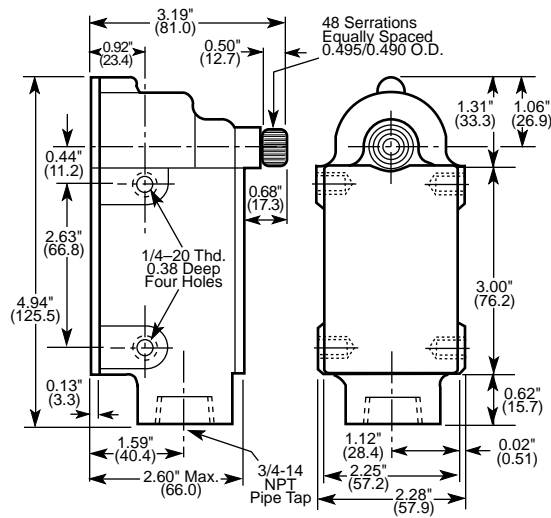
To change switch operation from CW operating to CCW operating, operate switch through angle E. Remove lever and reset at initial position.

### DRAWING #3

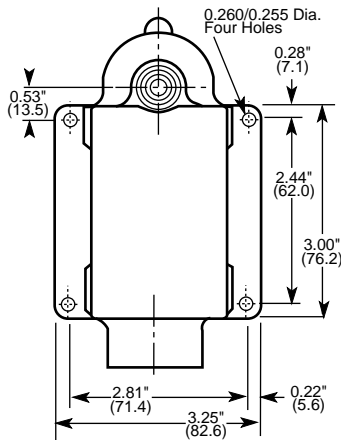


To change switch operation from CW operating to CCW operating, operate switch through angle E.

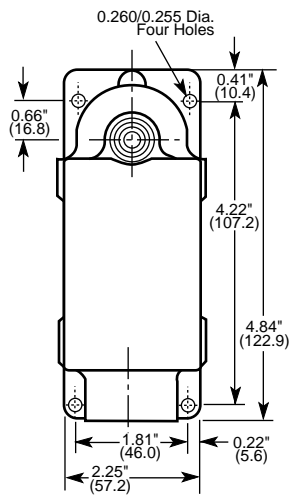
### STANDARD MOUNTING PLATE



### WIDE MOUNTING PLATE



### LONG MOUNTING PLATE



Dimensions: inches/(mm)

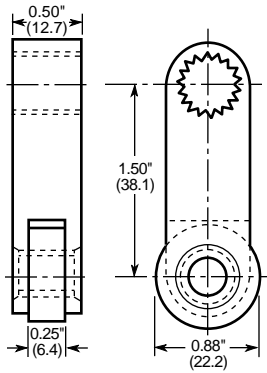
# NAMCO

Namco Controls Corporation

Mayfield Village, OH 44143

(440) 460-1360 • FAX (440) 460-3800 • namcocontrols.com

For technical assistance, call 1-800-NAMTECH



**Standard Operating Lever**  
EL010-53420 (D-1260)  
(for .500 Dia. Shaft Switches)

### For Series:

**EA040, EA060, EA080,  
EA130, EA140, EA170,  
EA700, EA710, EA730,  
EA760, EA770, EA780,  
EA790, EA800, EA880,  
EA990**

Select the operating lever for your application with regards to dimensions and materials required.

Requests for operating levers not shown should include lever style and all pertinent information as to limit switch number, dimensions, materials, etc.

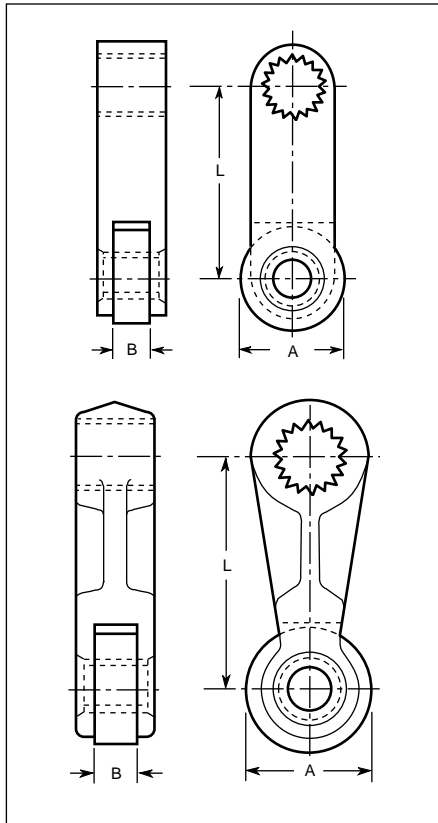
Depending upon your application, levers are available in cold rolled steel, stainless steel, or bronze. Rollers are available in steel, nylon, Beryl Cop., stainless steel or steel ball bearings. Please consult materials column of the lever of your choice.

This style and size operating lever is considered standard for the majority of snap-lock switch installations. The EL010-53420 (D1260) lever is steel with a nylon roller and a stainless steel roller pin. Like all snap-lock levers, the serrated mounting hole matches the serrated lever shaft of the switches to provide fixed adjustment of the lever in 7.5° increments.

For Series EA040, 060, 080,  
130, 140, 170, 700, 710,  
730, 760, 770, 780, 790,  
800, 880, 990

Style R - Regular Straight Type

EL Series



| Ordering Numbers |           |       |       |      | Material |            |
|------------------|-----------|-------|-------|------|----------|------------|
| Part Number      | Reference | L     | A     | B    | Lever    | Roller     |
| EL060-50320      | D1260BA   | 3/4   | 3/4   | 1/4  | C.R.S.   | C.R.S.     |
| EL060-51319      | —         | 1     | 3/4   | 1/4  | C.R.S.   | Bryl. Cop. |
| EL060-52321      | D1260GQ   | 1-1/4 | 3/4   | 1/4  | C.R.S.   | C.R.S.     |
| EL060-53923      | D1260BH   | 1-1/2 | 1-1/4 | 1/4  | C.R.S.   | C.R.S.     |
| EL010-53338      | DS1260    | 1-1/2 | 3/4   | 1/4  | Steel    | C.R.S.     |
| EL060-53300      | —         | 1-1/2 | 3/4   | 1/4  | Brass    | Bryl. Cop. |
| EL010-53336      | —         | 1-1/2 | 3/4   | 1/4  | Steel    | S.S.       |
| EL010-53337      | —         | 1-1/2 | 3/4   | 1/4  | Steel    | Bryl. Cop. |
| EL060-53401      | D1260RF   | 1-1/2 | 7/8   | 9/32 | Brass    | Nylon      |
| EL060-53402      | —         | 1-1/2 | 7/8   | 9/32 | Brass    | Bryl. Cop. |
| EL010-53420      | D1260     | 1-1/2 | 7/8   | 9/32 | Steel    | Nylon      |
| EL010-53429      | D1260Y    | 1-1/2 | 7/8   | 9/32 | Steel    | B.B.       |
| EL060-53536      | D1260Z    | 1-1/2 | 1     | 1/4  | C.R.S.   | C.R.S.     |
| EL060-53926      | D1260CL   | 1-1/2 | 1-3/8 | 1/4  | C.R.S.   | C.R.S.     |
| EL060-55327      | D1260E    | 2     | 3/4   | 1/4  | C.R.S.   | C.R.S.     |
| EL060-55300      | —         | 2     | 3/4   | 1/4  | C.R.S.   | Bryl. Cop. |
| EL060-55520      | D1260AC   | 2     | 1     | 1/4  | C.R.S.   | C.R.S.     |
| EL060-55601      | —         | 2     | 1     | 1/4  | C.R.S.   | Bryl. Cop. |
| EL060-55530      | D1260RT   | 2     | 1     | 1/4  | Brass    | Bryl. Cop. |
| EL060-55927      | D1260GT   | 2     | 1-1/2 | 1/4  | C.R.S.   | C.R.S.     |
| EL060-50321      | D1260BC   | 2-1/8 | 3/4   | 1/4  | C.R.S.   | C.R.S.     |
| EL060-50501      | D1260B    | 2-1/8 | 1     | 1/4  | C.R.S.   | C.R.S.     |
| EL060-50334      | D1260M    | 2-1/4 | 3/4   | 1/4  | C.R.S.   | C.R.S.     |
| EL060-59300      | D1260KC   | 2-3/8 | 3/4   | 1/4  | C.R.S.   | C.R.S.     |
| EL010-56427      | D1260K    | 2-1/2 | 7/8   | 9/32 | Steel    | Nylon      |
| EL010-56334      | DS1260K   | 2-1/2 | 3/4   | 1/4  | Steel    | C.R.S.     |
| EL010-55421      | D1260DF   | 2-1/2 | 1     | 1/4  | C.R.S.   | C.R.S.     |
| EL060-56500      | D1260RR   | 2-1/2 | 1     | 1/4  | Brass    | Bryl. Cop. |
| EL060-56920      | D1260CP   | 2-1/2 | 1-1/2 | 1/4  | C.R.S.   | C.R.S.     |
| EL060-50322      | D1260BD   | 2-3/4 | 3/4   | 1/4  | C.R.S.   | C.R.S.     |
| EL060-57300      | —         | 2-3/4 | 3/4   | 1/4  | C.R.S.   | Bryl. Cop. |
| EL010-58300      | —         | 3     | 3/4   | 1/4  | Steel    | Bryl. Cop. |
| EL010-58337      | DS1260L   | 3     | 3/4   | 1/4  | Steel    | C.R.S.     |
| EL060-58305      | —         | 3     | 3/4   | 1/4  | Brass    | Bryl. Cop. |
| EL010-58400      | —         | 3     | 7/8   | 9/32 | Steel    | Bryl. Cop. |
| EL010-58423      | D1260L    | 3     | 7/8   | 9/32 | Steel    | Nylon      |
| EL010-58451      | —         | 3     | 7/8   | 9/32 | Steel    | C.R.S.     |
| EL060-58401      | —         | 3     | 7/8   | 9/32 | Brass    | Nylon      |
| EL060-58403      | D1260VQ   | 3     | 7/8   | 9/32 | S.S.     | Bryl. Cop. |
| EL010-58521      | D1260CJ   | 3     | 1     | 1/4  | Steel    | C.R.S.     |
| EL010-58522      | —         | 3     | 1     | 1/4  | C.R.S.   | Bryl. Cop. |
| EL010-58923      | D1260CN   | 3     | 1-1/4 | 1/4  | Steel    | C.R.S.     |
| EL060-58923      | —         | 3     | 1-1/4 | 1/4  | Brass    | Steel      |
| EL010-58900      | D1260VR   | 3     | 1-1/2 | 1/4  | Steel    | Nylon      |
| EL010-58920      | D1260AE   | 3     | 1-1/2 | 1/4  | Steel    | C.R.S.     |
| EL060-58320      | D1260BB   | 3-1/2 | 3/4   | 1/4  | C.R.S.   | C.R.S.     |
| EL060-58431      | D1260AP   | 3-1/2 | 1     | 1/4  | C.R.S.   | C.R.S.     |
| EL060-58932      | —         | 3-1/2 | 3/4   | 1/4  | Brass    | Bryl. Cop. |
| EL060-58930      | —         | 3-1/2 | 1-1/2 | 1/4  | Brass    | Bryl. Cop. |
| EL060-58326      | D1260C    | 4     | 3/4   | 1/4  | C.R.S.   | C.R.S.     |
| EL060-58304      | D1260WD   | 4     | 3/4   | 1/4  | C.R.S.   | Bryl. Cop. |
| EL060-50523      | D1260BL   | 4     | 1     | 1/4  | C.R.S.   | C.R.S.     |
| EL060-58925      | —         | 4     | 1-1/4 | 1/4  | Brass    | Bryl. Cop. |
| EL060-58920      | D1260AB   | 4     | 1-1/2 | 1/4  | C.R.S.   | C.R.S.     |
| EL060-58901      | —         | 4     | 1-1/2 | 9/32 | C.R.S.   | Nylon      |
| EL060-50335      | D1260N    | 5     | 3/4   | 1/4  | C.R.S.   | C.R.S.     |
| EL060-50925      | D1260BW   | 5     | 1-1/2 | 1/4  | C.R.S.   | C.R.S.     |
| EL060-50305      | D1260CQ   | 6     | 3/4   | 1/4  | C.R.S.   | C.R.S.     |
| EL060-50338      | —         | 6     | 3/4   | 1/4  | C.R.S.   | Bryl. Cop. |
| EL060-50930      | D1260JE   | 6     | 1-1/4 | 1/4  | C.R.S.   | C.R.S.     |
| EL060-50703      | D1260KD   | 6     | 3     | 1/4  | C.R.S.   | C.R.S.     |

All dimensions are in inches.



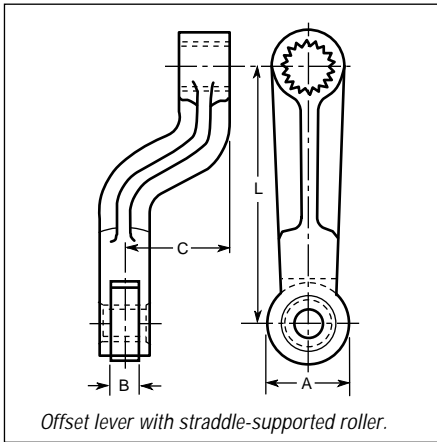
Namco Controls Corporation

Mayfield Village, OH 44143

(440) 460-1360 • FAX (440) 460-3800 • namcocontrols.com

For technical assistance, call 1-800-NAMTECH

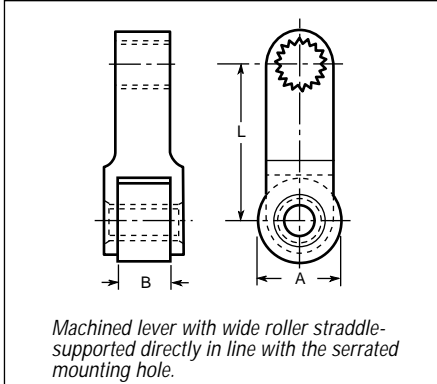
For Series EA040, 060, 080, 130,  
140, 170, 700, 710, 730, 760,  
770, 780, 790, 800, 880, 990 Only



## Style RLO - Regular Lever Offset Type

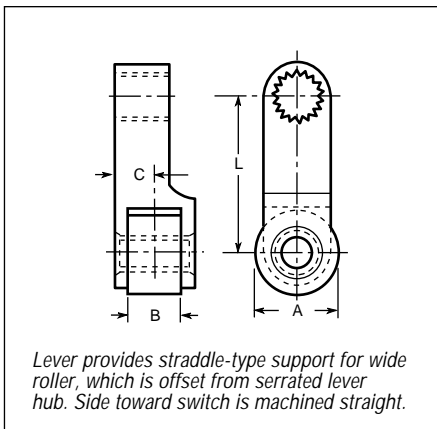
| Ordering Numbers |           |       |       |     |        | Material  |        |
|------------------|-----------|-------|-------|-----|--------|-----------|--------|
| Part Number      | Reference | L     | A     | B   | C      | Lever     | Roller |
| *EL020-53326     | D1260GX   | 1-1/2 | 3/4   | 1/4 | 1-1/4  | Mang. Br. | Steel  |
| *EL020-53325     | D1260GU   | 1-1/2 | 3/4   | 1/4 | 1-3/16 | Mang. Br. | Steel  |
| EL020-55327      | D1260HZ   | 2     | 3/4   | 1/4 | 1-1/8  | Mang. Br. | Steel  |
| *EL020-55300     | D1260JD   | 2     | 3/4   | 1/4 | 1-1/2  | Mang. Br. | Steel  |
| EL020-56320      | D1260BT   | 2-1/2 | 3/4   | 1/4 | 1      | Mang. Br. | Steel  |
| *EL020-56321     | D1260DW   | 2-1/2 | 3/4   | 1/4 | 2-1/4  | Mang. Br. | Steel  |
| EL020-56421      | D1260DG   | 2-1/2 | 1     | 1/4 | 1      | Mang. Br. | Steel  |
| EL020-58922      | D1260FT   | 3     | 1-1/4 | 1/4 | 1-1/4  | Mang. Br. | Steel  |
| EL020-58923      | —         | 3     | 1-1/4 | 1/4 | 1-1/4  | Mang. Br. | S.S.   |
| EL020-59900      | D1260AY   | 5-1/2 | 1-1/2 | 1/4 | 1-3/4  | C.R.S.    | Steel  |

\*On Series EA040/060/080/170, Lever will not clear top of switch when mounted with Roller facing the rear.



## Style RW - Wide Roller Regular Type

| Ordering Numbers |           |       |       |     | Material |            |
|------------------|-----------|-------|-------|-----|----------|------------|
| Part Number      | Reference | L     | A     | B   | Lever    | Roller     |
| EL070-53501      | D1260AJ   | 1-1/2 | 1     | 1/2 | C.R.S.   | Bryl. Cop. |
| EL070-50507      | D1260CY   | 1-5/8 | 1     | 1/2 | C.R.S.   | Bryl. Cop. |
| EL070-56921      | D1260DY   | 2-1/2 | 1-1/4 | 1/2 | C.R.S.   | Steel      |
| EL060-00024      | D1260AL   | 3     | 1-1/2 | 1/2 | C.R.S.   | Steel      |
| EL070-50921      | D1260BE   | 4     | 1-1/4 | 1/2 | C.R.S.   | Steel      |

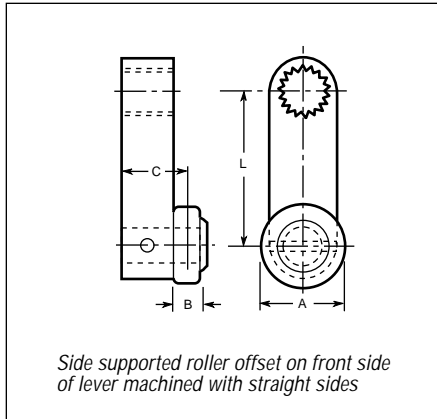


## Style RWO - Wide Roller Offset Type

| Ordering Numbers |           |       |       |     |     | Material  |            |
|------------------|-----------|-------|-------|-----|-----|-----------|------------|
| Part Number      | Reference | L     | A     | B   | C   | Lever     | Roller     |
| EL080-53329      | D1260R    | 1-1/2 | 3/4   | 1/2 | 3/8 | Mang. Br. | Steel      |
| EL080-53932      | D1260P    | 1-1/2 | 1-1/2 | 1/2 | 3/8 | C.R.S.    | Steel      |
| EL080-55323      | D1260FR   | 2     | 3/4   | 1/2 | 3/8 | C.R.S.    | Steel      |
| EL080-54905      | D1260DD   | 2     | 1-1/2 | 1/2 | 3/8 | C.R.S.    | C.R.S.     |
| EL080-56301      | D1260AH   | 2-1/2 | 3/4   | 1/2 | 3/8 | C.R.S.    | Steel      |
| EL080-56305      | —         | 2-1/2 | 3/4   | 1/2 | 3/8 | C.R.S.    | Bryl. Cop. |
| EL080-58322      | D1260GN   | 3     | 3/4   | 1/2 | 3/8 | C.R.S.    | Steel      |
| EL080-58901      | D1260DE   | 3     | 1-1/2 | 1/2 | 3/8 | C.R.S.    | Steel      |
| EL080-58906      | D1260DZ   | 3-1/2 | 1-1/2 | 1/2 | 3/8 | C.R.S.    | Steel      |
| EL080-58909      | D1260HA   | 4     | 1-1/2 | 1/2 | 3/8 | C.R.S.    | Steel      |
| EL080-50924      | D1260BS   | 6     | 1-1/2 | 1/2 | 3/8 | C.R.S.    | Steel      |

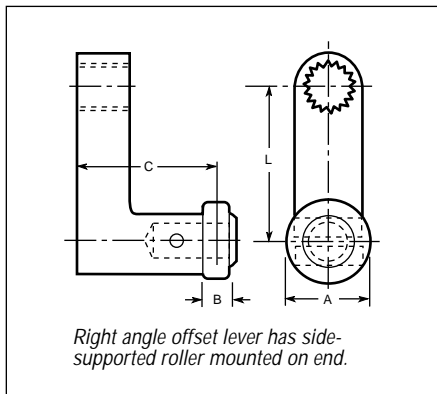
For Series EA040, 060, 080, 130,  
140, 170, 700, 710, 730, 760,  
770, 780, 790, 800, 880, 990 Only

EL Series



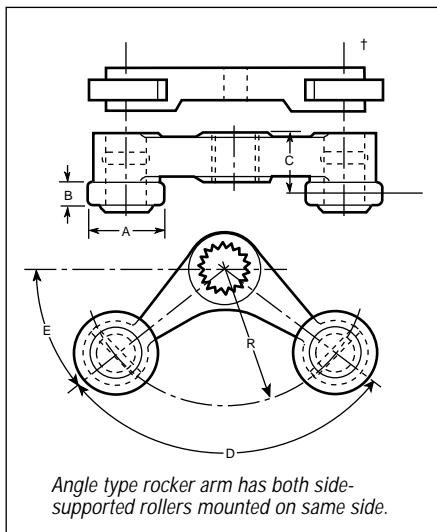
### Style S - Side Roller Type

| Ordering Numbers |           |       |       |     |     | Material |            |  |
|------------------|-----------|-------|-------|-----|-----|----------|------------|--|
| Part Number      | Reference | L     | A     | B   | C   | Lever    | Roller     |  |
| EL150-53303      | —         | 1-1/2 | 3/4   | 3/4 | 7/8 | C.R.S.   | Bryl. Cop. |  |
| EL150-53301      | D1260A    | 1-1/2 | 3/4   | 1/4 | 5/8 | C.R.S.   | Steel      |  |
| EL150-53300      | D1260DU   | 1-1/2 | 3/4   | 3/4 | 7/8 | C.R.S.   | Steel      |  |
| EL150-53901      | D1260HV   | 1-1/2 | 1-1/4 | 1/4 | 5/8 | C.R.S.   | Steel      |  |
| EL150-55300      | —         | 2     | 3/4   | 1/2 | 3/4 | C.R.S.   | Bryl. Cop. |  |
| EL150-55303      | D1260DT   | 2     | 3/4   | 1/4 | 5/8 | C.R.S.   | Steel      |  |
| EL150-55301      | D1260JJ   | 2     | 3/4   | 1/2 | 3/4 | C.R.S.   | C.R.S.     |  |
| EL150-56300      | D1260DX   | 2-1/2 | 3/4   | 1/4 | 5/8 | C.R.S.   | C.R.S.     |  |
| EL150-56500      | —         | 2-1/2 | 1     | 1/2 | 3/4 | C.R.S.   | S.S.       |  |
| EL150-57300      | D1260DO   | 2-3/4 | 3/4   | 1/4 | 5/8 | C.R.S.   | C.R.S.     |  |
| EL150-58901      | —         | 4     | 1-1/4 | 1/4 | 5/8 | Bronze   | Nylon      |  |
| EL150-58902      | —         | 4     | 1-1/4 | 1/4 | 5/8 | Bronze   | Steel      |  |



### Style SLO - Side Roller Lever Offset Type

| Ordering Numbers |           |       |     |     |       | Material |            |  |
|------------------|-----------|-------|-----|-----|-------|----------|------------|--|
| Part Number      | Reference | L     | A   | B   | C     | Lever    | Roller     |  |
| EL090-53324      | D1260GZ   | 1-1/2 | 3/4 | 1/4 | 1     | Bronze   | Steel      |  |
| EL090-53336      | —         | 1-1/2 | 3/4 | 1/4 | 1-3/8 | Bronze   | Nylon      |  |
| EL090-53321      | D1260CT   | 1-1/2 | 3/4 | 1/4 | 1-3/8 | Bronze   | Steel      |  |
| EL090-53322      | —         | 1-1/2 | 3/4 | 1/4 | 1-3/8 | Bronze   | Bryl. Cop. |  |
| EL090-53328      | D1260GV   | 1-1/2 | 3/4 | 1/4 | 2     | Bronze   | Steel      |  |



### Style TS - Two Roller Same Side

| Ordering Numbers |           |       |       |     |     |         | Material |        |            |
|------------------|-----------|-------|-------|-----|-----|---------|----------|--------|------------|
| Part Number      | Reference | R     | A     | B   | C   | D       | E        | Lever  | Roller     |
| EL040-50327      | D1260CM   | 1-3/8 | 3/4   | 1/4 | 5/8 | 107°34' | 36°      | Bronze | Steel      |
| EL040-50328      | D1260JQ   | 1-3/8 | 3/4   | 1/2 | 3/4 | 107°34' | 36°      | Bronze | Steel      |
| †EL040-58904     | D1260JH   | 3     | 1-1/2 | 1/2 | 3/4 | 150°    | 15°      | Bronze | Steel      |
| †EL040-58905     | —         | 3     | 1-1/2 | 1/2 | 3/4 | 150°    | 15°      | Bronze | Bryl. Cop. |

**NAMCO**

Namco Controls Corporation

Mayfield Village, OH 44143

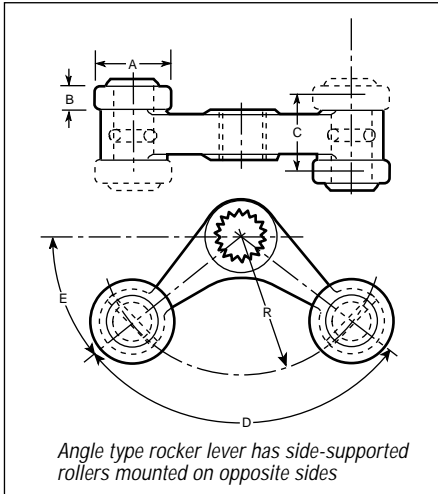
(440) 460-1360 • FAX (440) 460-3800 • namcocontrols.com

For technical assistance, call 1-800-NAMTECH

Limit Switches

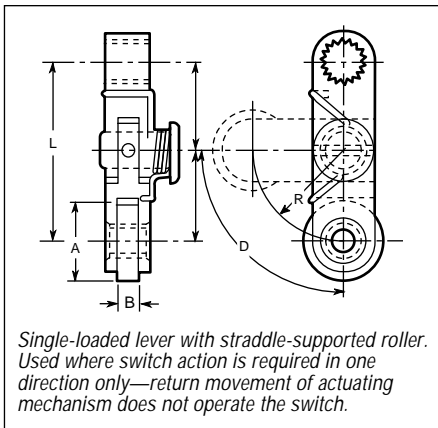


For Series EA040, 060, 080, 130,  
140, 170, 700, 710, 730, 760,  
770, 780, 790, 800, 880, 990 Only



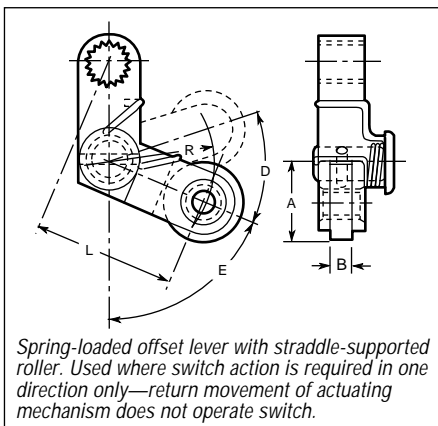
### Style TSO - Two Roller Opposite Side

| Ordering Numbers |           |       |     |     |       |         |        | Material |        |
|------------------|-----------|-------|-----|-----|-------|---------|--------|----------|--------|
| Part Number      | Reference | R     | A   | B   | C     | D       | E      | Lever    | Roller |
| EL030-50301      | D1260AA   | 1-3/8 | 3/4 | 1/4 | 3/4   | 107°34' | 36°13' | Bronze   | Steel  |
| EL030-50302      | D1260DH   | 1-3/8 | 3/4 | 1/2 | 1     | 107°34' | 36°13' | Bronze   | Steel  |
| EL030-52322      | D1260DQ   | 1-1/2 | 3/4 | 3/4 | 1-1/4 | 90°     | 45°    | Bronze   | Steel  |



### Style KR - Knee Action Straight Type

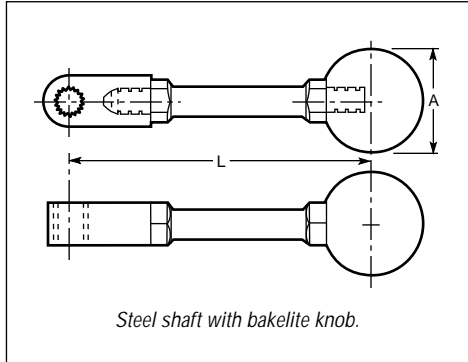
| Ordering Numbers |           |   |     |     |     |   | Material |            |
|------------------|-----------|---|-----|-----|-----|---|----------|------------|
| Part Number      | Reference | R | A   | B   | D   | L | Lever    | Roller     |
| EL100-55401      | D1260JM   | 1 | 7/8 | 1/4 | 90° | 2 | Steel    | Steel      |
| EL100-55402      | —         | 1 | 7/8 | 1/4 | 90° | 2 | Steel    | Bryl. Cop. |
| EL100-55403      | —         | 1 | 7/8 | 1/4 | 90° | 2 | Steel    | S.S.       |



### Style KRO - Knee Action Offset Type

| Ordering Numbers |           |       |     |     |        |        | Material |       |        |
|------------------|-----------|-------|-----|-----|--------|--------|----------|-------|--------|
| Part Number      | Reference | R     | A   | B   | D      | E      | L        | Lever | Roller |
| EL110-50401      | D1260JV   | 1-1/8 | 7/8 | 1/4 | 41°30' | 67°30' | 1-7/8    | Steel | Steel  |

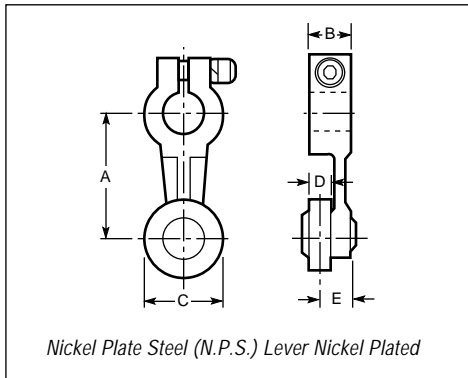
For Series EA040, 060, 080, 130,  
140, 170, 700, 710, 730, 760,  
770, 780, 790, 800, 880, 990 Only



## Style M - Manual Type

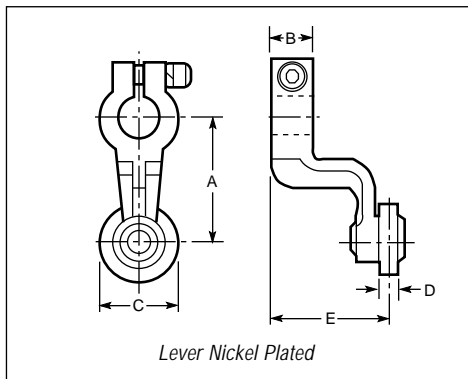
| Ordering Numbers |           |        |       | Material |          |
|------------------|-----------|--------|-------|----------|----------|
| Part Number      | Reference | L      | A     | Lever    | Knob     |
| EL050-58900      | D1260EP-3 | 3      | 1-3/8 | Steel    | Bakelite |
| EL050-59901      | D1260EP-1 | 4-1/16 | 1-3/8 | Steel    | Bakelite |
| EL050-59900      | D1260EP   | 6-5/16 | 1-3/8 | Steel    | Bakelite |

For Series EA700, 710, 730, 760,  
770, 780, 790, 800, 880, 990 Only



## Straight

| Ordering Numbers |           |       |     |     |      | Material |       |        |
|------------------|-----------|-------|-----|-----|------|----------|-------|--------|
| Part Number      | Reference | A     | B   | C   | D    | E        | Lever | Roller |
| EL010-62401      | SL-160    | 1-1/2 | 1/2 | 7/8 | 9/32 | 25/64    | Zinc  | Steel  |
| EL010-63414      | SL-160K   | 1-1/2 | 1/2 | 7/8 | 9/32 | 25/64    | Zinc  | S.S.   |
| EL010-63415      | SL-160N   | 1-1/2 | 1/2 | 7/8 | 9/32 | 25/64    | Zinc  | Nylon  |



## Offset

| Ordering Numbers |           |       |     |     |      | Material |       |        |
|------------------|-----------|-------|-----|-----|------|----------|-------|--------|
| Part Number      | Reference | A     | B   | C   | D    | E        | Lever | Roller |
| EL020-63412      | SL-160C   | 1-1/2 | 1/2 | 7/8 | 9/32 | 1-7/16   | Zinc  | Steel  |
| EL020-63414      | SL-160L   | 1-1/2 | 1/2 | 7/8 | 9/32 | 1-7/16   | Zinc  | Nylon  |
| EL020-63415      | SL-160S   | 1-1/2 | 1/2 | 7/8 | 9/32 | 1-7/16   | Zinc  | S.S.   |

# NAMCO

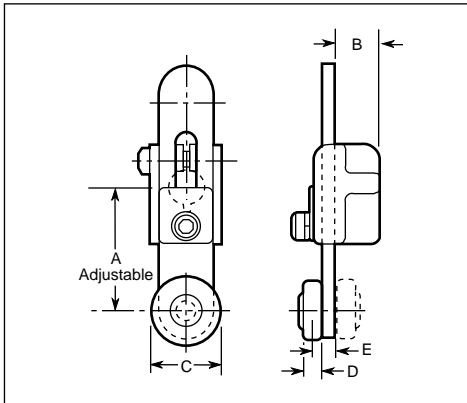
Namco Controls Corporation

Mayfield Village, OH 44143

(440) 460-1360 • FAX (440) 460-3800 • namcocontrols.com

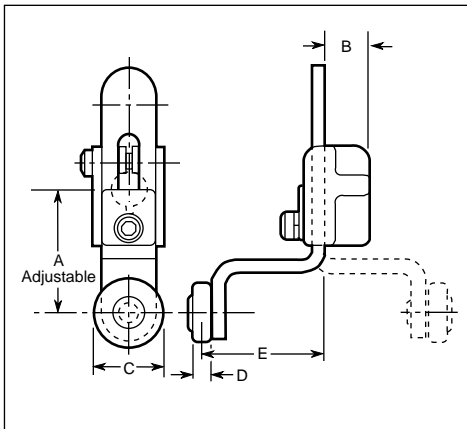
For technical assistance, call 1-800-NAMTECH

For Series EA700, 710, 730, 760,  
770, 780, 790, 800, 880, 990 Only



### Adjustable Straight

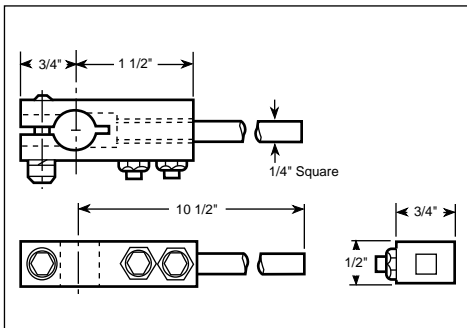
| Ordering Numbers |           |         |       |     |      |       | Material |        |  |
|------------------|-----------|---------|-------|-----|------|-------|----------|--------|--|
| Part Number      | Reference | A       | B     | C   | D    | E     | Lever    | Roller |  |
| EL120-60400      | SL-170A   | 1-3/4-3 | 21/32 | 7/8 | 9/32 | 11/32 | Steel    | Steel  |  |
| EL120-60600      | SL-170C   | 1-7/8-3 | 21/32 | 2   | 9/32 | 11/32 | Steel    | Steel  |  |
| EL120-69415      | SL-170K   | 1-3/4-3 | 21/32 | 7/8 | 9/32 | 11/32 | Steel    | Nylon  |  |
| EL120-69421      | SL-170R   | 3-3/4-5 | 21/32 | 7/8 | 9/32 | 11/32 | Steel    | Steel  |  |
| EL120-60601      | —         | 3-3/4-5 | 21/32 | 2   | 9/32 | 11/32 | Steel    | Steel  |  |



### Adjustable Offset

| Ordering Numbers |           |         |       |     |       |         | Material |        |  |
|------------------|-----------|---------|-------|-----|-------|---------|----------|--------|--|
| Part Number      | Reference | A       | B     | C   | D     | E       | Lever    | Roller |  |
| EL130-64410      | SL-170    | 1-3/4-3 | 21/32 | 7/8 | 9/32  | 1-25/32 | Steel    | Steel  |  |
| EL130-69410      | SL-170D   | 1-3/4-3 | 21/32 | 7/8 | 9/32  | 1-25/32 | Steel    | Nylon  |  |
| EL130-69412      | SL-170F   | 1-3/4-3 | 21/32 | 7/8 | 9/32  | 2-3/8   | Steel    | Steel  |  |
| EL130-69413      | SL-170G   | 1-3/4-3 | 21/32 | 7/8 | 9/32  | 3-1/2   | Steel    | Steel  |  |
| EL130-69414      | SL-170J   | 1-3/4-3 | 21/32 | 7/8 | 9/32  | 15/16   | Steel    | Steel  |  |
| *EL130-69411     | SL-170E   | 1-3/4-3 | 21/32 | 7/8 | 9/32  | 1-9/32  | Steel    | Steel  |  |
| EL130-20401      | —         | 1-3/4-3 | 21/32 | 7/8 | 17/64 | 3-1/2   | Steel    | Nylon  |  |

\*Roller mounted on opposite side

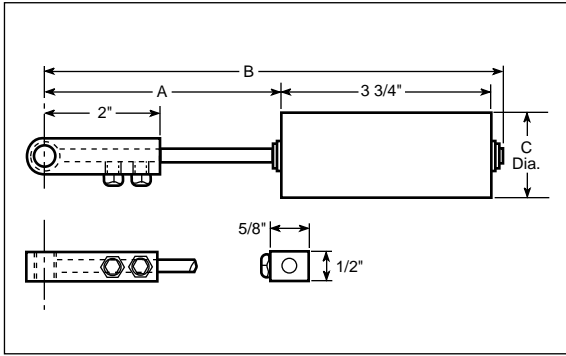


### Rod Lever

| Ordering Numbers |           |  |           |
|------------------|-----------|--|-----------|
| Part Number      | Reference | Dimensions                                       | Material  |
| EL140-69917      | SL170M-1  | Other rod lengths available to suit requirements | Steel Rod |

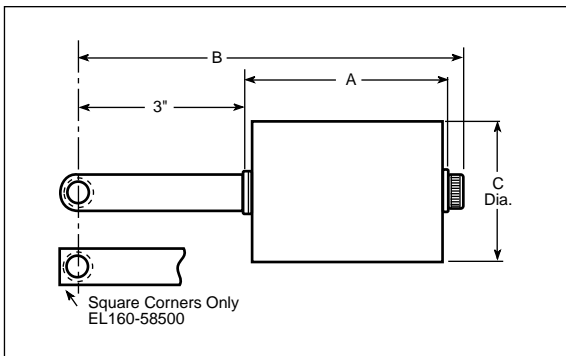
# EL Series

For Series EA040, 060, 080, 130,  
140, 170, 700, 710, 730, 760, 770,  
780, 790, 800, 880, 990 Only



## Style VR - Belt Mis-Alignment Lever-Adjustable

| Ordering Number | "A"          | "B"   | "C"   | Material |        |
|-----------------|--------------|-------|-------|----------|--------|
|                 | (Adjustable) | Max.  | Dia.  | Lever    | Roller |
| EL140-58500     | 4.45/3.82"   | 8.38" | 1.50" | Steel    | Delrin |
| EL140-58600     | 4.45/3.82"   | 8.38" | 2.50" | Steel    | Delrin |



## Style YR - Belt Mis-Alignment Lever

| Ordering Number | "A"   | "B"   | "C"   | Material |        |
|-----------------|-------|-------|-------|----------|--------|
|                 |       | Max.  | Dia.  | Lever    | Roller |
| EL160-58500     | 2.24" | 5.64" | 1.25" | Steel    | Nylon  |
| EL160-58600     | 3.50" | 6.90" | 2.50" | Steel    | Nylon  |

Limit Switches

# NAMCO

Namco Controls Corporation

Mayfield Village, OH 44143

(440) 460-1360 • FAX (440) 460-3800 • [namcocontrols.com](http://namcocontrols.com)

For technical assistance, call 1-800-NAMTECH