

Nelson's ALT Series aluminum connection kits are Factory Mutual, Underwriters Laboratory and Canadian Standards Association approved for use in ordinary and Division 2 hazardous areas when used with approved Nelson heating cables. ALT Series connection kits are approved for use with all Nelson LT, HLT and NC Series field-fabricated heating cables. Enclosures supplied in ALT Series connection kits are rated NEMA 4, 7, 9.

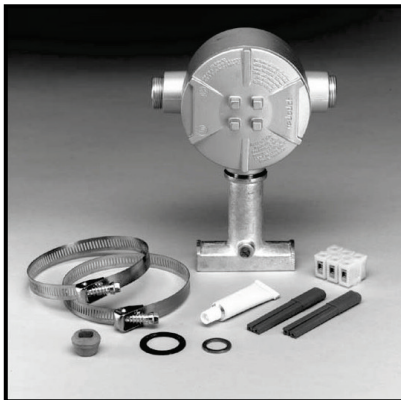


ALT-BC Power Connection Kit:

The ALT-BC Power Connection Kit is suitable for connecting up to two heating cables to customer supplied power wiring.

Kit Contents:

- 1 Universal Base, Sealing Gasket, and Compression Washer
- 1 Junction Box with Sealing Gasket and Cover
- 1 Sealing Grommet (Specify Cable Construction*)
- 1 Power Termination and Cable End Seal with Adhesive Sealant
- 1 3-Point Floating Terminal Block
- 2 Stainless Steel Pipe Clamps (Specify Pipe Size)
- * Selection of -U grommet includes (1) additional power termination and (1) additional end seal for multiple cable entry.

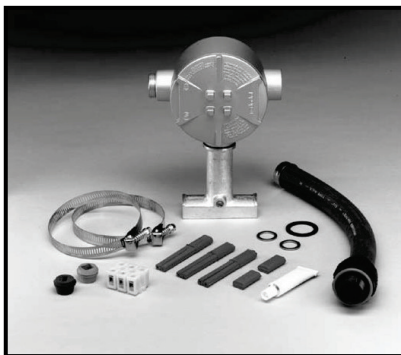


ALT-BS Splice Connection Kit:

The ALT-BS Splice Connection Kit is designed for connecting two heating cables in an in-line splice configuration.

Kit Contents:

- 1 Universal Base, Sealing Gasket, and Compression Washer
- 1 Junction Box with Sealing Gasket and Cover
- 1 Sealing Grommet
- 2 Power Terminations with Adhesive Sealant
- 1 3-Point Floating Terminal Block
- 2 Stainless Steel Pipe Clamps (Specify Pipe Size)



ALT-BY Tee Connection Kit:

The ALT-BY Tee Connection Kit is designed for connecting three heating cables in a tee splice configuration.

Kit Contents:

- 1 Universal Base and Sealing Gasket
- 2 Compression Washers
- 1 Junction Box with Sealing Gasket and Cover
- 1 Watertight Connection Fitting and Hi-Temp Flexible Tubing
- 2 Sealing Grommets (Specify Cable Construction)
- * Power Terminations and Cable End Seals with Adhesive Sealant
- 1 3-Point Floating Terminal Block
- 2 Stainless Steel Pipe Clamps (Specify Pipe Size)
- * Number of cable terminations based on standard usage of tee splice configuration; (3) power terminations and (2) end seals.

Nelson's ALT Series aluminum connection kits include all components necessary to complete the installation of Nelson's full line of heat tracing cables. The selection tables below allow for the proper specifying of the complete connection kit assembly (example: ALT-BC-J-12).

ALT-

| | | | | |
|-------------------------------------|---|----------------------------------|--|--|
| | | | 3 12 20 | SPECIFY PIPE SIZE |
| | | | | .75 – 3.0 3.5 – 12.0 12.5 – 20.0 |
| | | B J U | SPECIFY CABLE CONSTRUCTION | |
| | | | Braided Heater Overjacketed Heater Multiple (2) Cable Entry or Special Heater Constructions | |
| BC BS BY | SPECIFY KIT CONFIGURATION | | | |
| | Power Connection Splice Connection Tee Connection | | | |

Nelson Heat Tracing Systems products are supplied with a limited warranty. Complete Terms and Conditions may be found on Nelson's website at www.nelsonheaters.com.



ALT-LP Connection Kit:

The ALT-LP Connection Kit is suitable for connecting up to two heating cables to customer supplied power wiring or as an in-line splice configuration utilizing a customer supplied junction box.¹

Kit Contents:

- 1 Universal Base, Box Adapter, Sealing Gasket and Locknut
- 1 Sealing Grommet (Specify Cable Construction)



ALT-LPM Connection Kit:

The ALT-LPM Connection Kit is suitable for connecting up to two heating cables to customer supplied power wiring or as in an in-line splice configuration utilizing a customer supplied junction box.¹ This kit differs from the ALT-LP in that it also contains molded silicone cable terminations and the standard terminal block.

Kit Contents:

- 1 Universal Base, Box Adapter, Sealing Gasket and Locknut
- 1 Sealing Grommet (Specify Cable Construction*)
- 1 Power Termination and Cable End Seal with Adhesive Sealant
- 1 3-Point Floating Terminal Block
- * Selection of -U grommet includes (1) additional power termination and (1) additional end seal for multiple cable entry.



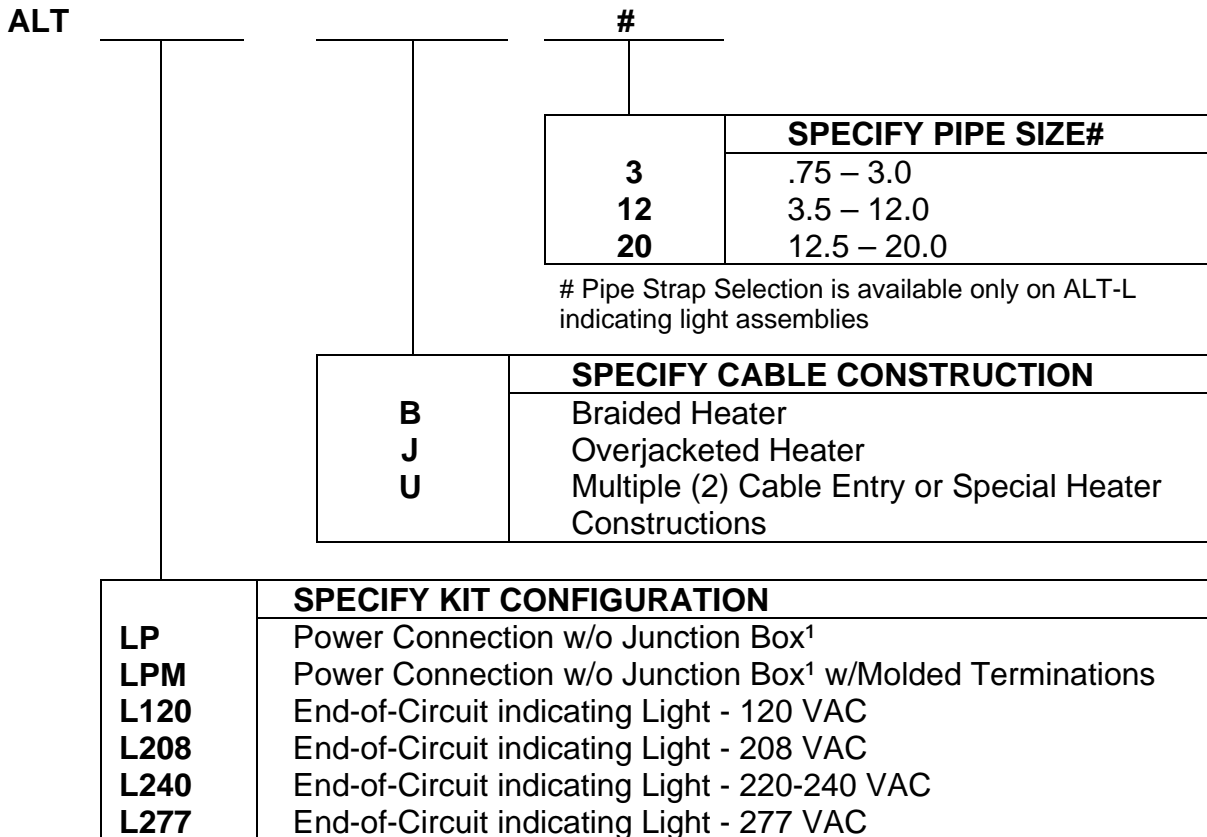
ALT-L Connection Kits:

The ALT-L Connection Kits are designed as end-of-circuit indicating light assemblies utilizing low temperature LED lamps. The -L is selectable for 120/208/240/277VAC operation.

Kit Contents:

- 1 Universal Base, Box Adapter, Sealing Gasket and Locknut
- 1 Junction Box with Sealing Gasket and Cover
- 1 Pilot Light Assembly
- 1 Sealing Grommet (Specify Cable Construction)
- 1 Power Termination with Adhesive Sealant
- 2 Stainless Steel Pipe Clamps (Specify Pipe Size)

Nelson's ALT Series aluminum connection kits include all components necessary to complete the installation of Nelson's full line of heat tracing cables. The selection tables below allow for the proper specifying of the complete connection kit assembly (example: ALT-LPM-J).



¹ Suitable for use with any approved industrial enclosure with a maximum wall thickness of .1875" or conduit outlet/junction box with .75" threaded hubs.

Nelson Heat Tracing Systems products are supplied with a limited warranty. Complete Terms and Conditions may be found on Nelson's website at www.nelsonheaters.com.