

G4 JUMPER STRAPS

Features

- > Simplifies wiring
- > Insulated coating
- > Can be cut to size



G4 Jumper Strap

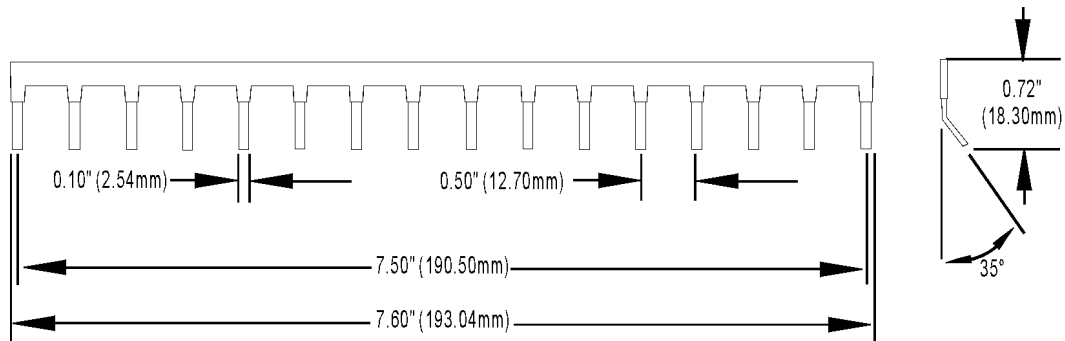
G4 JUMPER STRAPS

Jumper straps are used in applications that require a common connection between each I/O module position.

The G4STRAP can be used on all G4 I/O mounting racks. It comes with either a red or black insulated coating. The maximum current the strap can carry is 20 A.

Part numbers are for a pack of 10 jumper straps.

DIMENSIONS



Part Numbers

Part	Description
G4STRAPB	G4 16-Position Strap for Single Rack, Red (10-Pack)
G4STRAPB-BLACK	G4 16-Position Strap for Single Rack, Black (10-Pack)

