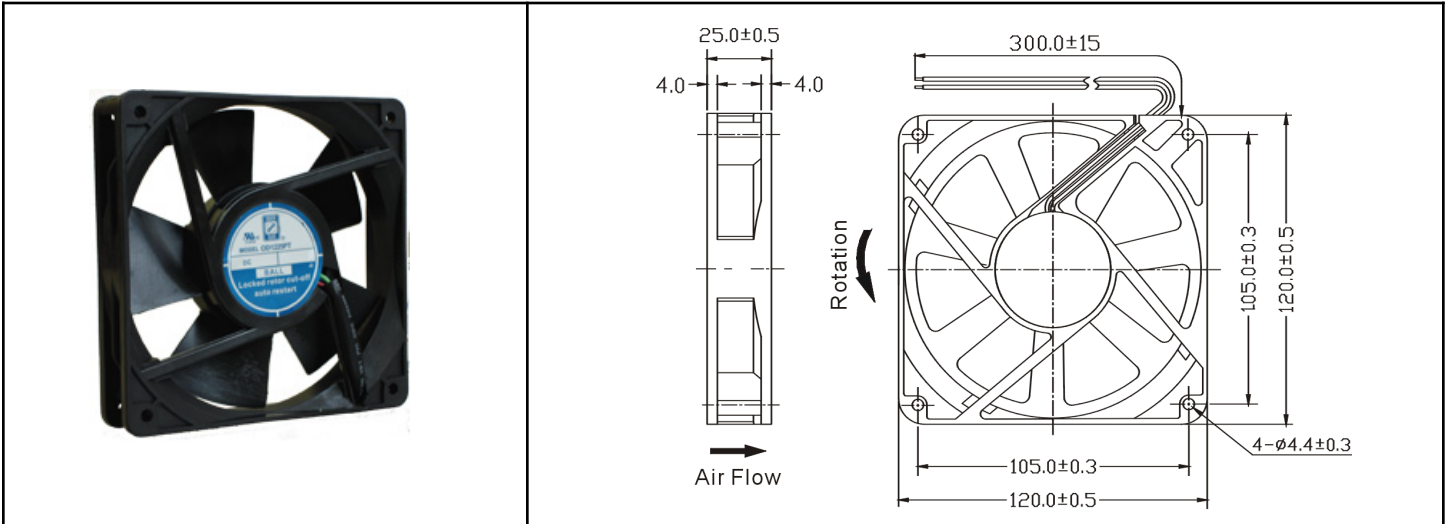


OD1225 Series



DC Fan - 12, 24, 48V
120x25mm (4.7"x 1.0")



Frame & Impeller	PBT, UL94V-O plastic	Available Options: Tachometer (FG) Alarm (RD) <u>Life Expectancy (L10)</u> Ball Bearing 60,000 hours (L10 at 40C) Sleeve Bearing 30,000 hours (L10 at 40C) <u>Operating Temperature</u> Ball Bearing -20C ~ +80C Sleeve Bearing -10C ~ +50C	<p>The graph plots Static Pressure (inches of H2O) on the y-axis (0.00 to 0.25) against Airflow (CFM) on the x-axis (0 to 90). Multiple curves represent different fan models, showing that static pressure decreases as airflow increases.</p>
Connection	2x Lead wires or Terminals		
Motor	Brushless DC, auto restart, polarity protected		
Bearing System	Dual Ball or Sleeve		
Insulation Resistance	10M ohm between leadwire and frame (500VDC)		
Dielectric Strength	1 second at 500 VAC, max leakage - 500 MicroAmp		
Storage Temperature	-30C ~ +90C		

Model Number	Speed (RPM)	Airflow (CFM)	Noise (dB)	Volts DC	Voltage Range	Amps	Max. Static Pressure (inH2O)
OD1225-12H *	3000	86	42	12	7~17	0.45	0.24
OD1225-12M *	2500	70	35	12	7~17	0.35	0.19
OD1225-12L *	1800	45	25	12	7~17	0.20	0.15
OD1225-24H *	3000	86	42	24	10~29	0.23	0.24
OD1225-24M *	2500	70	35	24	10~29	0.22	0.19
OD1225-24L *	1800	45	25	24	10~29	0.17	0.15
OD1225-48H *	3000	86	42	48	18~53	0.10	0.24
OD1225-48M *	2500	70	35	48	18~53	0.07	0.19
OD1225-48L *	1800	45	25	48	18~53	0.06	0.15

* Apply one of the following suffixes to indicate preferred power connection and bearing type: "TB" (Terminal, Ball Bearing) or "B" (12" Wire Leads, Ball Bearing) or "TS" (Terminal, Sleeve Bearing) or "S" (12" Wire Leads, Sleeve Bearing)