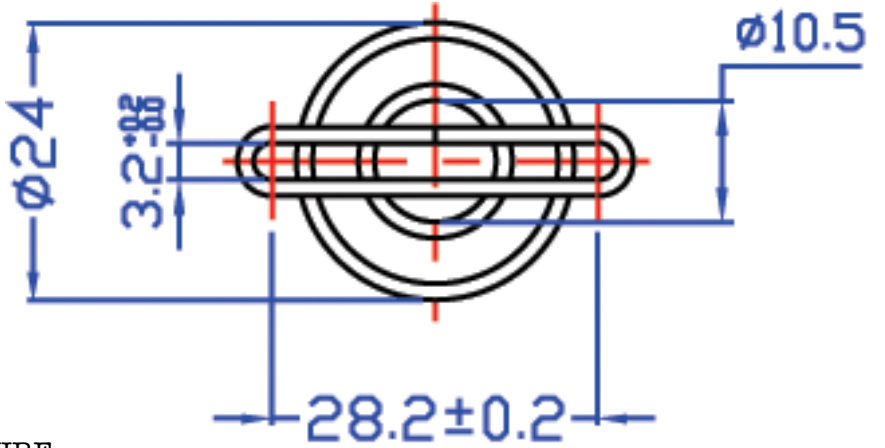
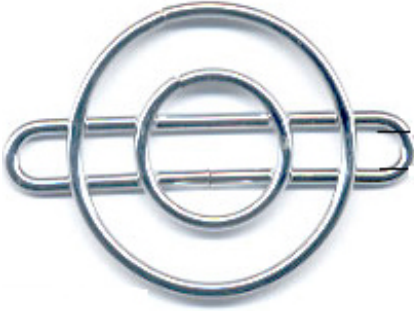


Part No. G25-2



Fan Guard for  
25mm Fan



NOTES:

1. MATERIAL:C1008 BRIGHT BASIC WIRE
2. FINISH: BRIGHT NICKEL CHROME
3. RINGS: 1.4MM DIA / RIBS: 1.4MM DIA
4. WELDS TO WITHSTAND 88LBS PULL FORCE
5. SPACING BETWEEN RINGS: 3.95MM
6. GENERAL TOLERANCE UNLESS NOTED +/-0.5MM
7. PART MEETS 6.35MM PLUG GAUGE TEST
8. UNIT: MM



Part Number	Description
G25-2	25mm fan guard, metal
G25-2/PK	10-Pack G25-2, Boxed