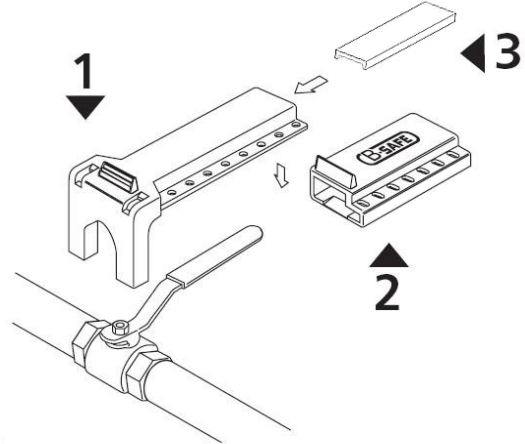


Parts

1. Valve handle cover
2. Multiple lock-out sliding piece
3. Sliding adjusting piece

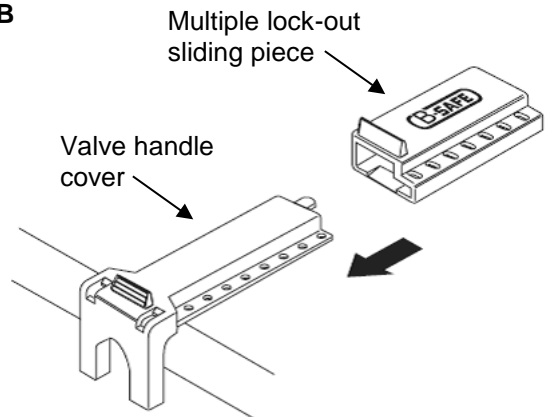
Figure A



Installation

1. Cover the valve handle with the valve handle cover (part 1).
2. For maximum adjustment, depending on the thickness of the valve handle, insert the sliding adjusting piece (part 3).
3. Slide the multiple lock-out sliding piece (part 2) over parts 1 and 3.
4. Apply padlock.

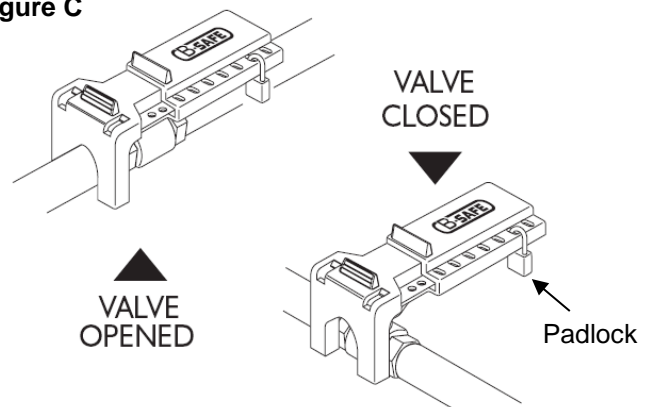
Figure B



Orientation

1. Locked valve in open position.
2. Locked valve in closed position.

Figure C



For Instructions in Local Languages
and Technical Support:

www.panduit.com/resources/install_maintain.asp

PANDUIT

www.panduit.com

E-mail:
techsupport@panduit.com

Phone:
866-405-6654