

For complete HD Flex Fiber Cassette Enclosure installation instructions, visit [www.panduit.com](http://www.panduit.com) and search FS111.

**Table 1**

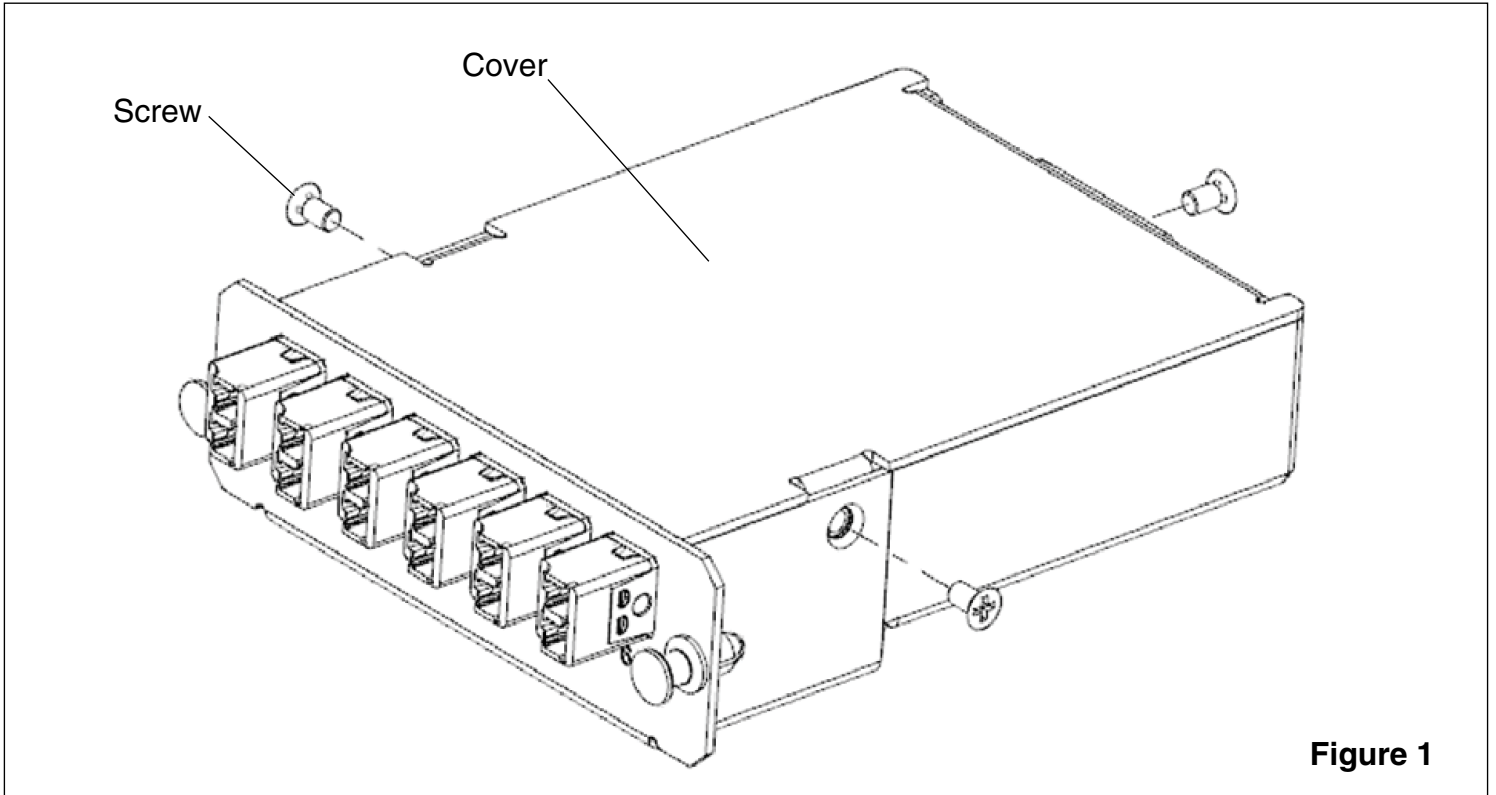
PART NUMBER	DESCRIPTION
FCS9N-12-10R	OPTI-COM™ OS2 SPLICE CASSETTE, DUPLEX LC, PRELOADED WITH 12-FIBER RIBBON PIGTAIL
FSC9N-12-10P	OPTI-COM™ OS2 SPLICE CASSETTE, DUPLEX LC, PRELOADED WITH 12 PIGTAILS
FSC9N-12-LAR	OPTI-COM™ OS2 SPLICE CASSETTE, DUPLEX LC/APC, PRELOADED WITH 12-FIBER RIBBON PIGTAIL
FSC9N-12-LAP	OPTI-COM™ OS2 SPLICE CASSETTE, DUPLEX LC/APC, PRELOADED WITH 12 PIGTAILS
FSCZO-12-10R	OPTI-COM™ OM4 SPLICE CASSETTE, DUPLEX LC, PRELOADED WITH 12-FIBER RIBBON PIGTAIL
FSCZO-12-10P	OPTI-COM™ OM4 SPLICE CASSETTE, DUPLEX LC, PRELOADED WITH 12 PIGTAILS
FSC9N-12-03P	OPTI-COM™ OS2 SPLICE CASSETTE, DUPLEX SC, PRELOADED WITH 12 PIGTAILS
FSC9N-12-SAP	OPTI-COM™ OS2 SPLICE CASSETTE, DUPLEX SC/APC, PRELOADED WITH 12 PIGTAILS
FSCZO-12-03P	OPTI-COM™ OM4 SPLICE CASSETTE, DUPLEX SC, PRELOADED WITH 12 PIGTAILS

**TABLE 2: COMPONENTS**

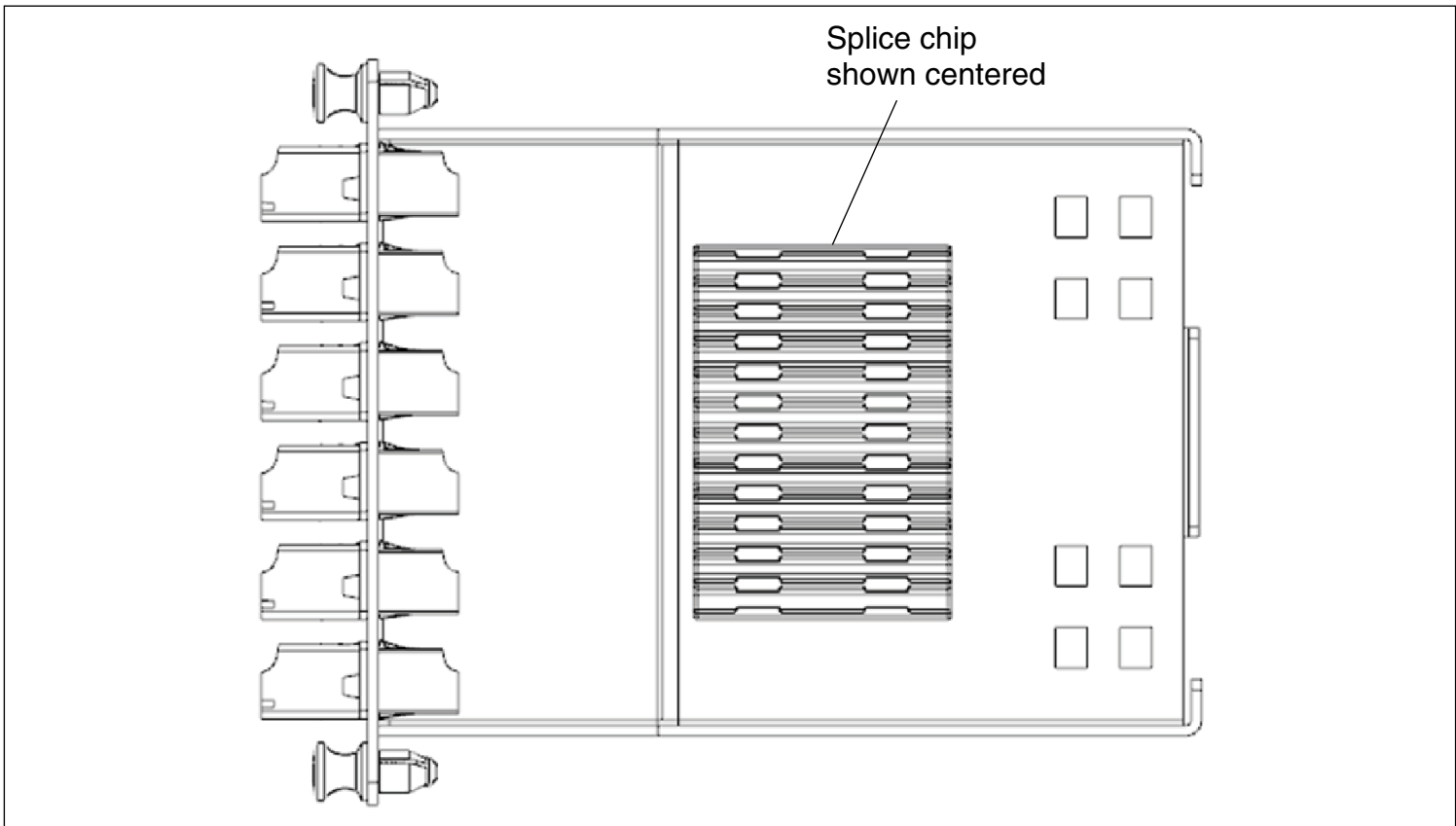
DESCRIPTION	QUANTITY
OPTICOM™ SPLICE CASSETTE BASE	1
OPTI-COM™ SPLICE CASSETTE COVER	1
CASSETTE PERFORMANCE LABEL	1
#6-32 X 1/4" FLAT HEAD PHILLIPS SCREW	3
SPLICE CHIP	1
SPLICE CHIP ADHESIVE TAPE	1
PLT1.5I-M CABLE TIE	2
SPLICE PROTECTOR FOR FIBER	DEPENDENT ON P/N

**WARNING: UNMATED CONNECTORS MAY EMIT INVISIBLE LASER RADIATION. MAINTAIN DUST CAPS ON UNMATED CONNECTORS. CAUTION:** Fiber optic cable is sensitive to excess pulling, bending, and crushing forces. Consult the manufacturer's cable specifications sheet for specific cable to use.

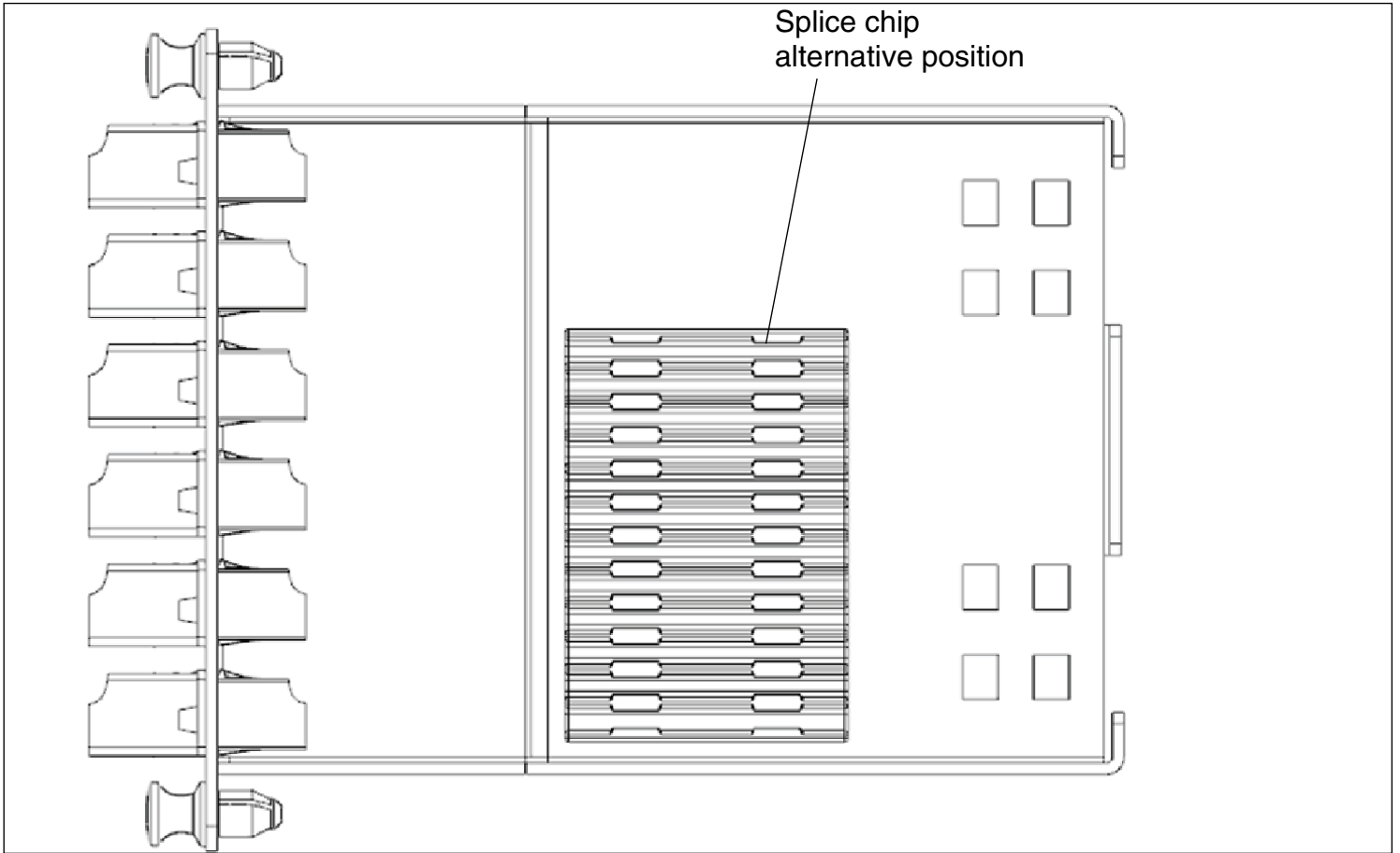
Remove 3 screws and cover.



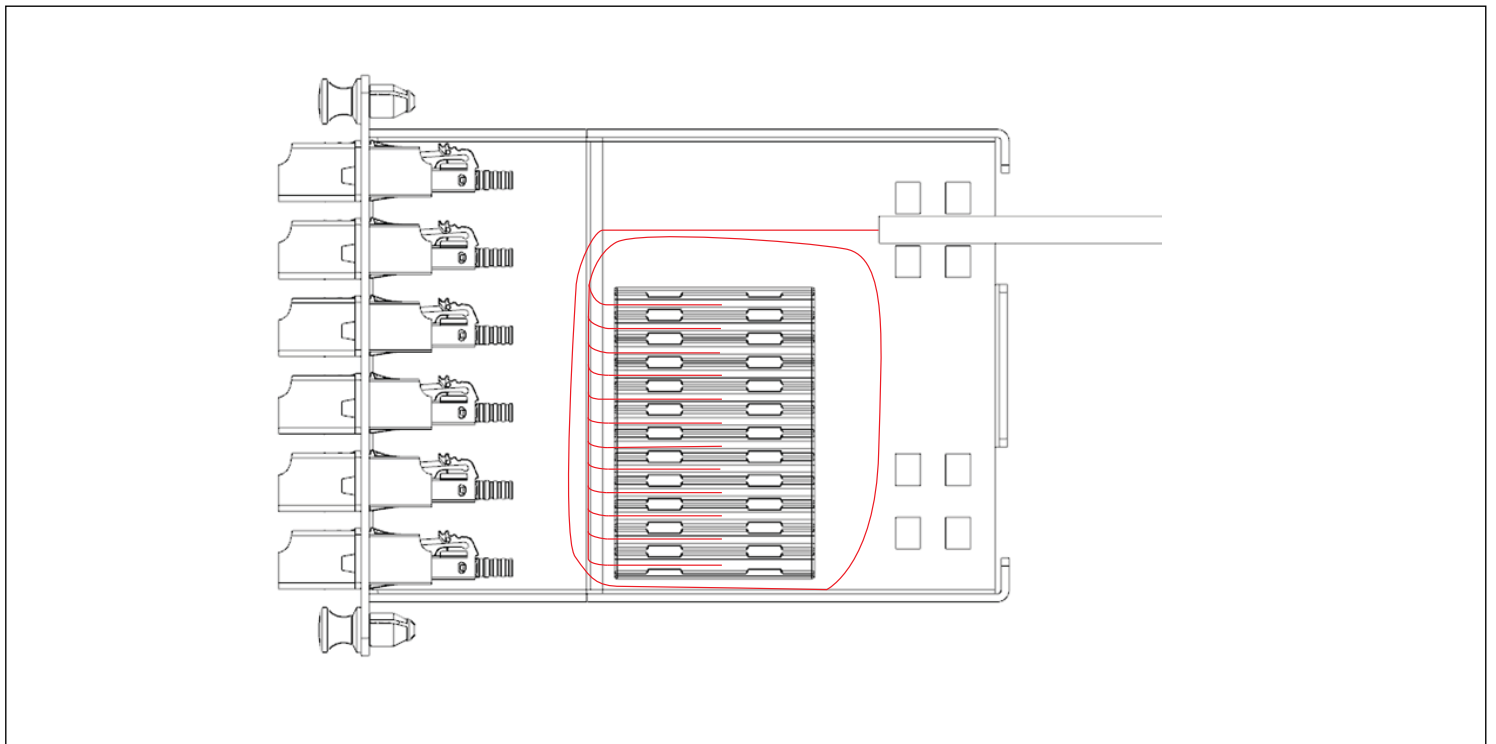
Install splice chip using splice chip adhesive tape.



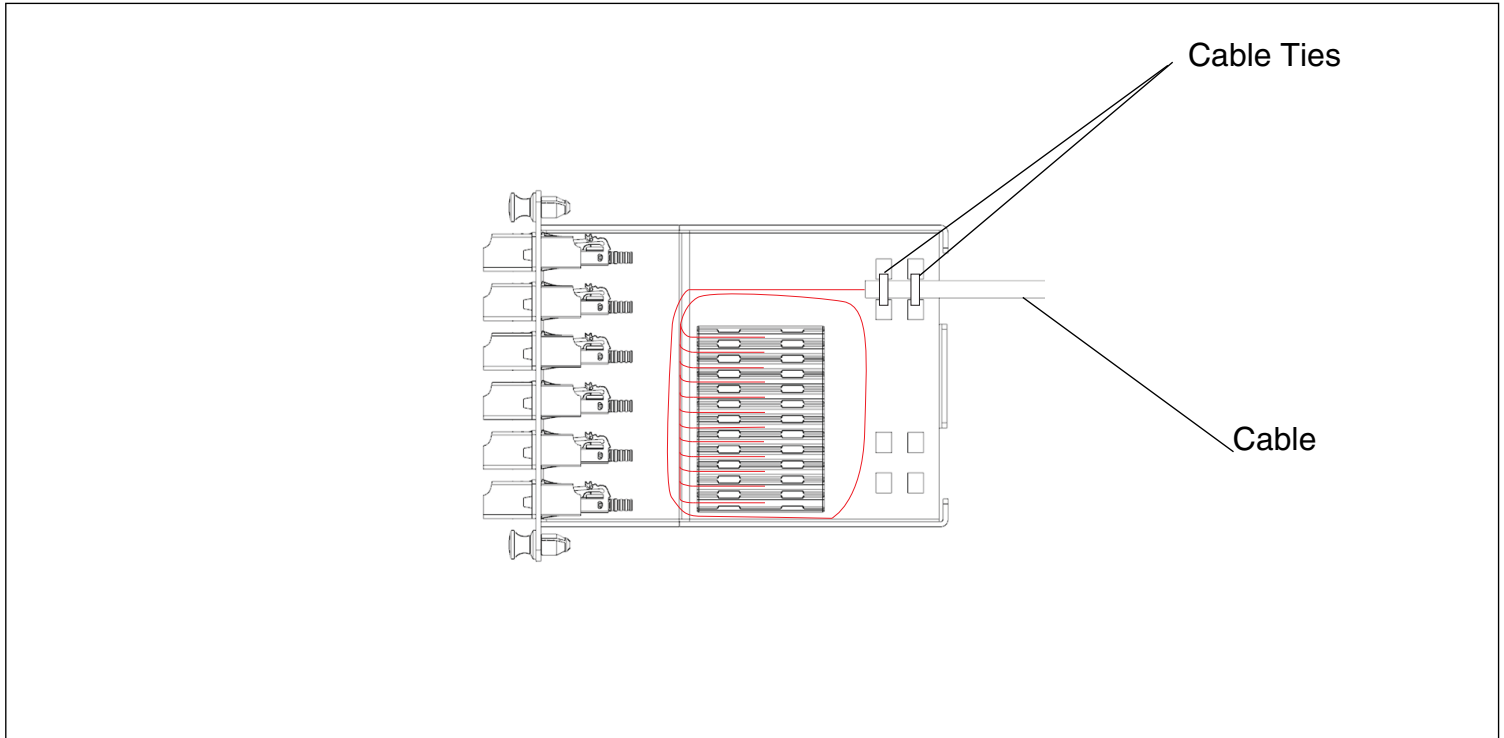
Showing alternative placement for splice chip



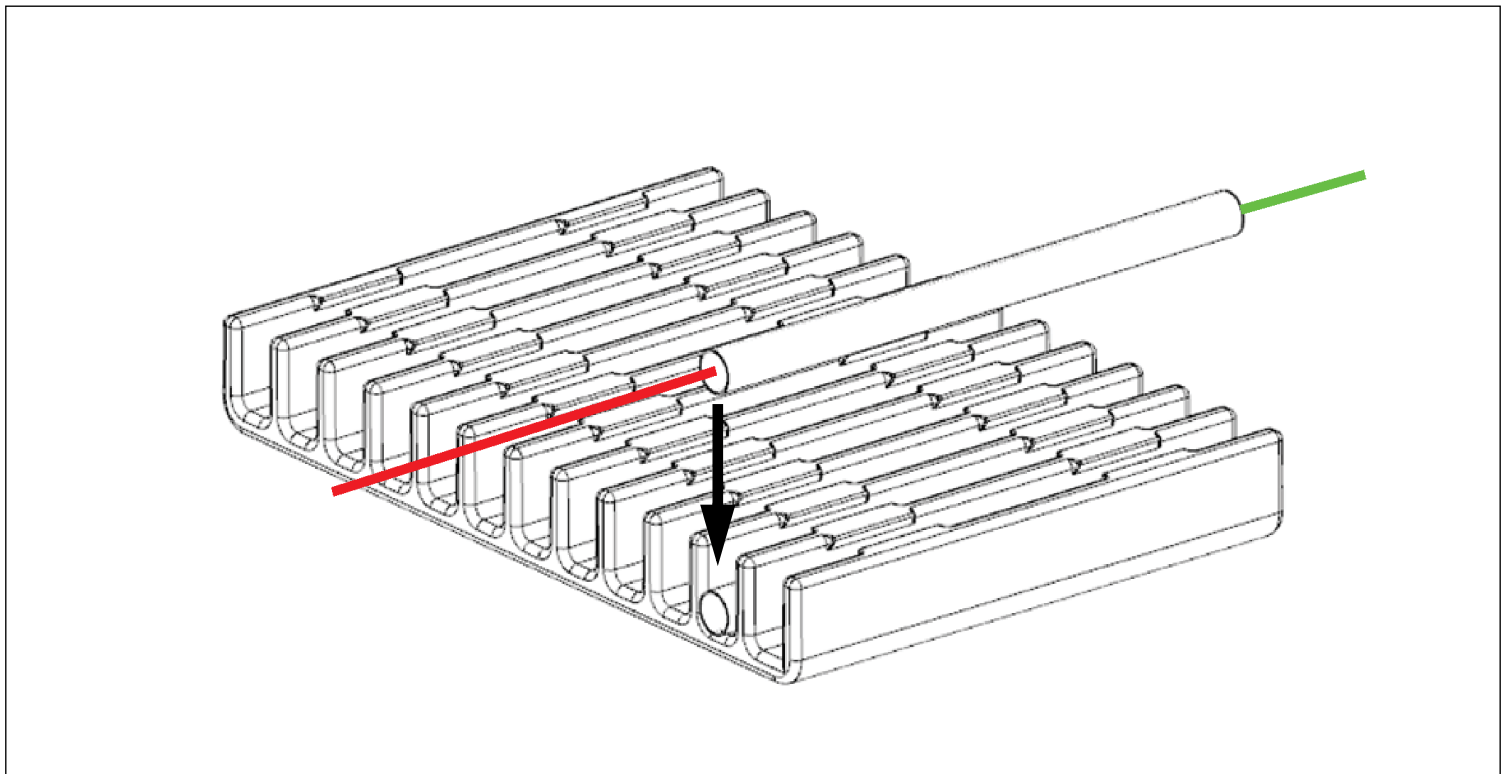
Install fiber into rear of splice chip.



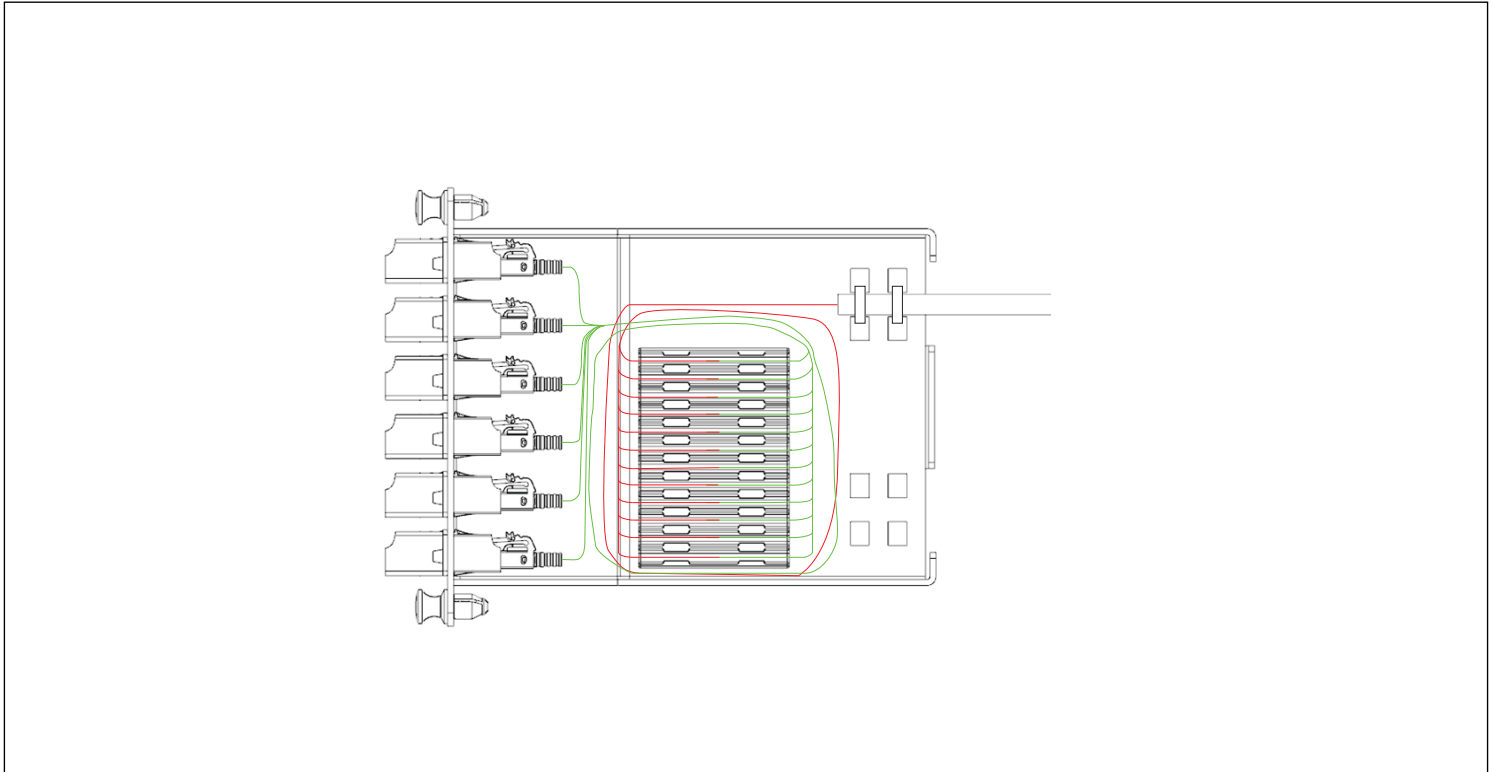
Install cable ties over fiber cable.



Bring cable in through both sides of heat shrink. Heat shrink cables together using best practices for heat shrinking. Heat shrink may be stacked two per slot for a total of 24 cables.



Attach heat shrunk cables to connectors,



Re-install cover and 3 screws.

