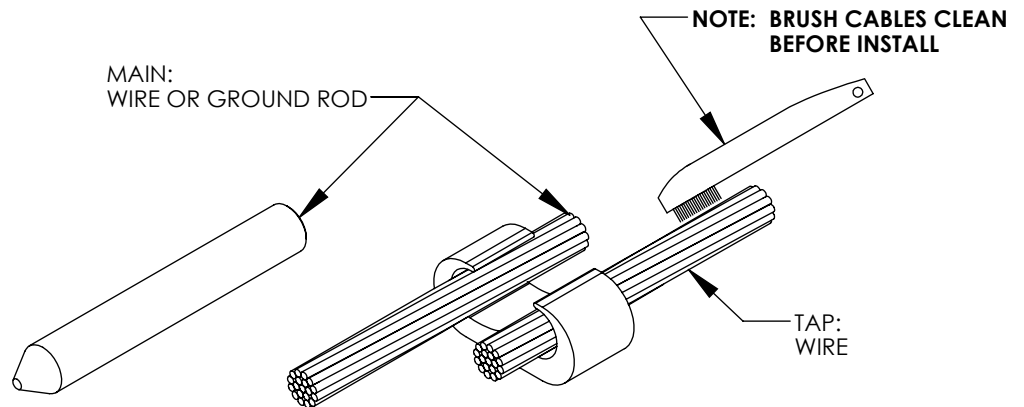
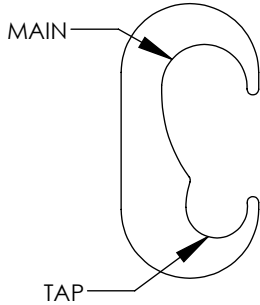


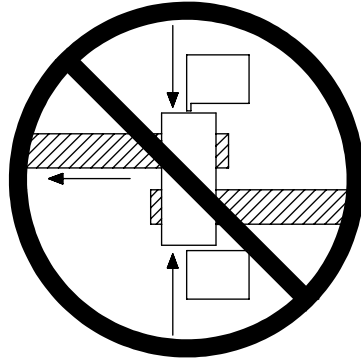
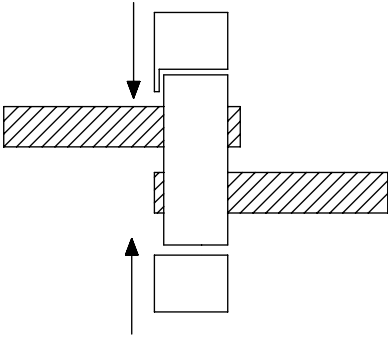


327-PC

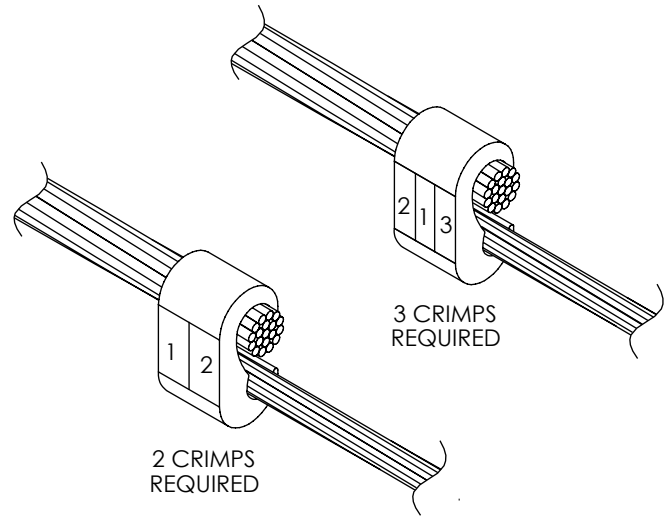


PART NUMBER	MAIN (AWG)		TAP (AWG)	MAIN (METRIC)		TAP (METRIC)
	COPPER CONDUCTOR RANGE	ROD DIAMETER	COPPER CONDUCTOR RANGE	COPPER CONDUCTOR RANGE	ROD DIAMETER	COPPER CONDUCTOR RANGE
CTAPR2-2	6 STR - 2 STR 6 SOL - 1 SOL	1/4" COPPER GROUND ROD	6 STR - 2 STR 6 SOL - 1 SOL	16mm ² - 25mm ² 16mm ² SOL - 35mm ² SOL	6.4 mm COPPER GROUND ROD	16mm ² - 25mm ² 16mm ² SOL - 35mm ² SOL
CTAPR2/0-2	1 STR - 2/0 STR	3/8" COPPER CLAD GROUND ROD	6 STR - 2 STR 6 SOL - 1 SOL	50mm ²	9.0 mm COPPER CLAD GROUND ROD	16mm ² - 25mm ² 16mm ² SOL - 35mm ² SOL
CTAPR2/0-2/0	1 STR - 2/0 STR	3/8" COPPER CLAD GROUND ROD	1 STR - 2/0 STR	50mm ²	9.0 mm COPPER CLAD GROUND ROD	50mm ²
CTAPR250-2/0	3/0 STR - 250 kcmil	1/2" - 5/8" COPPER CLAD GROUND ROD	6 STR - 2/0 STR 6 SOL - 3/0 SOL	95mm ² - 120mm ²	12.8 mm - 14.2 mm COPPER CLAD GROUND ROD	16mm ² - 50mm ² 16mm ² SOL - 70mm ² SOL
CTAPR250-250	3/0 STR - 250 kcmil	1/2" - 5/8" COPPER CLAD GROUND ROD	3/0 STR - 250 kcmil	95mm ² - 120mm ²	12.8 mm - 14.2 mm COPPER CLAD GROUND ROD	95mm ² - 120mm ²
CTAPR500-2/0	300 kcmil - 500 kcmil	3/4" COPPER GROUND ROD	6 STR - 2/0 STR 6 SOL - 3/0 SOL	185mm ² - 240mm ²	17.2 mm COPPER GROUND ROD	16mm ² - 50mm ² 16mm ² SOL - 70mm ² SOL
CTAPR500-250	300 kcmil - 500 kcmil	3/4" COPPER GROUND ROD	3/0 STR - 250 kcmil *	185mm ² - 240mm ²	17.22 mm COPPER GROUND ROD	95mm ² - 120mm ²
CTAPR500-500	300 kcmil - 500 kcmil	---	300 kcmil - 500 kcmil	185mm ² - 240mm ²	---	185mm ² - 240mm ²

*GROUND ROD MAY ONLY BE ASSEMBLED WITH 4/0 STR WIRE



WHEN CRIMPING WITH CD-930G-250 DIE, ORIENT PART AS SHOWN



ORIENT CRIMPS AS SHOWN WHEN CRIMPING WITH THE CD-920C-500 DIE

PANDUIT PART NUMBER	PANDUIT TOOL		
	12-TON	14-TON	15-TON
	A SEE TOOL LIST BELOW	B SEE TOOL LIST BELOW	C SEE TOOL LIST BELOW
	DIE PART NUMBER DIE INDEX (# OF CRIMPS)		
CTAPR2-2	CD-920-C PC (1)		
CTAPR2/0-2	CD-920-O PO (1)		
CTAPR2/0-2/0	CD-920-O PO (1)		
CTAPR250-2/0	CD-930G-250 PG25 (1)		
CTAPR250-250	CD-930G-250 PG25 (1)		
CTAPR500-2/0	CD-920C-500 P500 (2)		
CTAPR500-250	CD-920C-500 P500 (2)		
CTAPR500-500	CD-920C-500 P500 (3)		



DB \perp RATED

A CT-920, CT-920/CV, CT-920CH, CT-920CH/CV, CT-920CH/CCP, CT-2920, CT-2920/CCP, CT-2920/CCPINT, CT-2920/CCPUK, CT-2920/CCPAUS, CT-2920/CCPTO, CT-2920/CCPBT, CT-2931, CT-2931/ST, CT-2931/STINT, CT-2931/STUK, CT-2931/STAUS, CT-2931/TO, CT-2931/STCV, CT-2931/STCVINT, CT-2931/STCVUK, CT-2931/STCVAUS, CT-2931/CVTO, CT-2931/STBT
NOTE: CTAPR500-500 AND CTAPR500-250 CAN NOT BE INSTALLED WITH CT-2920, CT-2920/CCP, CT-2920/CCPINT, CT-2920/CCPUK, CT-2920/CCPAUS, CT-2920/CCPTO
WHEN INSTALLING THE CTAPR PARTS WITH THE CT-920CH, USE BLACKFIN TOOL ONLY

B CT-930, CT-930CH, CT-2930, CT-2930/L, CT-2930/LE
NOTE: CTAPR500-500 CANNOT BE INSTALLED WITH THE CT-930CH OR THE CT-930

C USE DIE ADAPTOR CD-940-DA: CT-940CH/BJO, CT-2940, CT-2940/L, CT-2940/LE

For Instructions in Local Languages and Technical Support:

www.panduit.com/resources/install_maintain.asp



www.panduit.com

E-mail: cs@panduit.com

Fax: 708-444-6993