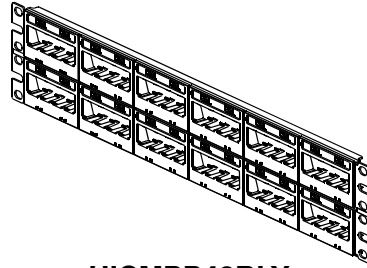
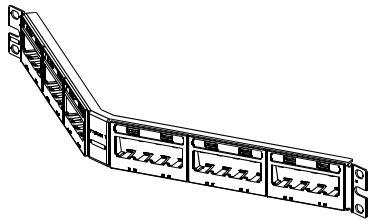


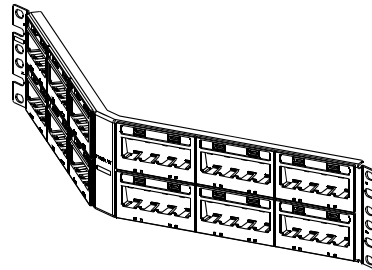
UICMPP24BLY



UICMPP48BLY

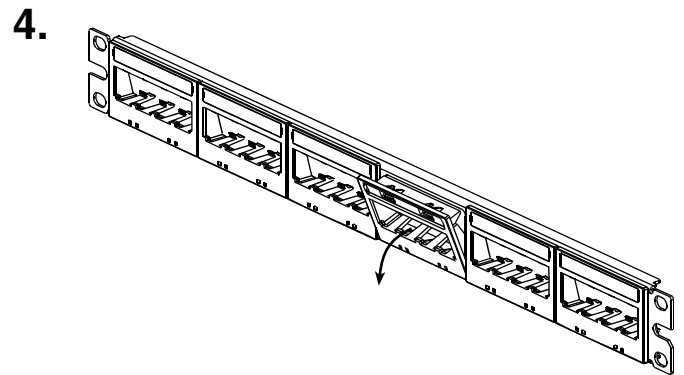
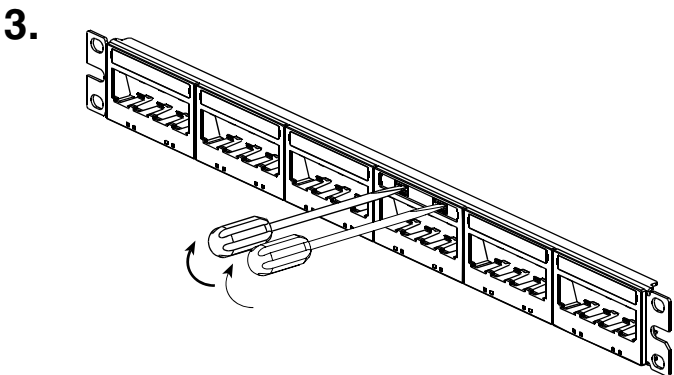
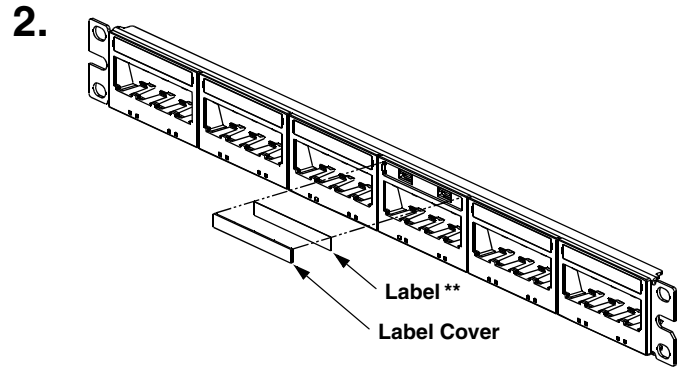
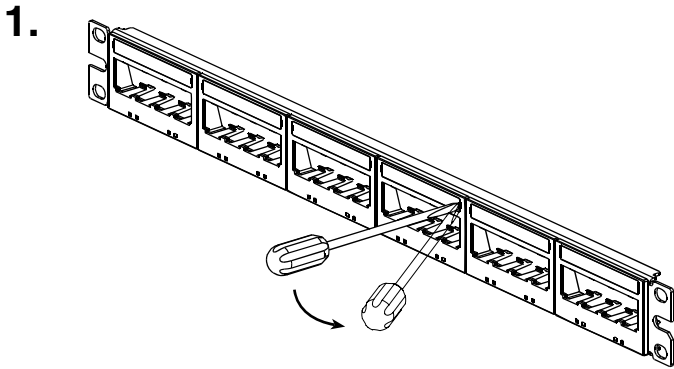


*UICMPPA24BLY



*UICMPPA48BLY

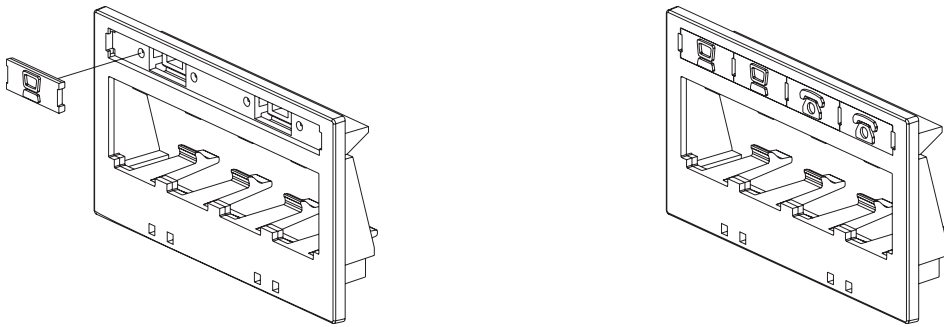
Label** / Label Cover / Faceplate Removal - (screwdriver required)



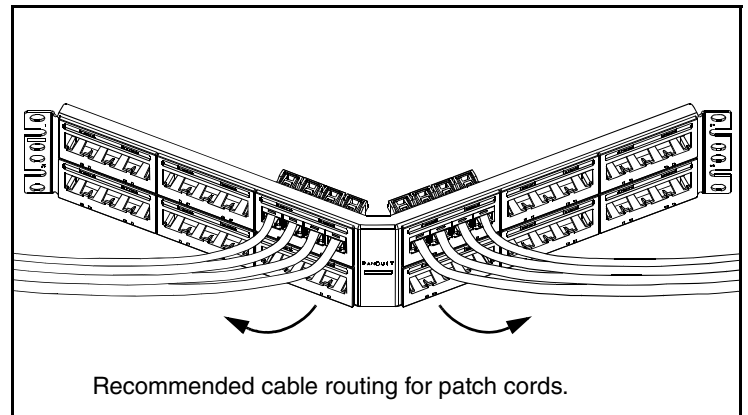
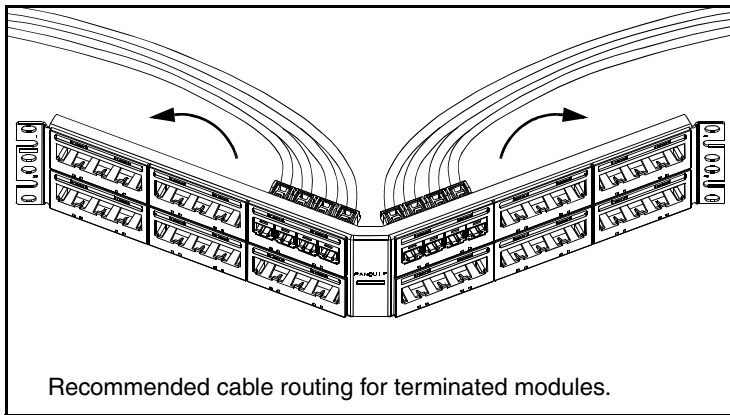
* Refer to the back side of this instruction for the recommended cable routing method of the Angled Panels.

** Write on labels are not included with these Patch Panels per TIA/EIA-606-A standard which states: "To maximize legibility, all labels shall be printed or generated by a mechanical device, and shall not be written by hand." (Refer to table on back side for label products)

Icon Installation (Icons sold as optional accessory)



All cables should flow directly into vertical cable managers on the corresponding side of the Angled Panel.



Ultimate ID Label Part Numbers

Label Part #	Height	Length	Color	Std. Pkg. Qty.
Computer Printable Labels				
UILJ4	.236"	2.585"	White	5 sheets
Non-Adhesive Label Cassette (for use with PanTher LS8E and Cougar LS9 Thermal Transfer Printers)				
*UILS8BW	1/4"	26.2'	Black / White	1

* See Panduit LS8E and LS9 Operations Manual to explain serialized function for label printing and page function for non-serialized label printing.

For Instructions in Local Languages
and Technical Support:
www.panduit.com/resources/install_maintain.asp

PANDUIT
www.panduit.com

E-mail:
cs@panduit.com
Fax:
(708) 444-6993