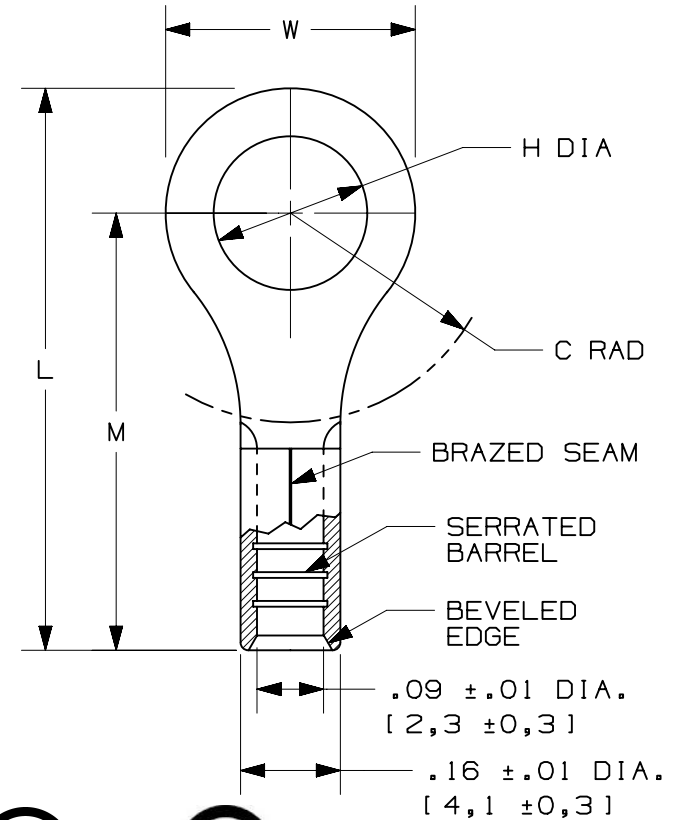


THIS COPY IS PROVIDED ON A RESTRICTED BASIS AND IS NOT TO BE USED IN ANY WAY DETRIMENTAL TO THE INTERESTS OF PANDUIT CORP.

PANDUIT PART #	STUD SIZE		DIMENSIONS in. [mm]				
	ENGLISH	METRIC	L ± .03 [0,8]	W ± .01 [0,3]	C ± .02 [0,5]	M ± .03 [0,8]	H ± .01 [0,3]
P14-4R	#4	--	.62 [15,8]	.25 [6,4]	.20 [5,1]	.50 [12,7]	.12 [3,1]
PM2-3R	--	M3	.62 [15,8]	.23 [5,8]	.22 [5,6]	.50 [12,7]	.13 [3,3]
P14-6R	#6	M3,5	.62 [15,8]	.25 [6,4]	.20 [5,1]	.50 [12,7]	.15 [3,8]
P14-8R	#8	M4	.71 [18,0]	.31 [7,9]	.25 [6,4]	.55 [14,0]	.17 [4,3]
P14-10R	#10	--	.71 [18,0]	.31 [7,9]	.25 [6,4]	.55 [14,0]	.20 [5,1]
PM2-5R	--	M5	.71 [18,0]	.35 [8,9]	.29 [7,4]	.55 [14,0]	.21 [5,3]
P14-14R	1/4"	M6	.91 [23,1]	.46 [11,7]	.38 [9,7]	.68 [17,3]	.27 [6,9]
P14-56R	5/16"	M8	.91 [23,1]	.46 [11,7]	.38 [9,7]	.68 [17,3]	.34 [8,6]
P14-38R	3/8"	--	1.00 [25,4]	.53 [13,5]	.43 [10,9]	.73 [18,5]	.40 [10,2]
P14-12R	1/2"	--	1.20 [30,5]	.72 [18,3]	.53 [13,5]	.84 [21,3]	.52 [13,2]

NOTES:

- USED FOR:
 - #18-14 AWG [1,0-2,5 mm²] SOLID OR STRANDED COPPER WIRE
 - 302°F [150°C] MAX. OPERATING TEMPERATURE
- INSTALLATION TOOLS:
 - UL LISTED AND CSA CERTIFIED: CT-100A, CT-200, CT-600A (CT-570CH), CT-1570, CT-2500 (CT-2570CH)
 - PANDUIT APPROVED: CT-160, CT-260
- WIRE STRIP LENGTH: 9/32" ^{+1/32} [7,1^{+0,8}]
- MATERIAL:
 - STAMPING: .03" [0,8] THK COPPER, TIN PLATED
- SEE www.panduit.com FOR PACKAGE QUANTITIES INDICATED BY PART NUMBER SUFFIX
- DIMENSIONS IN BRACKETS ARE METRIC EQUIVALENT



LISTED
587H
E52164



CERTIFIED
LR31212

REV	DATE	BY	CHK	APR	DESCRIPTION	ECN
08	09.17.12	JBN	LCA	VMB	ADDED METRIC EQUIVALENT. REVISED NOTES. UPDATED TO CURRENT STANDARDS.	A41264

TITLE RING TONGUE, NON-INSULATED, #16-14		CUSTOMER DRAWING	
ITEM REVISION NAME N41264BA/09		PANDUIT TM	
DATASET FILE NAME N41264BA_DC/09A			
UNLESS OTHERWISE SPECIFIED, DIMENSIONAL TOLERANCES ARE: IN [mm]		MATERIAL: SEE NOTES	
.x ± .1 [2.54] .xxx ± .005 [.13] .xx ± .01 [.25] ANGLES ± 5°		DRAWING NUMBER: A41264	
THIRD ANGLE PROJECTION		SHEET 1 OF 1	
DRAWN BY DAW	DATE -	CHK RLS	SCALE N.T.S.
REVISED BY		SIZE A	

DI10100DA/12