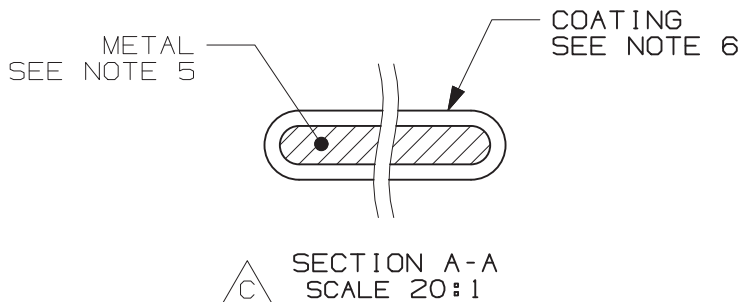
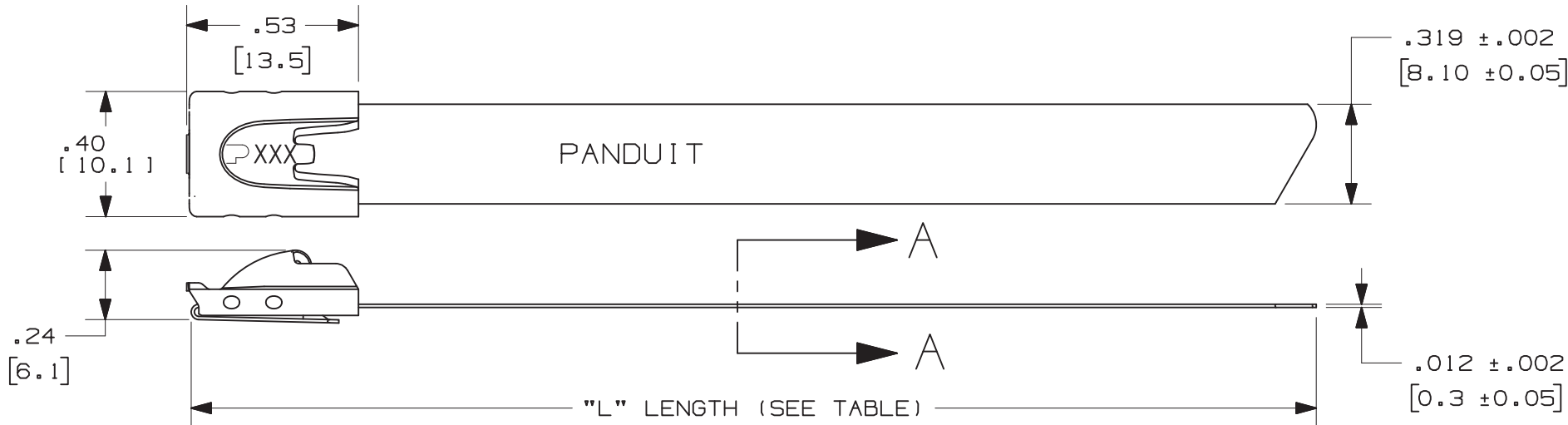


THIS COPY IS PROVIDED ON A RESTRICTED BASIS AND IS NOT TO BE USED IN ANY WAY DETRIMENTAL TO THE INTERESTS OF PANDUIT CORP.



PANDUIT PART NO.	MAX BUNDLE DIAMETER	PACKAGE QTY	LENGTH ('L') +/- .3" []
IMLTFC38H-C6L	1.5" [38]	100	6.2" [158]
IMLTFC51H-L6L	2" [51]	50	7.9" [201]
IMLTFC64H-C6L	2.5" [64]	100	9.4" [233]
IMLTFC69H-L6L	2.7" [69]	50	10.2" [259]
IMLTFC86H-C6L	3.4" [86]	100	12.2" [310]
IMLTFC102H-L6L	4" [102]	50	14.3" [362]
IMLTFC137H-C6L	5.4" [137]	100	18.2" [462]
IMLTFC152H-L6L	6" [152]	50	20.5" [521]
IMLTFC203H-L6L	8" [203]	50	26.7" [679]

- NOTES:
- APPLICATION TOOLS - GS4MT-E, PPTMT, ST2MT, HTMT, PBTMT
 - MINIMUM LOOP TENSILE STRENGTH - 200 LBS. (890 NEWTONS) WHEN TESTED ON A 1.5" MANDREL.
 - BRACKETS [] DENOTE DIMENSIONS IN MILLIMETERS, AND ARE SHOWN FOR REFERENCE ONLY
 - TOLERANCES:
 - .XXX = ±.010 [.25]
 - .XX = ±.02 [.5]
 - .X = ±.03 [.8]
 - ANGLES = ±2°
 - MATERIAL: 316L STAINLESS STEEL
 - COATING MATERIAL - EPOXY POLYESTER
COATING THICKNESS: 0.05mm to 0.15mm PER SIDE

TITLE IMLT HEAVY FULLY COATED SINGLE LOOP ASSEMBLY STAINLESS STEEL		CUSTOMER DRAWING	
ITEM REVISION NAME 15L355BG/03		PANDUIT	
DATASET FILE NAME 15L355BG_DC/03A			
MATERIAL SEE NOTES		DRAWING NUMBER 15L355BG_DC	
DRAWN BY JSUN	DATE 03-07-16	CHK JSUN	SCALE 2:1
SHEET 1 OF 1		SIZE A	

03A	06-12-23	BDK	DAEI	DJSL	C. UPDATED VIEW SECTION A-A B. UPDATED TITLE BLOCK AND BORDER A. MATERIAL IN TITLE BLOCK WAS 304 STAINLESS STEEL	115557 r01
REV	DATE	BY	CHK	APR	DESCRIPTION	ECN