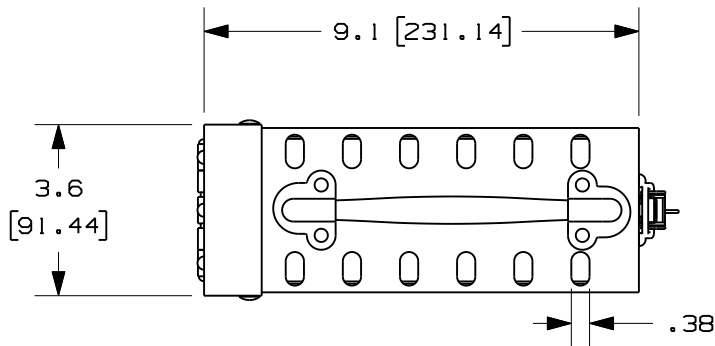
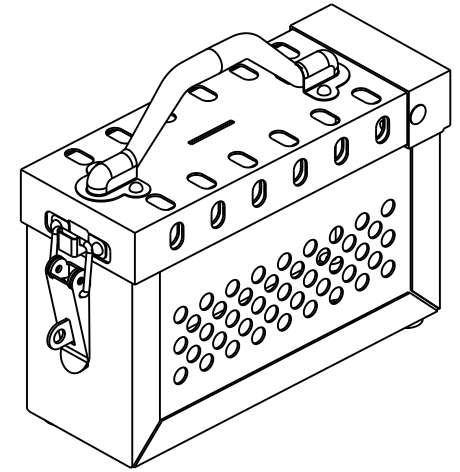
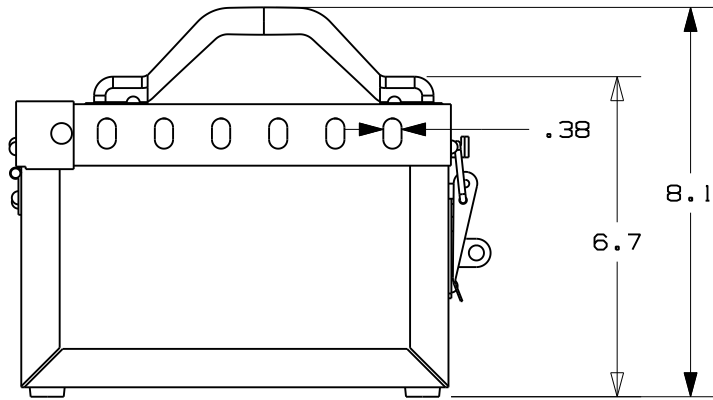


THIS COPY IS PROVIDED ON A RESTRICTED BASIS AND IS NOT TO BE USED IN ANY WAY DETRIMENTAL TO THE INTERESTS OF PANDUIT CORP.



NOTES:

- 1) DIMENSIONS IN [] ARE MILLIMETERS
- 2) ACCOMODATES UP TO 13 PADLOCKS
- 3) STAINLESS STEEL CONSTRUTION
- 4) COLOR: SILVER

CAD FILENAME/LAYERS		100930AC_DC_C10909/06A	
PANDUIT		CORP. TINLEY PARK, ILLINOIS	
		PSL-GLBNS CUSTOMER DRAWING STAINLESS STEEL SLIDING LID GROUP LOCK BOX	
UNLESS OTHERWISE SPECIFIED, DIMENSIONAL TOLERANCES ARE: (.X) ± .1 (0.76) (.XXX) ± .025 (0.13) (.XX) ± .050 (0.25) ANGLES ± 5°		UNLESS OTHERWISE SPECIFIED, ALL DIMENSIONS ARE GIVEN IN INCHES, THIRD ANGLE PROJECTION.	
DRAWN BY	JHAC	MAT'L:	SCALE 1:4
DATE	5-10-11	STAINLESS STEEL	DRAWING NO.
CHK'D	<i>[Signature]</i>		C10909

0	5-10-11	JHAC	<i>[Signature]</i>	DRAWING RELEASE	6388	R			
REV	DATE	BY	CHK	DESCRIPTION	ECN	R	CUST	SUP	