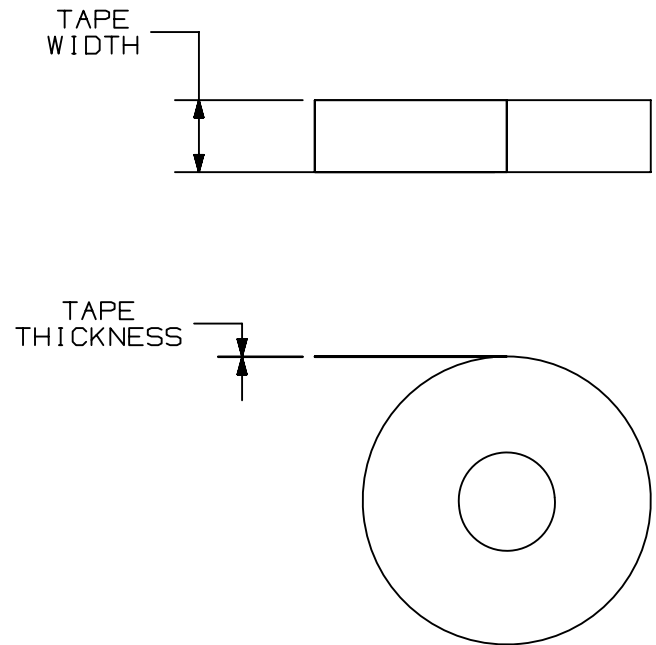


THIS COPY IS PROVIDED ON A RESTRICTED BASIS AND IS NOT TO BE USED IN ANY WAY DETRIMENTAL TO THE INTERESTS OF PANDUIT CORP.

Part Number	Width in. (mm)	Length ft. (m)	Thickness in. (mm)	Package per Roll	Description	Weight oz. (gram)
ST43-075-66BK	.75 (19)	66 (20)	.007 (.18)	Plastic Can	Professional Grade ST43 Black, 0.75" X 66' X.007"	3 (86)

A



- NOTES:
- VISIT OUR ON-LINE CATALOG AT WWW.PANDUIT.COM FOR A LIST OF CURRENT PARTS APPLICABLE FOR USE WITH THIS PRODUCT.
 - ALL MATERIALS AND COMPONENTS USED MEET THE MATERIAL RESTRICTIONS OF RoHS (EUROPEAN DIRECTIVE 2011/65/EU ON THE RESTRICTION OF HAZARDOUS SUBSTANCES) AS PROPOSED BY THE RoHS TECHNICAL ADAPTATION COMMITTEE.
 - MATERIAL: RUBBER ADHESIVE PRESSURE SENSITIVE VINYL TAPE.
 - TEMPERATURE RATING: -18 °C TO 105 °C.
 - DIELECTRICAL STRENGTH: 7000V.
 - FLAME RETARDANT.
 - MEETS ASTM D 3005 (TYPE I), EN 60454-3-1 (TYPE II), UL-510 AND CSA C 22.2 NO. 197.
 - COMPLIANT TO CALIFORNIA PROP. 65
 - THE INSULATING TAPE COLOR IS BLACK.
 - THE LENGTH TOLERANCE IS MIN. 0.1 METER, MAX. 0.40 METER.
THE THICKNESS TOLERANCE IS ±0.05 MM.
THE WIDTH TOLERANCE IS ± 2 MM.



Electrical Insulating Tape



CERTIFIED

PART NUMBER	SEE TABLE	PACKAGING SPEC	PKG-515
PRODUCT SPEC	PS-SH-002		
TITLE			
Stronghold Insulating Tape-Professional Grade ST43 Tape			
CUSTOMER DRAWING			
ITEM REVISION NAME		00351EBO/00	
DATASET FILE NAME		00351EBO_DC/00B	
UNLESS OTHERWISE SPECIFIED, DIMENSIONAL TOLERANCES ARE: IN [mm]			MATERIAL:
.x ± .1 [2.54] .xxx ± .005 [.127]			SEE NOTE3
.xx ± .01 [.25] ANGLES ± 1°			
THIRD ANGLE PROJECTION			DRAWING NUMBER:
			00351EBO_DC
DRAWN BY	DATE	CHK	SCALE
JSUN	04/25/2019	DMWO	NONE
SHT 1 OF 1			SIZE
			A

REV	DATE	BY	CHK	APR	DESCRIPTION	ECN
00B	11-09-2023	BDK	JADE	DJSL	A. REMOVED OBSOLETE PART NUMBER ST43-200-20BK	046172/01
00	04/25/2019	JSUN	DMWO	JHAC	INITLA RELEASE	046172/00

INGLOBAL_SIZE