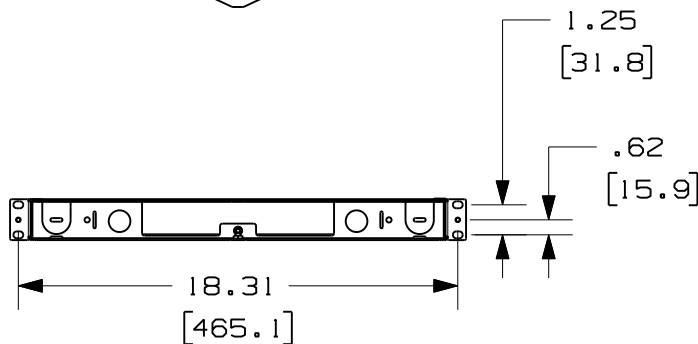
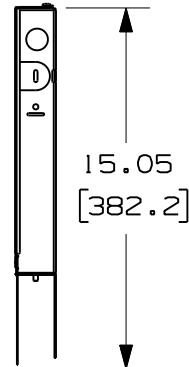
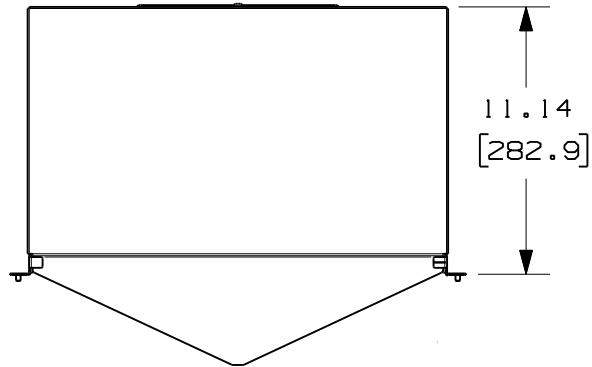
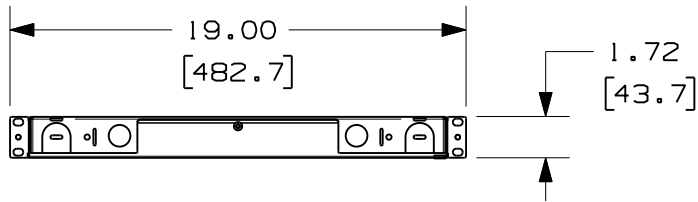


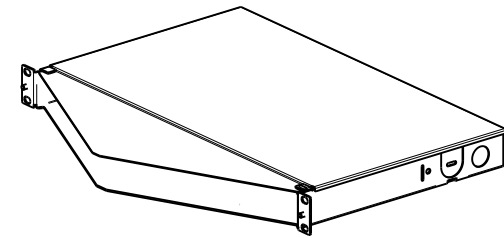
THIS COPY IS PROVIDED ON A RESTRICTED BASIS AND IS NOT TO BE USED IN ANY WAY DETRIMENTAL TO THE INTERESTS OF PANDUIT CORP.



PANDUIT PART NO. •	DESCRIPTION	WEIGHT
FMT1A	1RU RACK MOUNT ANGLED FIBER TRAY	

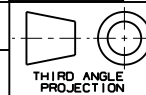
NOTES:

- SEE CURRENT CATALOG FOR COMPLETE LIST OF PARTS APPLICABLE FOR USE WITH THIS PARTS.
- THE TRAY ASSEMBLY IS DESIGNED FOR MOUNTING 19" UNIVERSAL RACKS.
- PACKAGE CONTENTS:
- DIMENSIONS IN PARENTHESES ARE METRIC.



DRAWING FILENAME	F00049AA_DC/01A.PRT	SIZE
MODEL FILENAME	F00049AA/01A.PRT	A

1RU RACK MOUNT ANGLED TRAY
CUSTOMER DRAWING



ALL DIMENSIONS ARE GIVEN IN INCHES, UNLESS OTHERWISE SPECIFIED.
DIMENSIONAL TOLERANCES ARE:
(.X) ±.03 (.XXX) ±.005
(.XX) ±.01 ANGLES ± 1°

I.I. NUMBER	
PROD SPEC/PKG SPEC	
ASSY METHOD/TEST METHOD	
SCALE	NONE
PART NO.	FMT1A
DRAWING NO.	F00049AA_DC

DRAWN BY	LEHO
DATE	09-16-08
CHK'D	

REVIEW DRAWING NUMBERS	
MAT'L	SEE NOTES

REV	DATE	BY	CHK	DESCRIPTION	ECN	R	CUST	SUP	OTH
R	9/16/08	LEHO		RELEASE TO PRODUCTION	F00049AA_DC				