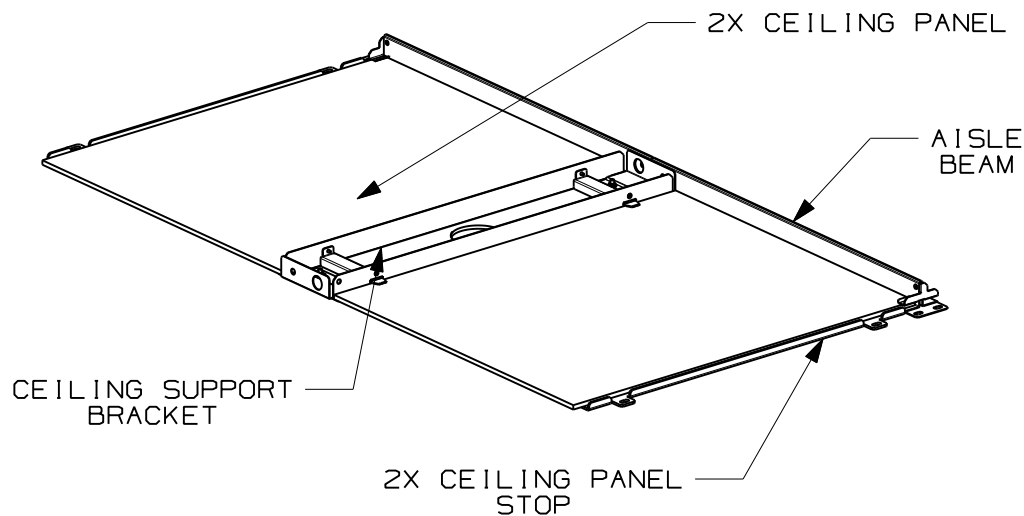


THIS COPY IS PROVIDED ON A RESTRICTED BASIS AND IS NOT TO BE USED IN ANY WAY DETRIMENTAL TO THE INTERESTS OF PANDUIT CORP.



**NOTES:**

- VISIT OUR ONLINE CATALOG AT [WWW.PANDUIT.COM](http://WWW.PANDUIT.COM) FOR A LIST OF CURRENT PARTS APPLICABLE FOR USE WITH THIS PRODUCT.
- PRIMARY DIMENSIONS ARE METRIC (mm). DIMENSIONS IN PARENTHESES ARE IN INCHES (IN).
- MINIMUM CEILING HEIGHT WITHIN CONTAINMENT (FROM FLOOR) IS 2110mm (83.1") FOR A 42RU CABINET OR 2244mm (88.3") FOR A 45RU CABINET.
- FIRE RATING: NON-METALLIC PARTS ARE CONSTRUCTED WITH FLAME RETARDANT MATERIALS HAVING A MAXIMUM FLAME SPREAD OF 50 AND A MAXIMUM SMOKE DEVELOPMENT OF 450 IN ACCORDANCE WITH ASTM E84 AND UL 723.
- PARTS SUPPLIED:  
 2 - CEILING PANEL STOPS  
 2 - CEILING PANELS  
 1 - CEILING SUPPORT BRACKET  
 1 - AISLE BEAM  
 1 - HARDWARE KIT

PANDUIT PART NO.	FOR USE WITH CABINET WIDTH	FOR USE WITH AISLE WIDTH
C2CAC06F041Rxx	600mm	1200mm (4 FEET)
C2CAC07F041Rxx	700mm	1200mm (4 FEET)
C2CAC08F041Rxx	800mm	1200mm (4 FEET)
C2CAC06F061Rxx	600mm	1800mm (6 FEET)
C2CAC07F061Rxx	700mm	1800mm (6 FEET)
C2CAC08F061Rxx	800mm	1800mm (6 FEET)

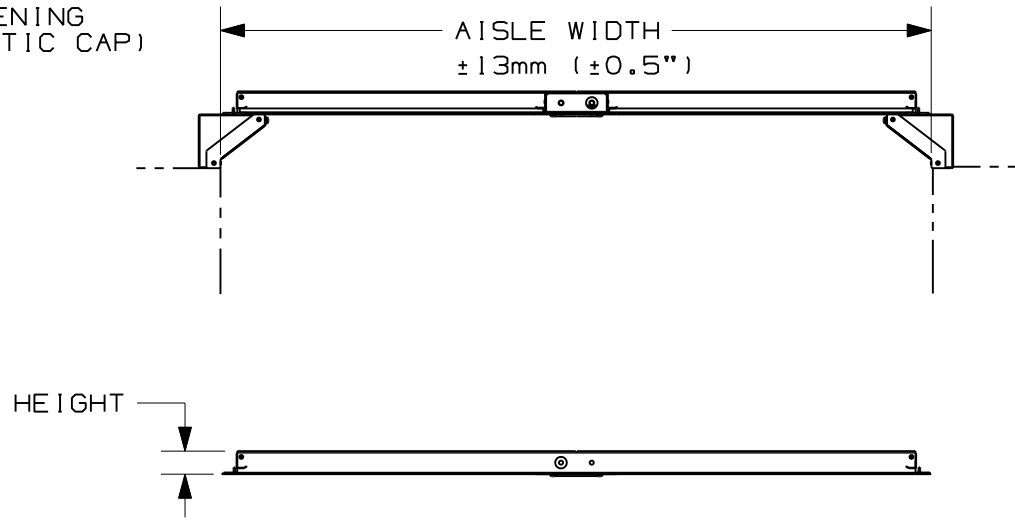
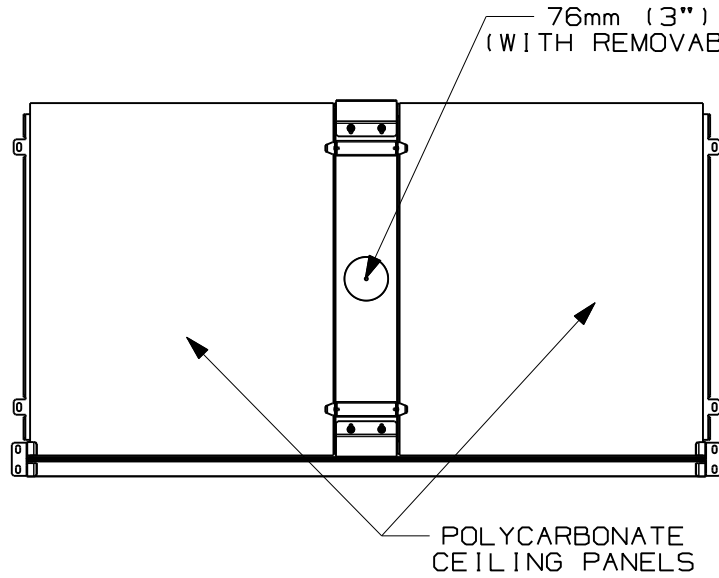
\*xx = COLOR  
 B1 = BLACK  
 W1 = WHITE

<p><b>NET-CONTAIN™ ROOFING SECTION                  FOR N AND S TYPE CABINETES                  (C2CAC0*F0*IR**)                  CUSTOMER DRAWING</b></p>			
ITEM REVISION NAME		12V292DS/00	
DATASET FILE NAME		12V292DS_DC/00A	
MATERIAL:		N/A	
DRAWING NUMBER:		12V292DS	
DRAWN BY	DATE	CHK	SCALE
PJST	10/15/12		N/A
SHT 1 OF 2		A	

REV	DATE	BY	CHK	APR	DESCRIPTION	ECN
00A	10/15/12	PJST			RELEASED TO PRODUCTION	12V292DS

D10100DA/12

THIS COPY IS PROVIDED ON A RESTRICTED BASIS AND IS NOT TO BE USED IN ANY WAY DETRIMENTAL TO THE INTERESTS OF PANDUIT CORP.



PANDUIT PART NO.	FOR USE WITH CABINET WIDTH	FOR USE WITH AISLE WIDTH	HEIGHT	WEIGHT
C2CAC06F04IRxx	600mm	1200mm (48")	38mm (1.5")	5.5 Kg (12.2 LBS) EA
C2CAC07F04IRxx	700mm	1200mm (48")	38mm (1.5")	5.9 Kg (12.9 LBS) EA
C2CAC08F04IRxx	800mm	1200mm (48")	38mm (1.5")	6.2 Kg (13.6 LBS) EA
C2CAC06F06IRxx	600mm	1800mm (72")	38mm (1.5")	6.4 Kg (14.2 LBS) EA
C2CAC07F06IRxx	700mm	1800mm (72")	38mm (1.5")	6.8 Kg (14.9 LBS) EA
C2CAC08F06IRxx	800mm	1800mm (72")	38mm (1.5")	7.1 Kg (15.6 LBS) EA

TITLE  
**NET-CONTAIN™ ROOFING SECTION  
 FOR N AND S TYPE CABINETES  
 (C2CAC0\*F0\*IR\*\*)**  
 CUSTOMER DRAWING

ITEM REVISION NAME 12V292DS/00	<b>PANDUIT™</b>
DATASET FILE NAME 12V292DS_DC/00A	
MATERIAL: N/A	DRAWING NUMBER: <b>12V292DS</b>

DRAWN BY PJST	DATE 10/15/12	CHK	SCALE N/A	SHT 2 OF 2	SIZE A
------------------	------------------	-----	--------------	------------	-----------

REV	DATE	BY	CHK	APR	DESCRIPTION	ECN
00A	10/15/12	PJST			RELEASED TO PRODUCTION	12V292DS

D10100DA/12