

SKH-A

SKH-A model
SKHB-A model (with electronic buzzer)



(For watercraft, IP54) (12V, 24V)*
*SKH-102AAC excluding SKHB-24AAC

Colors	Red, Amber, Green, Blue, Purple
Globe	The material is AS resin, which is translucent and highly weather resistant.

The SKH Series features an 118mm diameter, built-in 90dB audible alarm, and automobile incandescent bulbs as a light source for high vibration resistance, ideal for moving vehicles.

- Automobile incandescent bulbs for high vibration resistance
- Built-in 90dB audible alarm
- Available colors: Red, Amber, Green, Blue

Specifications

Model		Rated Voltage	Power current		Number of flashes	Bulb		Mass
SKH model	SKHB model		SKH model	SKHB model			Number	
SKH-101A	SKHB-12A	12V DC	0.8A	0.85A	170/minute	12V 10W	9	0.4kg
SKH-102A	SKHB-24A	24V DC	0.5A	0.55A		24V 10W	10	
SKH-110A	SKHB-100A	100V AC	0.065A	0.115A		12V 5W	12	0.6kg
SKH-120A	SKHB-200A	200V AC	0.030A	0.080A		24V 10W	10	0.4kg
SKH-102AAC	SKHB-24AAC	24V AC	0.5A	0.55A	170/minute	24V 10W	10	0.4kg
Boats only SKH-102SA	—	24V DC	0.5A	—		24V 10W	10	0.4kg
SKH-110SA	—	100V AC	0.065A	—		12V 5W	12	0.6kg

Bulb Shape Glass Bulb G18, Base BA15S

Light bulb No.	Model
9	D01201003A-F1
10	D02401003A-F1
12	D01200503A-F1

* Light bulbs come in packs of 10.
* Stock for some light bulbs may be limited, as products become discontinued. We ask for your understanding in this regard.

Model Code

SKHB-100A-R

Model: SKH

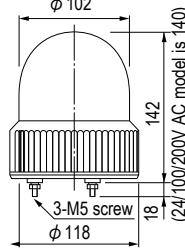
Specifications: Blank (Revolving Light), B (Revolving light with buzzer)

Rated Voltage: 12V DC, 24V DC, 24V AC, 100V AC, 200V AC

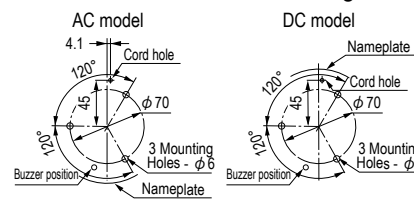
Rated Voltage	SKH	SKHB	SKH (exclusively for watercraft)
12V DC	101A	12A	—
24V DC	102A	24A	102SA
24V AC	102AAC	24AAC	—
100V AC	110A	100A	110SA
200V AC	120A	200A	—

Colors: R (Red), Y (Amber), G (Green), B (Blue), P (Purple)

Dimensions (mm)



Installation Dimension Drawings



Nominal Cross-sectional Area : Wire Type:
Lead Line Length
SKH-101A, 102A, 102AAC
0.5mm² : AV : 300
SKHB-12A, 24A, 24AAC
0.5mm² : AV : 300
SKH-110A (with plug), 120A
0.75mm² : VCTKF : 310
SKHB-100A (with plug), 200A
0.75mm² : VCTKF : 310
(Signal Wire : 0.5mm² : AV : 300)

*Please be careful, as the position of the name plate against the installation surface changes according to how the globe is fastened.
*To pass a 100V outlet, a φ 30 cord hole is required.

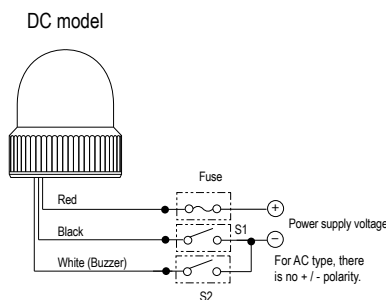
*Please send inquiries for the size of watercraft specifications (SKH-SA type).

Optional Parts

For details, see pages 182 to 187.

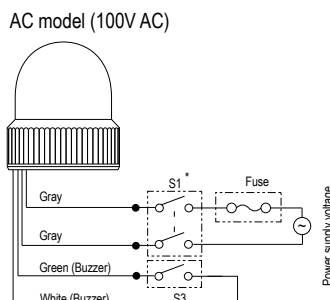
Optional Parts	Model
Wallmount Bracket	SZ-007

Wiring Diagram



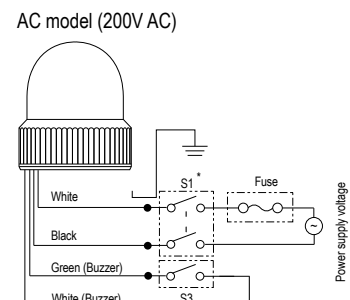
Contact S1	Contact S2	Description
ON	OFF	Revolving Light
OFF	ON	Buzzer
ON	ON	Revolving light & buzzer

*Wiring diagram is for model B.
There is no white wire for units without a buzzer.



Contact S3	Description
OFF	Revolving Light
ON	Revolving light & buzzer

* Wiring diagram is for model B.
There are no white and green wires for units without a buzzer.
Buzzer contact open circuit voltage 12V DC Short circuit current 40mA



Contact S3	Description
OFF	Revolving Light
ON	Revolving light & buzzer

* Wiring diagram is for model B.
There are no white and green wires for units without a buzzer.
Buzzer contact open circuit voltage 12V DC Short circuit current 40mA

*In addition to a two-way switch, you can also use a one-way switch.

Network

Signal Tower

Signal Light

Revolving Warning Light

Cube Tower

Audibles

Hybrid Signaling Devices

LED Illumination

Options