

RT

Hybrid MP3 & Revolving Light



- Bulb**
- 32 Alarm Sounds**
- 105dB at 1m**
- 63 Seconds**
- IP23**
- NPN Open-collector**



Large horn with revolving warning light featuring clear sound up to 105dB (at 1m).

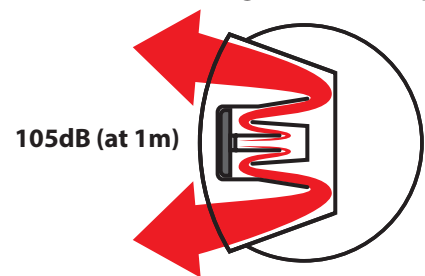
FEATURES

- Built-in Adjustable alarm with a sound of up to 105dB (at 1m).
- High sound quality with the MP3 voice synthesizer (RT-VF only).
- Installation is in the upright position only.
- Dome is made of superior weather-resistant and light-translucent acrylic resin.
- Available colors are Red, Amber, Green, and Blue.
- Complies with EU directives and includes the CE mark (for 24V type).

AVAILABLE BY SPECIAL ORDER

- Cable: Versatile and flexible 3m cable
- AC 120V type
- IP65 rating
- UL Conformity

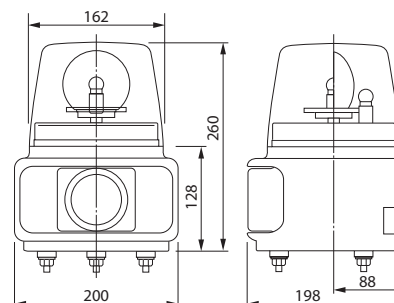
Horn Configuration Concept



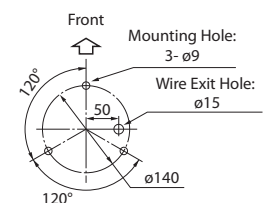
How to Order

RT-24VF-R	
Rated Voltage 24 : DC 24V 100: AC 100V 200: AC 200V	Color R: Red Y: Amber G: Green B: Blue
Sound VF: Voice Synthesizer A: Type A C: Type C D: Type D E: Type E	

Dimensions

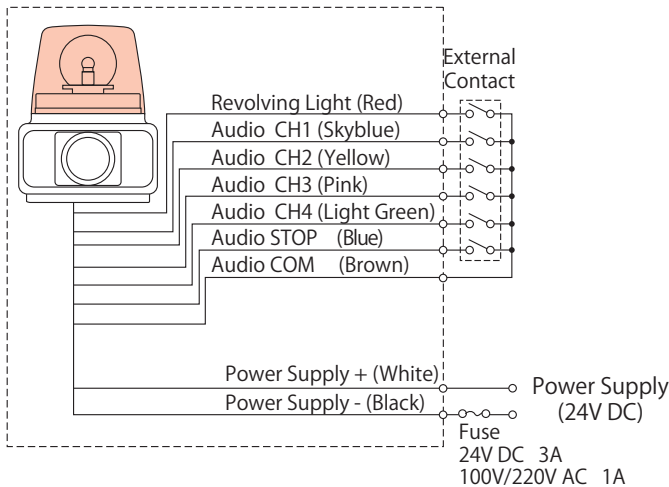


Mounting Dimensions



(Unit: mm)

RT-A/C/D/E



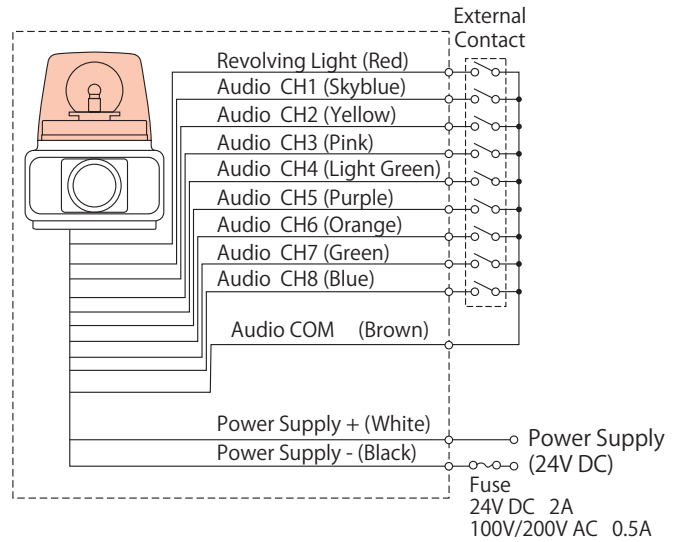
*more than 100ms input is required to activate.

Channel Priority:

4 (Light Green) > 3 (Pink) > 2 (Yellow) > 1 (Skyblue)

The greater number has priority when any of the channels are activated simultaneously.

RT-FV



Channel Priority:

8 (Blue) > 7 (Green) > 6 (Orange) > 5 (Red) > 4 (Light Green) > 3 (Pink) > 2 (Yellow) > 1 (Skyblue)

The greater number has priority when any of the channels are activated simultaneously.

Specifications

Series	Model	Rated Voltage	Operating Voltage Range	Power Consumption	Bulb		Sound Level	Operating Temperature Range	Rotations per Minute	Sound Level	Channel Input	Mass
					Ratings	Repl. No.						
Voice	RT-24VF	DC 24V	DC 21 - 27V	24 W	24V 20W	55	Max. 90dB (at 1m)	-10°C - +50°C (85%RH or less)	115	Max. 105dB (at 1m)	Bit: 4 Binary: 15	2.0kg
	RT-100VF	AC 100V	AC 90 - 100V	32 W	12V 15W	54			105			2.4kg
	RT-220VF	AC 220V	AC180 - 240V	30 W					95			
Sound	RT-24	DC 24V	DC 21 - 27V	24 W	24V 20W	55	Max. 95dB (at 1m)		115	Max. 105dB (at 1m)	Bit: 8 Binary: 32	2.0kg
	RT-100	AC 100V	AC 90 - 100V	32 W	12V 15W	54			105			2.5kg
	RT-220	AC 220V	AC180 - 240V	30 W					95			

Actual sound level will depend on sound type and operating conditions.

※) Even when starting two or more units simultaneously, a lag will occur during message playback.

Sound Chart

Type E			
Beep (slow intermittent)	Stutter + Bell	Inverted Reveille	Annie Laurie
Stutter (rapid intermittent)	Melody Chime	Galactic Motor	London Bridge is falling down
Bell (clear high-pitch)	Chime	Ringling Phone	Mary had a little Lamb
Yelp (rapid siren)	Call Sign	Two Tone	Camptown Races
Rapid Hi-Lo	Train Ride	Alarm Clock	Amaryllis
Melody Chime	Galloping Hi-Lo	Ringling Hi-Lo	Mozart Symphony No. 40
Synthesized Piano	Alien Chatter	Fur Elise	Ave Maria
Synthesized Bell	Falling Crystals	Bach Minuet in Gmaj	Grandfather's Clock

Use of Copyrighted Material

PATLITE Corporation has not applied for permission to use certain copyrighted music or songs recorded for Type-A, Type-C and Type-D melody charts outside of Japan. Therefore, please contact the local copyright association for permission before using the product in case this product is used outside of Japan. melody chart Type-E is recommended for use outside of Japan as this playlist does not include copyrighted music or songs, and permission is not required.