

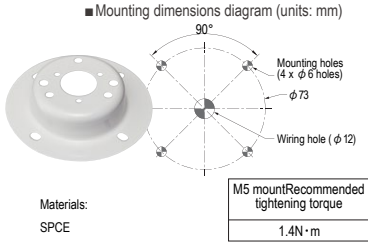
Optional

Signal Tower LR series optional parts

For direct mounted models

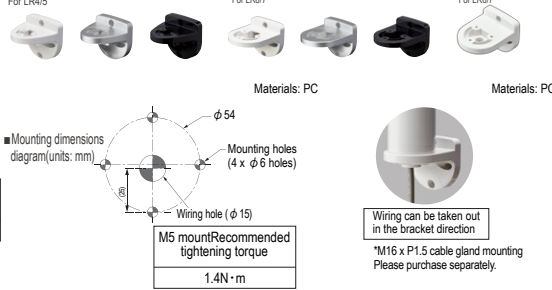
Circular Bracket

Model: SZW-001W



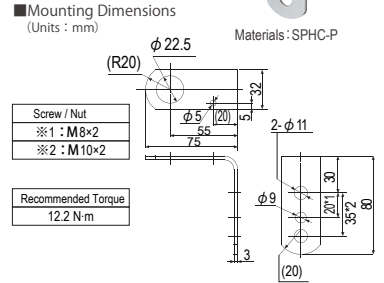
Wallmount Bracket

Model: SZK-002W/U/K



L Angle

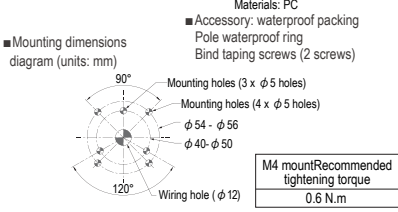
Model: SZL-001



For aluminum pole (N type)

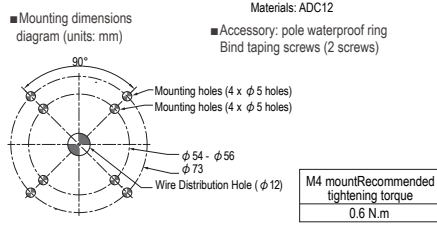
Circular Multi Pitch Bracket

Model: SZP-001W/U/K



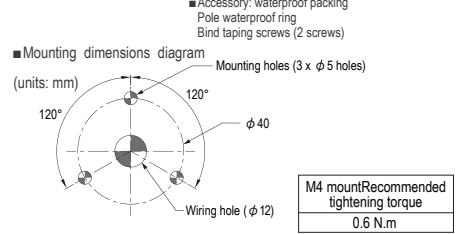
Circular Bracket

Model: SZP-002U



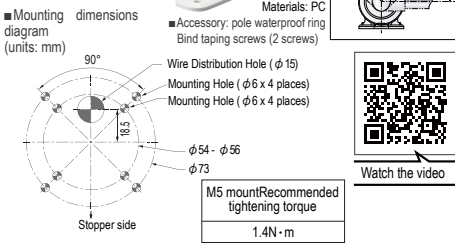
Circular Bracket

Model: SZP-003W/U/K



Tilt Bracket

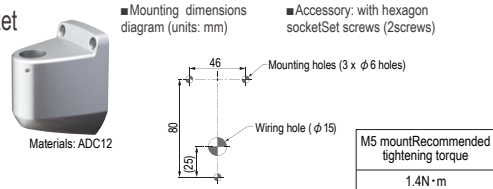
Model: SZQ-001W



For aluminum pole (N/T type)

Wallmount Bracket

Model: SZK-001U

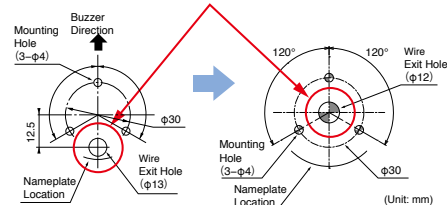


Compatible Direct Mount Bracket

Model Name	SZW-940U	SZW-950U	SZW-960U	SZW-970U
Signal Tower Size	φ40mm	φ50mm	φ60mm	φ70mm
Product Conversion	LCE-AW → LR4-WJ	LE-WLES-AW/LU5 → LR5-WJ	LME-WJ → LR6-WJ	LHE/LU7 → LR7-WJ

Current Products: LE φ50
New Product: LR4 φ40, LR5 φ50

Note: Cable exit hole for current products and New products is different



Pole-compatible Adaptor

Model Name	SZP-917U
Pole diameter compatibility	21.7mm → 17.3mm

	Model	Material	Compatible with LR Pole?
Current Product	LCE, LCS	Iron	No
	LE, LES	Iron	No
	LU5	-	-
	LME, LMS	L: Iron P: Aluminum	Yes
	LHE	-	-
New Product	LU7	-	-
	LR	Aluminum	Yes

Aluminum pole

(Bind tapping screw for affixing pole (2 screws) included)

*When cutting the poles, do not cut with pole cutters. Use a fret saw, power saw, or jigsaw.

*If changing from direct mounting specifications to pole mounting specifications, please purchase pole brackets (repair parts) together with the aluminum pole as a single item.

N type	100mm	Type: POLE22-0100AN(K)	T type	100mm	Type: POLE22-0100AT
	300mm	Type: POLE22-0300AN(K)		300mm	Type: POLE22-0300AT
	500mm*	Type: POLE22-0500AN	Nut included	500mm	Type: POLE22-0500AT
NK type	800mm*	Type: POLE22-0800AN(K)		800mm	Type: POLE22-0800AT
	1000mm*	Type: POLE22-1000AN		1000mm	Type: POLE22-1000AT

*Compatible brackets: SZK-001U, SZP-002U, SZ-010

*We accommodate pole lengths other than the above as custom orders.

Compatible pole lengths: 150mm, 200mm, 250mm, 350mm, 400mm, 450mm, 600mm, 700mm, 900mm

Optional

Network

Signal Tower

Signal Light

Revolving Warning Light

Cube Tower

Audibles

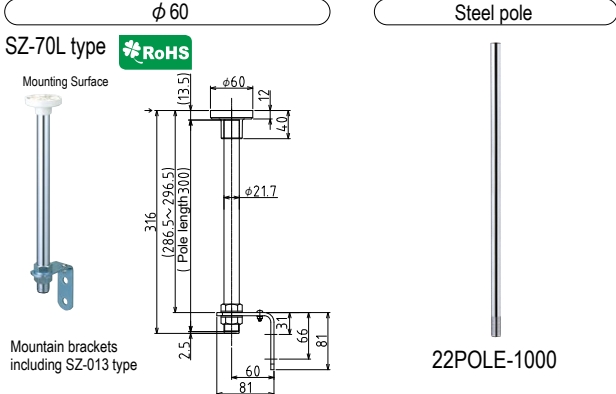
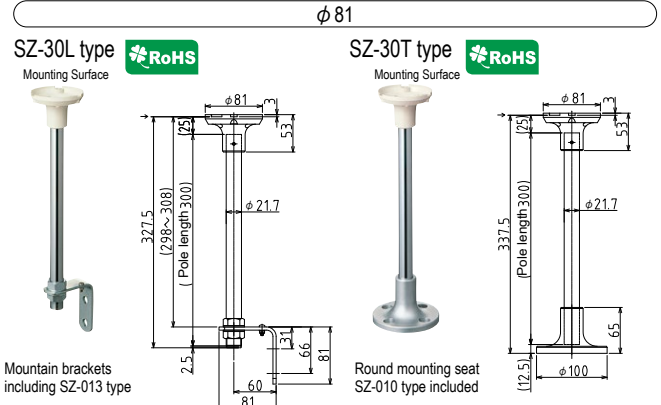
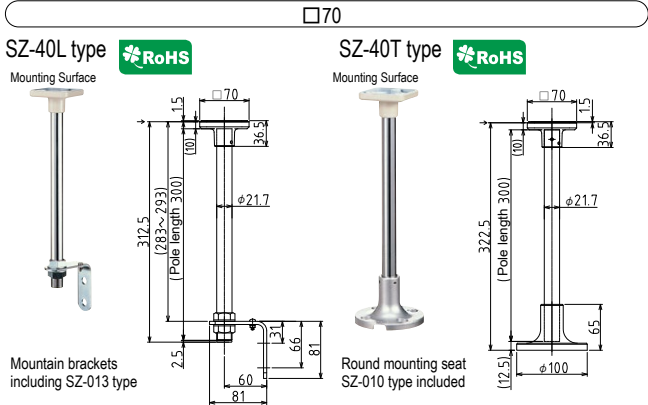
Hybrid Signaling Devices

LED Illumination

Options

Mounting Pole

■ Units of each dimension diagram are in mm.



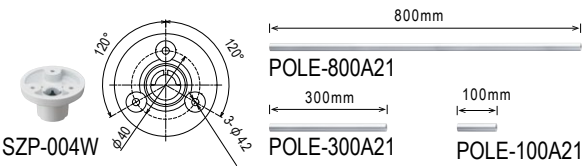
*Cannot be combined with mounting rubber (SZ-200A, SZ-210).

Model	Mounting Pole					
	Bracket	Pole	L type bracket	Cord Bushing	Round mounting base	Compatible models
SZ-70L		Carbon steel pipe 11-A for mechanical structure				LA6
SZ-30L	ABS resin		SPHC	EPT	-	RS, RLE, RU, RH-A, PS, PES-A, RHE(B), SKH-A, SKH-EA, SKHE
SZ-30T			-	-	ADC12	
SZ-40L	ADC12		SPHC	EPT	-	KUS
SZ-40T			-	ADC12		

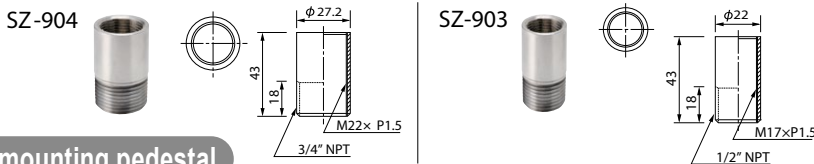
ADC12...12 types of aluminum alloy die casting SPHC...hot rolled soft sheet steel (general use) EPT...ethylene-propylene rubber
*When using the SZ-□type mounting bracket, a cable extension may be necessary depending on the product.

Model	Material	Specification	Compatible models
22POLE-300	Carbon steel pipes for ordinary piping	φ 21.7mm pole300mm	LA6
22POLE-500		φ 21.7mm pole500mm	
22POLE-1000		φ 21.7mm pole1,000mm	
POLE-100A21	Aluminum	φ 21.7mm pole100mm	LR6-USBUse with SZW-004W
POLE-300A21		φ 21.7mm pole300mm	
POLE-800A21		φ 21.7mm pole800mm	

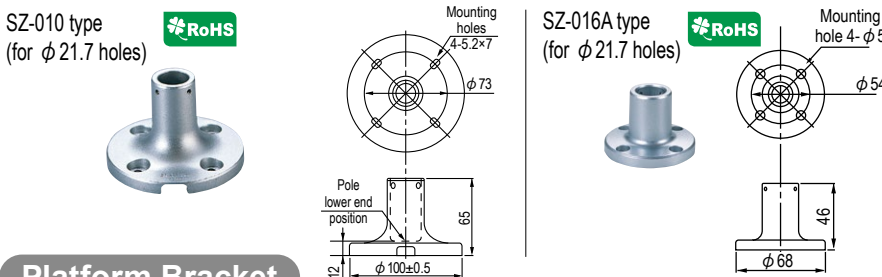
For LR6-USB



NPT Adaptor



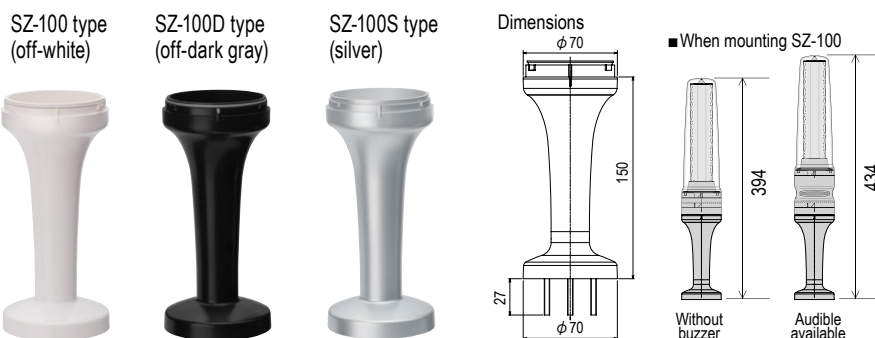
Circular mounting pedestal



Model	Material	Compatible models
SZ-010	12 types of aluminum alloy die casting	LR, LA6, RUP, LR6-USB
SZ-016A		LA6, RUP, LR6-USB

■ Units of each dimension diagram are in mm.

Platform Bracket



Model	Material	Compatible models
SZ-100	Heat-resistant ABS	LS7
SZ-100D		
SZ-100S	Heat-resistant ABS (silver paint)	

■ Units of each dimension diagram are in mm.

Network

Signal Tower

Signal Light

Revolving Warning Light

Cube Tower

Audibles

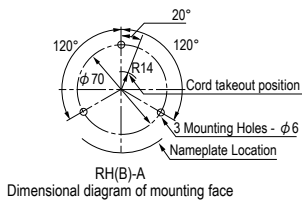
Hybrid Signaling Devices

LED Illumination

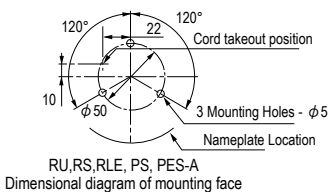
Options

Mounting Gasket

SZ-200A



SZ-210



Model	Material	Compatible models
SZ-200A	Ethylene - propylene rubber	RH(B)-A, RHE(B)
SZ-210		RU, RS, RLE, PS, PES-A, PSE

■ Units of each dimension diagram are in mm.

Locking Ring Rubber Cover

SKP-001 model



Model	Compatible models
SKP-001	SKP-A

■ Units of each dimension diagram are in mm.

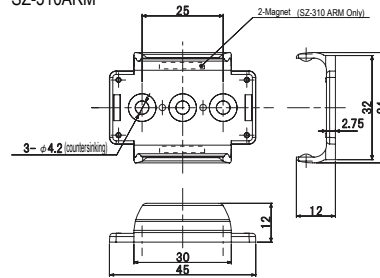
Mounting Bracket for LED Work Light

SZ-310AR

Rear attachment screw mount (2 included)



SZ-310AR and SZ-310ARM



SZ-310ARM

Rear attachment magnetic mount (2 included)

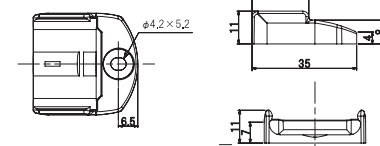


SZ-310AS

Side attachment screw mount (2 included)



SZ-310AS

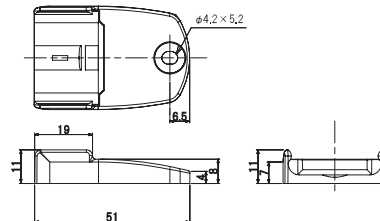


SZ-310ASB

Rear attachment screw mount. Compatible with CLB-24N. (2 included)



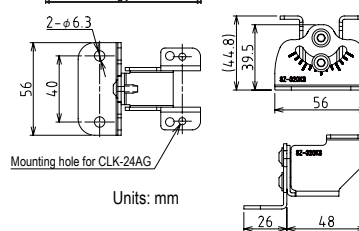
SZ-310ASB



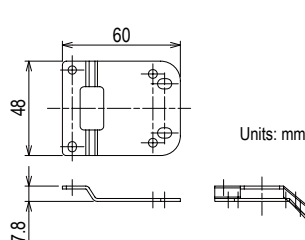
SZ-320KS



Installation Image



CLK-001 type

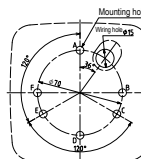
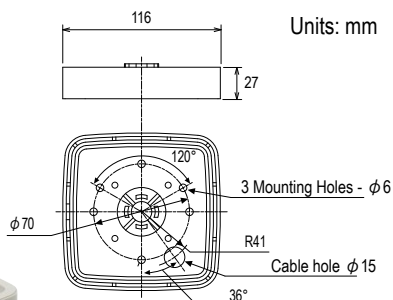


Ceiling Mount Bracket

RF-002



Installation Image



Installation Dimension Drawings

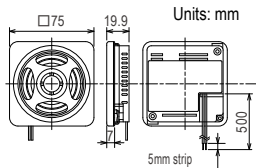
*If screwing in 2 locations, use A-D and B-F; if mounting in 3 locations, use A-C-E. Please mount with M6 screws.

Model	Material	Compatible models
RF-002	ABS resin	RFV, RFT

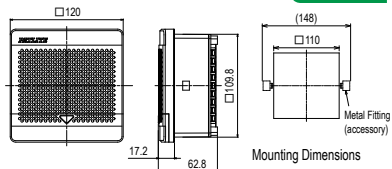
*Cannot be used in a location where it will in contact with water.

Speaker

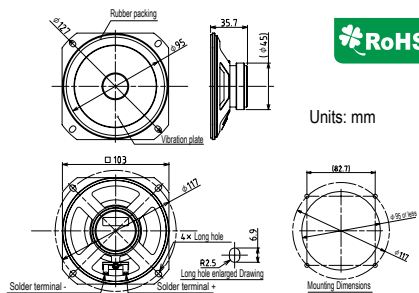
SPB-2E-W (2W 8Ω)
(off-white)



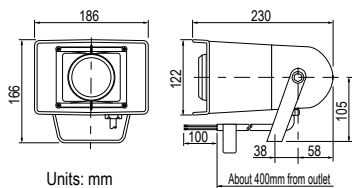
SPB-5E (5W 8Ω)



SPL-5 (5W 8Ω)



SPW-5E (5W 8Ω)

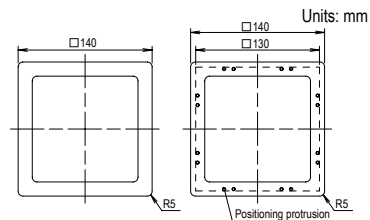


Mounting bracket

BK-001

Use 1 seal for installation (2 included)
Compatible models: BK, BKV, SPB-5E

BK-001 cannot be used with legacy products
with embedded □130mm mounting holes.



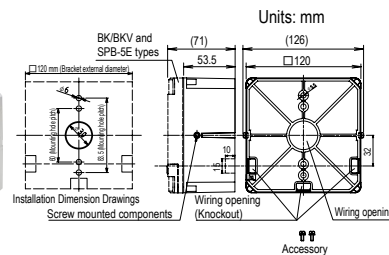
BK-002-J (light gray)

BK-002-K (dark gray)

Compatible models: BK, BKV,
SPB-5E



Mounting image



Optional

Network

Signal Tower

Signal Light

Revolving Warning Light

Cube Tower

Audibles

Hybrid Signaling Devices

LED Illumination

Options

Cable

Connector with cable
 (Omron model)
 SZ-120-02 (2m)
 (XS2F-D821-DH0-R)
 SZ-120-05 (5m)
 (XS2F-D821-GH0-R)
 SZ-120-10 (10m)
 (XS2F-D821-JH0-R)
 Supported type: LS7,LR6-WC



Network

SD card

SD card (2GB)
 SDV-2GP



Signal Tower

Signal Light

Global AC adaptor

ADP-001
 Compatible models
 NH series, NBM-D88NN, PHE-3FB3,
 PHC-D08, WDR-LE-Z2
 Compatible countries
 Japan, Europe, U.S., China, Korea, Taiwan, Thailand, Indonesia, Canada,
 Philippines, Vietnam



Revolving
 Warning Light

Cube Tower

Audibles

Hybrid
 Signaling
 Devices

LED
 Illumination

Options