

MP Options

MP-B

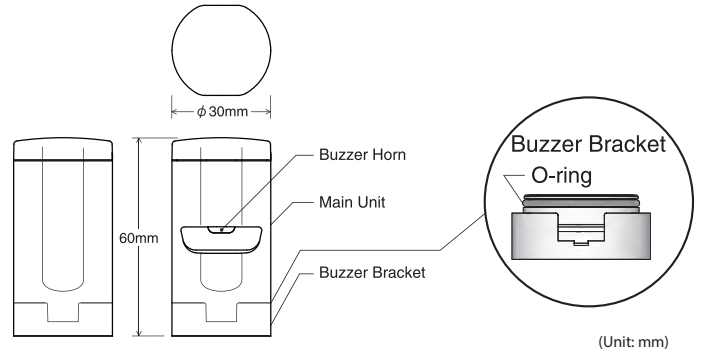
Signal Tower Option



FEATURES

- Double-insulation for enhanced durability and safety
- Direct mount installation with just a single screw
- Main body made of heat resistant ABS resin for superior impact resistance
- Compatible with the MP and MPS Signal Tower (The Red module is required when using the optional MP-B)
- Operates in conjunction with the Red LED module (Alarm activation with other colors must be special ordered).

Model	Rated Voltage	Sound Level	Power Consumption
⊙ MP-B	AC/DC 24V	80dB (at 1m)	0.7W
⊙ Requires Red LED Module			



CLA Options



Option

Rear Attachment
(Magnetic Mount)
Model SZ-310ARM



Option

Side Attachment
(Screw Mount)
Model SZ-310AS



Option

Side Attachment
(CLB-24N Compatible)
Model SZ-310ASB



Option

Rear Attachment
(Stainless Steel Screw Mount)
Model SZ-310EU

CLK Options

M12 Quick Disconnect



4-wire M12 Socket Cable, 5m
(No. 1536308)
4-wire M12 SUS Socket Cable, 5m
(No. 1552447)

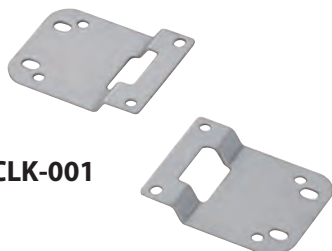
Daisy Link at a maximum of five units



4-wire M12 Link Cable, 0.6m
(No. 1518892)
4-wire M12 SUS Link Cable, 0.6m
(No. 1552638)

CLK/CWK Options

One-touch Installation



CLK-001

Angle Adjustment Bracket



SZ-320KS

Surface Mounting Bracket



SZ-330KP