

# Vise Style Parallel Connectors

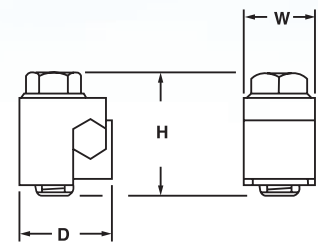
## Type FF

- Body and clamp are manufactured from high strength bronze alloy
- Silicon bronze washer head bolt
- Designed to be used as a copper to copper grounding splice or tap connection in utility, telecom, CATV, and residential applications
- Non-swiveling design with full thread engagement
- UL 467 listed



CATALOG NUMBER	CONDUCTOR RANGE		APPROXIMATE DIMENSIONS (IN.)			BOLT SIZE	HEX SIZE ACROSS FLATS
	MAXIMUM 2 CONDUCTORS	MINIMUM 2 CONDUCTORS	D	H	W		
FF-6*	6 Sol.	8 Sol.	.75	1.00	.63	1/4 - 28	3/8
FF-4	4 Str.	6 Sol.	.81	1.16	.63	5/16 - 24	9/16
FF-2	2 Str.	4 Sol.	.81	1.38	.81	5/16 - 24	9/16
FF-2/0	2/0 Str.	2 Sol.	1.13	1.88	.97	3/8 - 24	9/16
FF-4/0	4/0 Str.	1/0 Sol.	1.19	2.13	.94	3/8 - 24	9/16

\* Supplied with slotted hex head bolts only



# Vise Style Parallel Connectors

## Types VSFC and VSMC



- Manufactured from high strength cast bronze alloy
- Designed to be used as a copper to copper grounding splice or tap in utility, telecom, and residential applications
- Stainless steel hex head bolt and flat washer

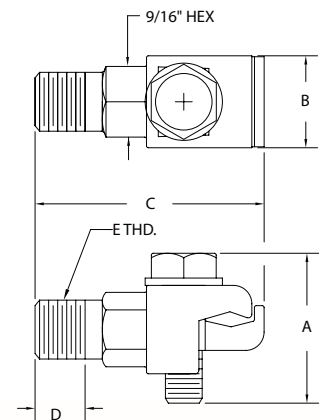


FIG. 1

CATALOG NUMBER	FIGURE NUMBER	CONDUCTOR RANGE	APPROXIMATE DIMENSIONS (IN.)						
			A	B	C	D	E (THD)	F	G (THD)
VSMC-8-1/0	1	8 Sol. - 1/0 Str.	1.45	.80	2.08	.50	1/2 - 13	-	-
VSMC-8-1/0-TN	1		1.45	.80	2.08	.50	1/2 - 13	-	-
VSMC-8-1/0-L	1		1.45	.80	2.50	.88	1/2 - 13	-	-
VSMC-8-1/0-L-TN	1		1.45	.80	2.50	.88	1/2 - 13	-	-
VSFC-8-1/0	2		1.45	.80	1.82	-	-	.66	3/8 - 16
VSFC-8-1/0-TN	2		1.45	.80	1.82	-	-	.66	3/8 - 16

\*Suffix TN indicates commercial thick electro tin plating

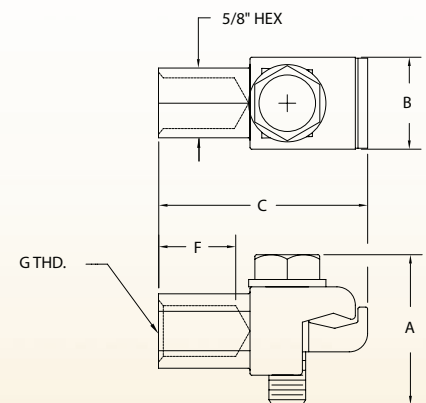


FIG. 2