

## Cubic Magnetic Field Sensors

## F12/F32 Series

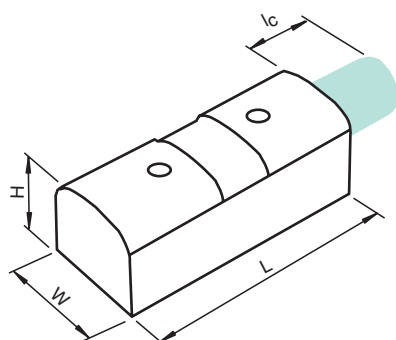


## Common Technical Data

Type of voltage	DC
-----------------	----

For detailed data and description, see the datasheet. Further products can be found online at [www.pepperl-fuchs.com](http://www.pepperl-fuchs.com).

Model Number	Mechanical Installation Conditions	Detection Range	Type of Output	Switching Element Function	Switching Frequency		Connection Type	Temperature (Min)	Temperature (Max)	Length L	Width W	Height H	UL	ATEX	IECEx	
					UB (Min)	UB (Max)										
50FY41-V4A-12	nonflush	2.5 mm	PNP/NPN	Normally-open (NO)		10 V	12 V	Fixed cable	-40 °C	100 °C	39 mm	39 mm	12.7 mm	■	■	■
50FY41-V4A-50	nonflush	2.5 mm	PNP/NPN	Normally-open (NO)		10 V	12 V	Fixed cable	-40 °C	100 °C	39 mm	39 mm	12.7 mm	■	■	■
50FY41-V4A-6	nonflush	2.5 mm	PNP/NPN	Normally-open (NO)		10 V	12 V	Fixed cable	-40 °C	100 °C	39 mm	39 mm	12.7 mm	■	■	■
MB-F32-A2	nonflush		PNP	complementary		10 V	30 V	Fixed cable	-25 °C	85 °C	50 mm	18 mm	21 mm			
MB-F32-A2-V1	nonflush		PNP	complementary		10 V	30 V	M12 connector plug	-25 °C	85 °C	50 mm	18 mm	21 mm			
MB35-F12-1N	flush	35 mm	NAMUR	Normally-open (NO)	5000 Hz	8.2 V	8.2 V	Fixed cable	-25 °C	70 °C	30 mm	12 mm	12 mm		■	■
MB35-F12-1N-5M	flush	35 mm	NAMUR	Normally-open (NO)	5000 Hz	8.2 V	8.2 V	Fixed cable	-25 °C	70 °C	30 mm	12 mm	12 mm		■	■



## Accessories

KE5D2-6H/2R-S	Safety monitor
V1-G-2M-PUR	Single-ended female cordset, M12, straight A-coded, 4-pin, PUR cable, gray
V1-W-2M-PUR	Single-ended female cordset, M12, angled, A-coded, 4-pin, PUR cable, gray
52FY31-V4A	Magnetic actuator

# Cylindrical Magnetic Field Sensors

## 8 mm/12 mm/18 mm Series

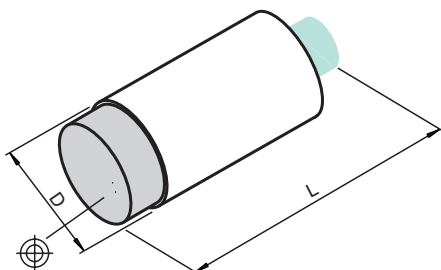


### Common Technical Data

<b>Mechanical installation conditions</b>	flush
<b>Switching element function</b>	Normally-open (NO)
<b>Type of voltage</b>	DC

For detailed data and description, see the datasheet. Further products can be found online at [www.pepperl-fuchs.com](http://www.pepperl-fuchs.com).

Model Number	Detection Range	Type of Output	Switching Frequency	UB (Min)	UB (Max)	Connection Type	Cable Length	Cable Material	Temperature (Min)	Temperature (Max)	Length L	Diameter D	UL	ATEX	IECEx
<b>MB60-8GM50-E2</b>	60 mm	PNP	5000 Hz	10 V	30 V	Fixed cable	2000 mm	PUR	-25 °C	75 °C	50 mm	8 mm	■		
<b>MB60-8GM50-E2-V3</b>	60 mm	PNP	5000 Hz	10 V	30 V	M8 connector plug			-25 °C	75 °C	60 mm	8 mm	■		
<b>MB60-12GM50-E2</b>	60 mm	PNP	5000 Hz	10 V	30 V	Fixed cable	2000 mm	PUR	-25 °C	75 °C	50 mm	12 mm	■		
<b>MMB60-12GH50-E2-V1</b>	60 mm	PNP	5000 Hz	10 V	30 V	M12 connector plug			-25 °C	75 °C	60 mm	12 mm	■		
<b>MMB60-12H50-E2-V1</b>	60 mm	PNP	5000 Hz	10 V	30 V	M12 connector plug			0 °C	100 °C	60 mm	12 mm	■		
<b>MMB70-12GH50-1N</b>	70 mm	NAMUR	1000 Hz	8.2 V	8.2 V	Fixed cable	2000 mm	PVC	-25 °C	70 °C	50 mm	12 mm		■	■
<b>MMB70-12GH50-1N-V1</b>	70 mm	NAMUR	1000 Hz	8.2 V	8.2 V	M12 connector plug			-25 °C	70 °C	60 mm	12 mm		■	■
<b>MMB70-18GH50-E2-V1</b>	70 mm	PNP	5000 Hz	10 V	30 V	M12 connector plug			-25 °C	75 °C	60 mm	18 mm	■		
<b>MB80-12GM50-E0</b>	80 mm	NPN	5000 Hz	10 V	30 V	Fixed cable	2000 mm	PVC	-25 °C	70 °C	50 mm	12 mm			
<b>MB80-12GM50-E0-PUR</b>	80 mm	NPN	5000 Hz	10 V	30 V	Fixed cable	2000 mm	PUR	-25 °C	70 °C	50 mm	12 mm			
<b>MB80-12GM50-E0-V1</b>	80 mm	NPN	5000 Hz	10 V	30 V	M12 connector plug			-25 °C	70 °C	65 mm	12 mm			
<b>MB80-12GM50-E2</b>	80 mm	PNP	5000 Hz	10 V	30 V	Fixed cable	2000 mm	PVC	-25 °C	70 °C	50 mm	12 mm			
<b>MB80-12GM50-E2-V1</b>	80 mm	PNP	5000 Hz	10 V	30 V	M12 connector plug			-25 °C	70 °C	65 mm	12 mm			



### Accessories

<b>BF 12</b>	Mounting adapter, 12 mm
<b>BF 8</b>	Mounting adapter, 8 mm
<b>DM 25-32-07</b>	Permanent magnet for magnetic field sensors
<b>DM 60-31-15</b>	Permanent magnet for magnetic field sensors
<b>V1-G-2M-PUR</b>	Single-ended female cordset, M12, straight A-coded, 4-pin, PUR cable, gray
<b>V1-G-OR2M-POC</b>	Single-ended female cordset, M12, straight, A-coded, 4-pin, POC cable, welding-bead resistant, orange, suitable for robots, torsion-proof, oil-resistant, cross-linked molecules
<b>V1-W-2M-PUR</b>	Single-ended female cordset, M12, angled, A-coded, 4-pin, PUR cable, gray
<b>V3-WM-2M-PUR</b>	Single-ended female cordset, M8, angled, A-coded, 3-pin, PUR cable, gray