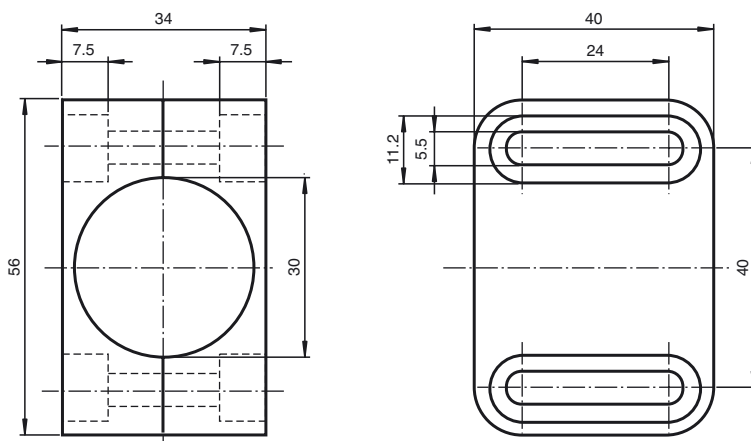




**Dimensions**



**Model Number**

**BF 30**

Mounting flange, 30 mm

**Features**

- Retainer for all cylindrical sensors with M30 thread
- Simple installation and exact setting
- Large sensing range (max. 18 mm)

**Technical data**

**General specifications**

Inside diameter 30 mm

**Ambient conditions**

Ambient temperature -25 ... 85 °C (-13 ... 185 °F)

**Mechanical specifications**

Material Base: Crastin/PBT (green)  
Upper section: PA (transparent)

Tightening torque, fastening screws ≤ 1.5 Nm

Dimensions 40 mm x 56 mm x 36 mm