



Model Number

CJ30-50K10-E0123-Y46139

Technical Data

General specifications

Switching function	Normally open/closed (NO/NC) switchable
Output type	PNP/NPN
Rated operating distance	s_n 30 mm
Installation	flush
Output polarity	DC
Assured operating distance	s_a 0 ... 25 mm
Output type	3-wire

Nominal ratings

Installation conditions	
B	0 mm
C	90 mm
F	100 mm
Operating voltage	U_B 10 ... 30 V
Switching frequency	f 0 ... 50 Hz
Hysteresis	H typ. 20 %
Reverse polarity protection	reverse polarity protected
Short-circuit protection	pulsing
Voltage drop	U_d ≤ 2.5 V
Operating current	I_L 0 ... 150 mA
Lowest operating current	I_m 0 mA
Off-state current	I_r 0 ... 0.1 mA typ. 0.1 μ A at 25 °C
No-load supply current	I_0 ≤ 15 mA
Time delay before availability	t_v ≤ 50 ms
Switching state indicator	Multihole-LED, yellow

Functional safety related parameters

MTTF _d	554 a
Mission Time (T _M)	20 a
Diagnostic Coverage (DC)	0 %

Ambient conditions

Ambient temperature	-30 ... 60 °C (-22 ... 140 °F)
---------------------	--------------------------------

Mechanical specifications

Connection type	cable PUR , 2 m
Core cross-section	0.25 mm ²
Housing material	POM
Sensing face	POM
Degree of protection	IP67

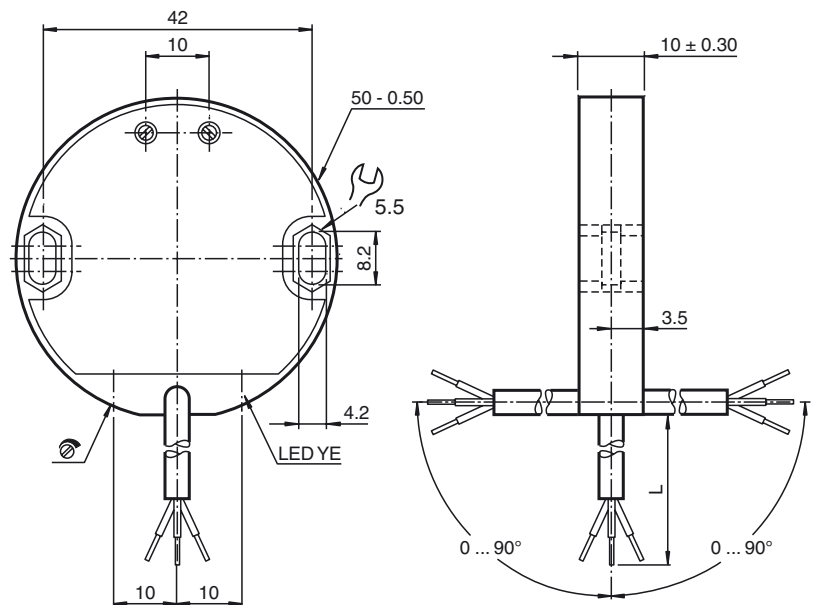
Compliance with standards and directives

Standard conformity	
Standards	EN 60947-5-2:2007 EN 60947-5-2/A1:2012 IEC 60947-5-2:2007 IEC 60947-5-2 AMD 1:2012

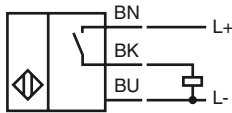
Approvals and certificates

UL approval	cULus Listed, General Purpose
CSA approval	cCSAus Listed, General Purpose

Dimensions



Electrical Connection



The switching state is indicated by LED visible in three directions with the output function break contact / make contact / PNP / NPN freely configurable via rotary switch.

Adjustment:

The adjustment is via the flush mounted adjustment potentiometer.

Change-over:

For the functional coding PNP/NPN and break/make contact there is a rotary switch each at the back of the sensor.

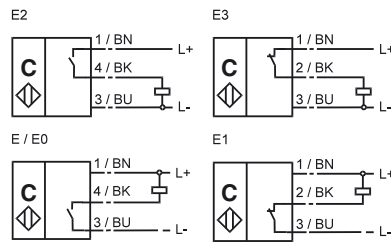
The adjustment is carried out by turning the appropriate switch to the position corresponding to the switching function (ground stop).

Delivery state: E2 (PNP, make contact)

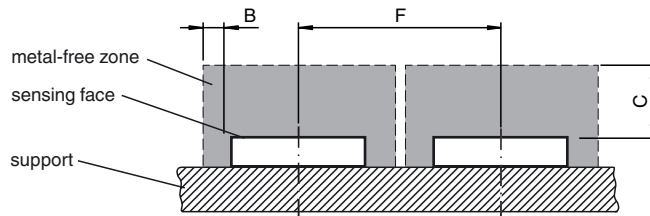
Break/make contact coding:

By turning 270 degree to the left the change-over from PNP to NPN is achieved.

Connection diagrams:



Installation Conditions



Release date: 2017-01-13 08:12 Date of issue: 2017-01-13 046139_eng.xml