



Model Number

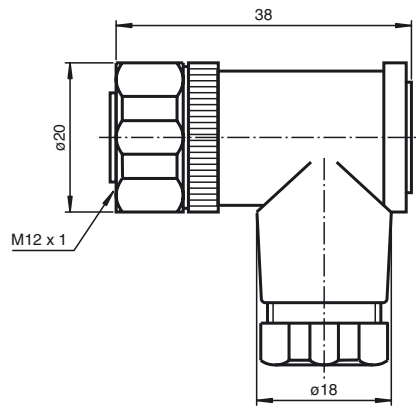
V1-WV2A

Female cordset, field attachable

Features

- Coupling stainless steel nut
- Gold plated contacts

Dimensions



Technical data

General specifications

Number of pins	4
UL File Number	E363587

Electrical specifications

Operating voltage	U_B	max. 250 V AC/DC
Operating current		max. 4 A
Volume resistance		< 3 m Ω

Ambient conditions

Ambient temperature	-40 ... 85 °C (-40 ... 185 °F)
Pollution Degree	3

Mechanical specifications

Degree of protection	IP67
Connection	1 x M12 right-angled connector Screw terminals for max. 0.75 mm ² PG7 cable gland

Material

Contacts	CuSn
Contact surface	Au
Body	PA 66
Slotted nut	Stainless steel 1.4305 / AISI 303
Cable	
Sheath diameter	4 ... 6 mm

Compliance with standards and directives

Standard conformity	
Degree of protection	EN 60529:2000

Electrical connection

