



### Model Number

#### KC-LCDC-48-6T-24VDC

LCD batch controller with 6 optocoupler outputs and 24 V<sub>DC</sub> supply voltage

### Features

- Counter/Timer/Tachometer
- Adding/subtracting via 2 separate inputs
- Batch controller with 6 pre-selections
- 6 floating optocoupler outputs
- Easy-to-read, 2-line LCD display with symbols for indicated pre-selection and the status of the two outputs
- Multicolor display
- Display range and preselection range from -999999 up to 999999  
Overflow will be evaluated correctly up to 1 decade
- PNP and NPN sensors can be connected
- Degree of protection IP65 (front only)

### Technical data

#### General specifications

Pre-selection	6-fold
Data storage	> 10 years, EEPROM
Programming	keypad-driven menu

#### Functional safety related parameters

MTTF <sub>d</sub>	410 a
Mission Time (T <sub>M</sub> )	10 a
Diagnostic Coverage (DC)	0 %

#### Indicators/operating means

Type	2-line, 2 x 6-digit LC display with leading sign Multicolor, backlit
Display value	digit height 9 mm
Pre-selection	digit height 7 mm
Key interlock	via "high" potential at "LOCK" input
Decimal point	0 to max 5 fractional digits
Scale factor	0.0001 ... 99.9999
Reset	manually or external

#### Electrical specifications

Fusing	10 ... 30 V DC: T 0.2 A
Operating voltage	U <sub>B</sub> 10 ... 30 V DC
Power consumption	P <sub>0</sub> max. 1.5 W

#### Input

Connection	Counter inputs: A and B Control/reset inputs: LOCK, RESET, GATE, MPI
Signal voltage	
High	0.6 x U <sub>e</sub> ... 30 V DC
Low	0 ... 0.2 x U <sub>e</sub>
Counting frequency	max. 50 kHz
Minimum pulse duration	Control/reset inputs: 10 ms / 1 ms
Impedance	5 kOhm
Count modes	
Pulse counter	Counting with counting direction (cnt.dir), difference counting (up.dn), up/down counting (quad), Cumulative counting (up.up), up/down counting x 2 (quad 2), up/down counting x 4 (quad 4), additional functions for counter input A and counter input B: A/B, (A-B)/A x 100%
Frequency counter	functions for input A and input B: A, A-B, A+B quad, A/B, (A-B)/A x 100 %
Timer	Time measurement via GATE input (FrEr <sub>un</sub> ), counter input A: Start, counter input B: Stop (InpA.InpB.), counter input B: Start/Stop (InpB.InpB.), time measuring via RESET input (auto)

#### Output

Sensor supply	connected power supply is looped through, max. 80 mA
Response time	Add/Sub/autorepeat < 6 ms A/B; (A-B)/A: < 23 ms
Optocoupler	output 1 to 6, NPN-Opto coupler output 3 to 6 with common emitter Schaltleistung 30 V DC / 10 mA
Signal voltage	U <sub>CESAT</sub> with I <sub>C</sub> = 10 mA: max. 2 V U <sub>CESAT</sub> with I <sub>C</sub> = 5 mA: max. 0.4 V

#### Ambient conditions

Ambient temperature	-20 ... 65 °C (-4 ... 149 °F)
Storage temperature	-25 ... 75 °C (-13 ... 167 °F)
Relative humidity	≤ 93 % at 40 °C (noncondensing)
Altitude	0 ... 2000 m

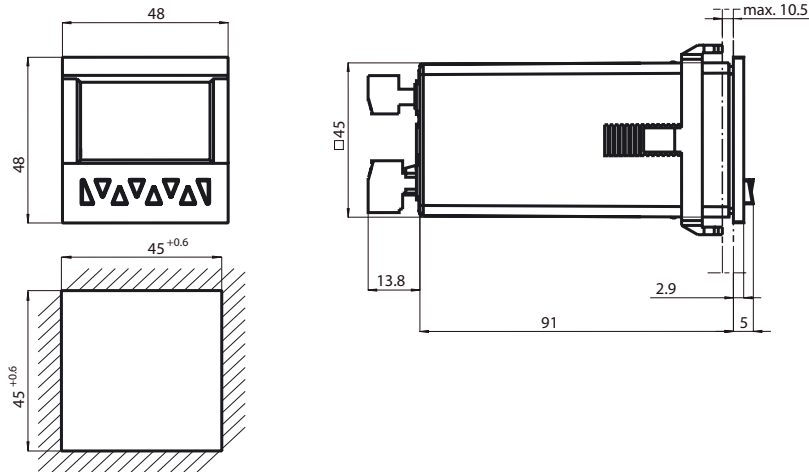
#### Mechanical specifications

Degree of protection	IP65 (front)
Mass	approx. 147 g
Dimensions	48 mm x 48 mm x 109.8 mm

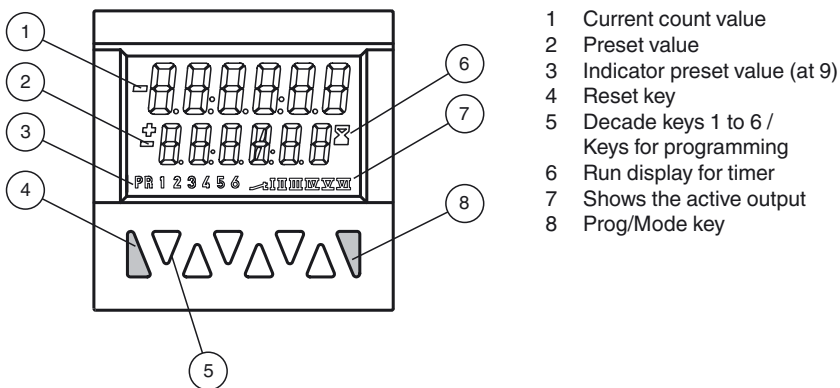
#### Compliance with standards and directives

Directive conformity	
EMC Directive 2004/108/EC	EN 61000-6-2:2005, EN 50295:1999
Standard conformity	
Emitted interference	DIN EN 55011:2009, Class B
Mech. capacity	EN 60068-2-6:2008 10 ... 55 Hz / 1 mm / XYZ 30 min in each direction
Shock and impact resistance	EN 60068-2-27:1995 100 G / 2 ms / XYZ 3 times in each direction

**Dimensions**

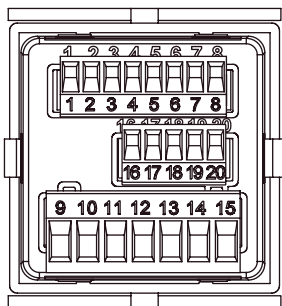


**Indicators / Operating means**



- 1 Current count value
- 2 Preset value
- 3 Indicator preset value (at 9)
- 4 Reset key
- 5 Decade keys 1 to 6 / Keys for programming
- 6 Run display for timer
- 7 Shows the active output
- 8 Prog/Mode key

**Electrical connection**



**Signal and control inputs**

- 1 Sensor supply voltage
- 2 GND (0V)
- 3 INP A (Signal input A)
- 4 INP B (Signal input B)
- 5 RESET (Reset input)
- 6 LOCK (Input Keypad lock)
- 7 GATE (Gate input)
- 8 MPI (User input)

**Supply voltage and outputs**

- |    |                |   |                |
|----|----------------|---|----------------|
| 9  | Collector      | } | Output 1       |
| 10 | Emitter        |   |                |
| 11 | Collector      | } | Output 2       |
| 12 | not connected  |   |                |
| 13 | Emitter        | } | Supply voltage |
| 14 | 10 ... 30 V DC |   |                |
| 15 | GND (0V)       | } | Output 3 - 6   |
| 16 | Common Emitter |   |                |
| 17 | Collector 6    |   |                |
| 18 | Collector 5    |   |                |
| 19 | Collector 4    |   |                |
| 20 | Collector 3    |   |                |

Release date: 2016-09-12 10:30 Date of issue: 2016-09-12 215121\_eng.xml