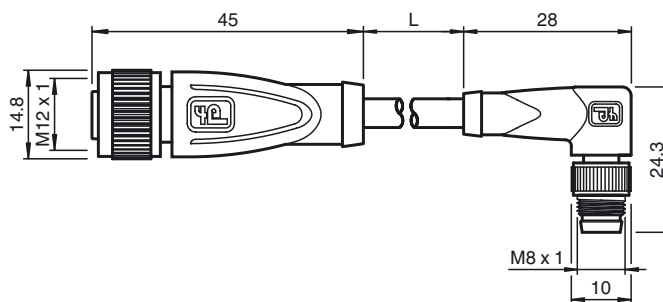




Dimensions



Model Number

V1-G-2M-PUR-V31-WM

Connection cable, M12 to M8, PUR cable, 4-pin

Features

- Knurled nut suitable for tool assembly
- Immunity to vibration, with mechanical latching
- Gold-plated and machined contacts
- Resistant to microbes and hydrolysis
- Halogen-free

Technical data

General specifications

Number of pins 4

Electrical specifications

Operating voltage U_B max. 30 V DC
 Test voltage > 1500 V_{eff} AC
 Operating current I_B max. 3 A
 Volume resistance < 5 mΩ

Ambient conditions

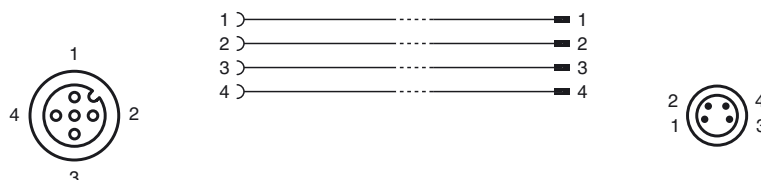
Ambient temperature -40 ... 90 °C (-40 ... 194 °F)
 cable, fixed: -40 ... 80 °C (-40 ... 176 °F)
 cable, flexing: -20 ... 80 °C (-4 ... 176 °F)

Pollution degree 3

Mechanical specifications

Contact elements spring-loaded contact socket
 Pin diameter 1 mm
 Degree of protection IP67
 Material
 Contacts CuSn / Au
 Contact surface Au
 Body TPU, green
 Cable PUR
 Slotted nut Diecast zinc
 Sleeve connector Diecast zinc
 Core insulation PP
 Cable fine-strand, flexible
 Sheath diameter Ø 4.3 mm
 Bending radius > 15 x cable diameter, moving
 > 8 x cable diameter, fixed
 Color grey
 Cores 4 x 0.25 mm²
 Conductor construction 14 x 0.15 mm Ø
 Length L 2 m
 Flammability
 Contact carrier 94 HB
 Housing 94 V-2

Electrical connection



Release date: 2017-03-27 14:51 Date of issue: 2017-03-27 221134_eng.xml