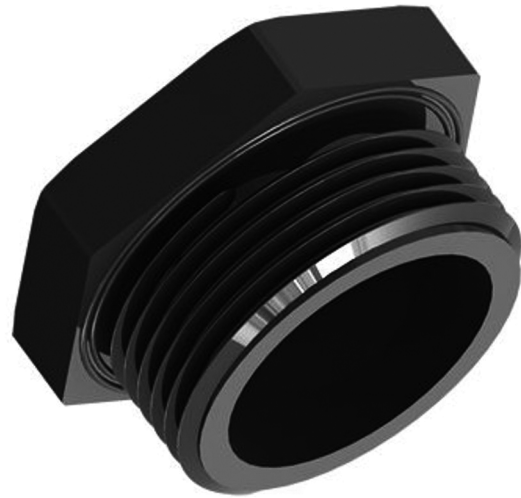


Features

- Stopping plug for unused cable entries
- High impact-resistant polyamide material, black
- Thread M40
- Hexagon head
- Ex eb and Ex tb certified
- Suitable for operation in Zone 1, Zone 2, Zone 21 and Zone 22
- Full impact resistance of 7 J at -40 °C according to IEC/EN 60079-0 for the full range without limitations
- Packaging unit: 10 pieces, without accessories

Assembly**Technical data****Mechanical specifications**

Thread type	metric ISO pitch 1.5 mm
Thread size (TD)	M40
Degree of protection	IP66 / IP68
Material	
Finish	inherent color black
Washer gasket	flat chloroprene gasket
Stopping plug	high impact-resistant polyamide

Mass

Individual component	approx. 22 g
Packing unit	approx. 220 g

Dimensions

Diameter thru-hole (DT)	40 ... 40.3 mm
Width across flats (SW1)	46 mm
Thread length (TL)	18 mm
Total length (L)	26.5 mm
Tightening torque	
Nut torque at enclosure (SW1)	6 Nm

Ambient conditions

Ambient temperature	-40 ... 70 °C (-40 ... 158 °F)
---------------------	--------------------------------

Data for application in connection with hazardous areas

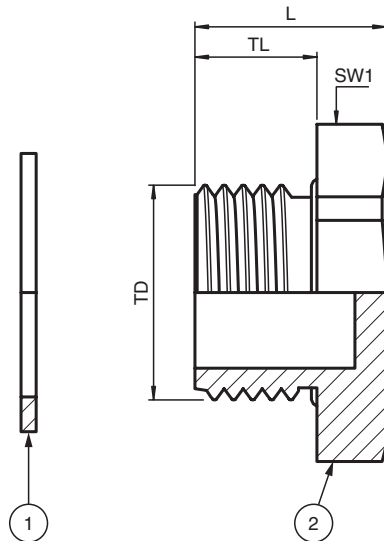
EU-type examination certificate	IMQ 15 ATEX 006 X
Marking	 II 2 GD Ex eb IIC Gb Ex tb IIIC Db

International approvals

IECEx approval	IECEx IMQ 15.0001X
----------------	--------------------

EAC approval	TC RU C-TR.GB05.B.00918
Conformity	
Degree of protection	EN 60529
General information	
Delivery quantity	10
Scope of delivery	Stopping Plugs, Plastic brief instructions (1 copy)
Supplementary information	EC-Type Examination Certificate, Statement of Conformity, Declaration of Conformity, Attestation of Conformity and instructions have to be observed where applicable. For information see www.pepperl-fuchs.com .

Dimensions



Legend

1	Flat gasket
2	Stopping plug
L	Total length
SW*	Width across flats
TD	Thread size
TL	Thread length

Release date 2019-08-07 10:48 Date of issue 2019-08-07 291463_eng.xml