

PF 65000

Filterfan®

PFA 60000**Exhaust filter**

- Installation size 6, air flow rate up to 297 CFM
- Three performance classes, cut-out compatible
- System of protection IP 54 and IP 55, NEMA type 12
- UL, cUL to NITW2 Category and CE approved, CSA pending
- Cut-out compatible with installation size 6 from the 3rd Generation (see page 159)

**Options:**

- **UV-resistance / EMC, consult factory for part numbers**

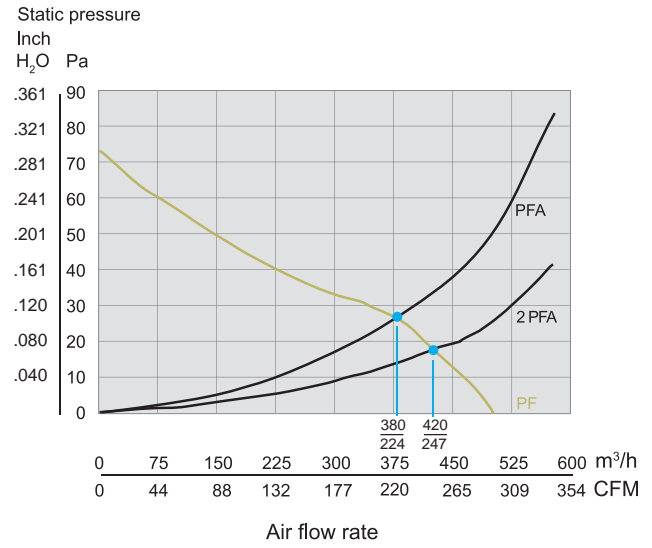
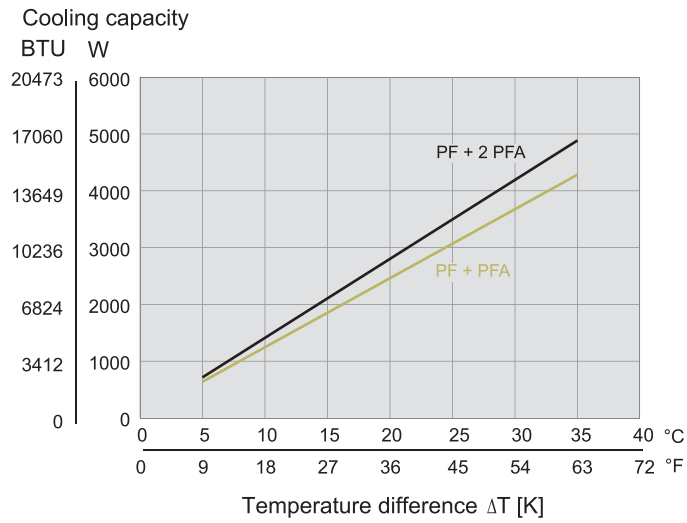
| Data | | PF 65000 | | Unit |
|---|---------------------------|---|-------------|----------------------------|
| Part number | RAL 9011 (Black Grill) | 11665104050 | 11665154050 | |
| | RAL 7035 (Lt. Gray Grill) | 11665104055 | 11665154055 | |
| AC 50 Hz / 60 Hz | | | | |
| Rated voltage ± 10 % | | 230 | 115 | V |
| Unimpeded airflow (CFM2) | | 297 (505) | | CFM (m ³ /h) |
| Air flow rate in combination (PF + PFA 60000) (CFM3) | | 224 (380) | | |
| Power consumption | | 65 / 80 | 75 / 90 | W |
| Current consumption | | 0.3 / 0.36 | 0.66 / 0.8 | A |
| Noise level (according to EN ISO 3741) | | 54 / 52 | | dB(A) |
| Weight | | 7 (3.2) | | lb (kg) |
| Type of connection | | spring-type terminal | | |
| Fuse (Recommended) | | 6 | | A |
| System of protection according to EN 60529 / UL 50 | IP 55 | NEMA Type 12 - fluted filter / IP55 | | |
| Filtration efficiency | IP 55 | 91 | | % |
| Filter mat quality class ¹ | IP 55 | G 4 | | |
| Duty cycle | | 100 | | % |
| Bearing type | | ball bearing | | |
| Service life L ₁₀ (+ 40 °C) ² | | 40000 | | h |
| Temperature range | | + 5 ... + 131 / - 15 ... + 55 | | °F / °C |
| Material Protection Rating | | made of injection-molded thermoplastic, self-extinguishing, UL 94 VO, UV-resistant optional | | |

| Accessories | | Piece | Part number | Information on page |
|--------------------------|---------------------------|-------|-------------|---------------------|
| Exhaust filter PFA 60000 | RAL 9011 (Black Grill) | 1 | 11760004050 | 164 |
| | RAL 7035 (Lt. Gray Grill) | 1 | 11760004055 | 164 |
| Thermostat FLZ 530° F | | 1 | 17121000010 | 174 |

¹ according to DIN EN 779

² fan failure is defined as being when the current and speed deviate or the operating noises are out of the ordinary
Approvals see page 132

| Cooling Capacity Performance Curves | Static Pressure Performance Curves |
|-------------------------------------|------------------------------------|
| PF 65000 T12 / IP 55 (& UV option) | PF 65000 T12 / IP 55 (& UV option) |

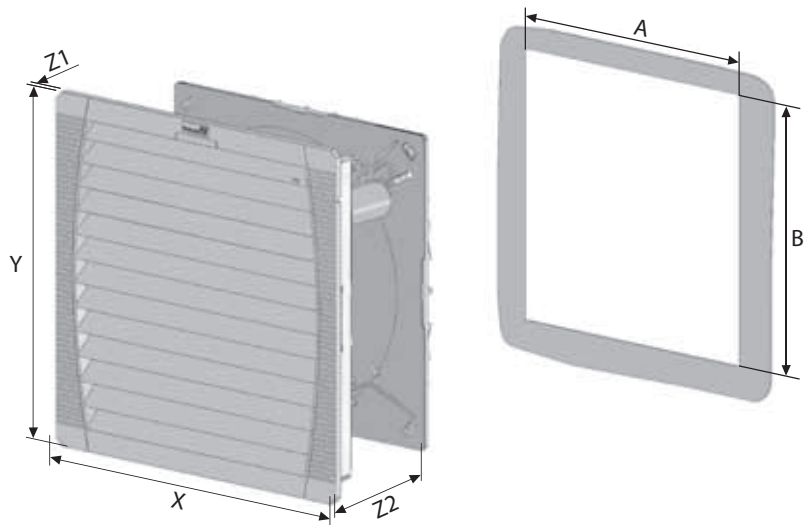


Dimensions

| inches (mm) | PF 65000 | PFA 60000 |
|----------------------|--------------------------|--------------------------|
| X | 12.6 (320) | 12.6 (320) |
| Y | 12.6 (320) | 12.6 (320) |
| Z1 | .28 (7) | .28 (7) |
| Z2 | 5.91 (150) | 1.54 (39) |
| A¹ | 11.46 (291) ² | 11.46 (291) ² |
| B¹ | 11.46 (291) ² | 11.46 (291) ² |

¹ for material thicknesses up to .08" (2 mm)
+.039 (+1 mm) for thickness of material > .08" (2 mm) ≤ .19" (3 mm)

² add .039" (1 mm) for EMC version



PF 66000

Filterfan®

PFA 60000

Exhaust filter



- Installation size 6, air flow rate up to 462 CFM
- Three performance classes, cut-out compatible
- System of protection IP 54 and IP 55, NEMA type 12
- UL, cUL to NITW2 Category and CE approved, CSA pending
- Cut-out compatible with installation size 6 from the 3rd Generation (see page 159)

Options:

- **UV-resistance / EMC, consult factory for part numbers**

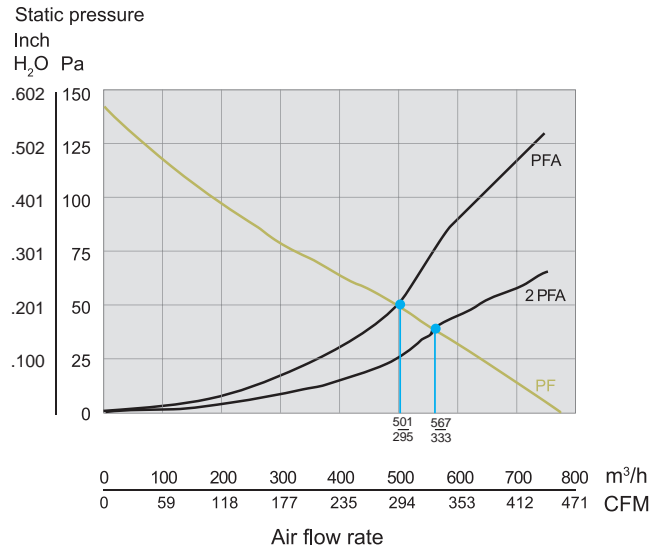
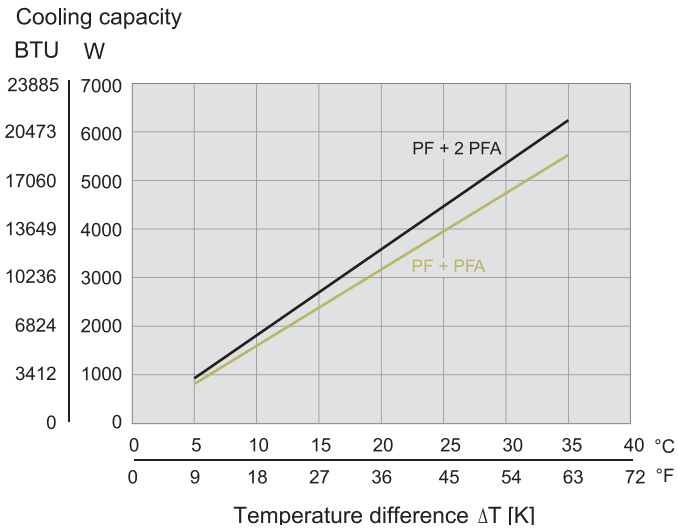
| Data | | PF 66000 | | | Unit |
|---|---------------------------|---|-------------|-------------|----------------------------|
| Part number | RAL 9011 (Black Grill) | 11666024050 | 11666104050 | 11666154050 | |
| | RAL 7035 (Lt. Gray Grill) | 11666024055 | 11666104055 | 11666154055 | |
| | | AC 50 Hz / 60 Hz | | | |
| Rated voltage ± 10 % | | 400 / 460 | 230 | 115 | V |
| Unimpeded airflow (CFM2) | | 462 (785) | | | CFM (m ³ /h) |
| Air flow rate in combination (PF + PFA 60000) (CFM3) | | 295 (501) | | | CFM (m ³ /h) |
| Power consumption | | 120 / 155 | 115 / 150 | 110 / 160 | W |
| Current consumption | | 0.26 / 0.25 | 0.51 / 0.66 | 0.96 / 1.4 | A |
| Noise level (according to EN ISO 3741) | | 63 / 64 | | | dB(A) |
| Weight | | 7 (3.2) | | | lb (kg) |
| Type of connection | | spring-type terminal | | | |
| Fuse (Recommended) | | 6 | | | A |
| System of protection according to EN 60529 / UL 50 | | NEMA Type 12 - standard filter / IP55 | | | |
| Filtration efficiency | | 91 | | | % |
| Filter mat quality class ¹ | | G 4 | | | |
| Duty cycle | | 100 | | | % |
| Bearing type | | ball bearing | | | |
| Service life L ₁₀ (+ 40 °C) ² | | 40000 | | | h |
| Temperature range | | + 5 ... + 131 / - 15 ... + 55 | | | °C / °F |
| Material Protection Rating | | made of injection-molded thermoplastic, self-extinguishing, UL 94 VO, UV-resistant optional | | | |

| Accessories | | Piece | Part number | Information on page |
|--------------------------|---------------------------|-------|-------------|---------------------|
| Exhaust filter PFA 60000 | RAL 9011 (Black Grill) | 1 | 11760004050 | 164 |
| | RAL 7035 (Lt. Gray Grill) | 1 | 11760004055 | 164 |
| Thermostat FLZ 530° F | | 1 | 17121000010 | 174 |

¹ according to DIN EN 779

² fan failure is defined as being when the current and speed deviate or the operating noises are out of the ordinary
Approvals see page 132

| Cooling Capacity Performance Curves | Static Pressure Performance Curves |
|-------------------------------------|------------------------------------|
| PF 66000 T12 / IP 55 (& UV option) | PF 66000 T12 / IP 55 (& UV option) |

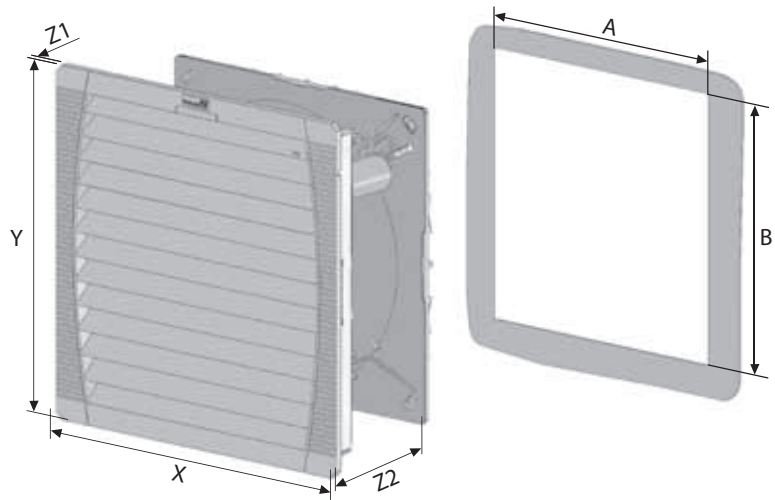


Dimensions

| inches (mm) | PF 66000 | PFA 60000 |
|----------------------|--------------------------|--------------------------|
| X | 12.6 (320) | 12.6 (320) |
| Y | 12.6 (320) | 12.6 (320) |
| Z1 | .28 (7) | .28 (7) |
| Z2 | 5.91 (150) | 1.54 (39) |
| A¹ | 11.46 (291) ² | 11.46 (291) ² |
| B¹ | 11.46 (291) ² | 11.46 (291) ² |

¹ for material thicknesses up to .08" (2 mm)
+.039 (+1 mm) for thickness of material > .08" (2 mm) ≤ .19" (3 mm)

² add .039" (1 mm) for EMC version



PF 67000

Filterfan®

PFA 60000**Exhaust filter**

- Installation size 6, air flow rate up to 560 CFM
- Three performance classes, cut-out compatible
- System of protection IP 54 and IP 55, NEMA type 12
- UL, cUL to NITW2 Category and CE approved, CSA pending
- Cut-out compatible with installation size 6 from the 3rd Generation (see page 159)

Options:

- **UV-resistance / EMC, consult factory for part numbers**

| Data | PF 67000 | | | Unit |
|---|---|-------------|-------------|----------------------------|
| Part number RAL 9011 (Black Grill) | 11667024050 | 11667104050 | 11667154050 | |
| RAL 7035 (Lt. Gray Grill) | 11667024055 | 11667104055 | 11667154055 | |
| | AC 50 Hz / 60 Hz | | | |
| Rated voltage ± 10 % | 400 / 460 | 230 | 115 | V |
| Unimpeded airflow (CFM2) | 560 (950) | | | CFM (m ³ /h) |
| Air flow rate in combination (PF + PFA 60000) (CFM3) | 368 (625) | | | |
| Power consumption | 140 / 170 | 135 / 200 | 140 / 195 | W |
| Current consumption | 0.35 / 0.43 | 0.59 / 0.88 | 1.23 / 1.71 | A |
| Noise level (according to EN ISO 3741) | 66 / 69 | | | dB(A) |
| Weight | 8.16 (3.7) | | | lb (kg) |
| Type of connection | spring-type terminal | | | |
| Fuse (Recommended) | 6 | | | A |
| System of protection according to EN 60529 / UL 50 | NEMA Type 12 - fluted filter / IP 55 | | | |
| Filtration efficiency | 91 | | | % |
| Filter mat quality class ¹ | G 4 | | | |
| Duty cycle | 100 | | | % |
| Bearing type | ball bearing | | | |
| Service life L ₁₀ (+ 40 °C) ² | 40000 | | | h |
| Temperature range | + 5 ... + 131 / - 15 ... + 55 | | | °F / °C |
| Material Protection Rating | made of injection-molded thermoplastic, self-extinguishing, UL 94 VO, UV-resistant optional | | | |

| Accessories | Piece | Part number | Information on page |
|---|-------|-------------|---------------------|
| Exhaust filter PFA 60000 RAL 9011 (Black Grill) | 1 | 11760004050 | 164 |
| RAL 7035 (Lt. Gray Grill) | 1 | 11760004055 | 164 |
| Thermostat FLZ 530° F | 1 | 17121000010 | 174 |

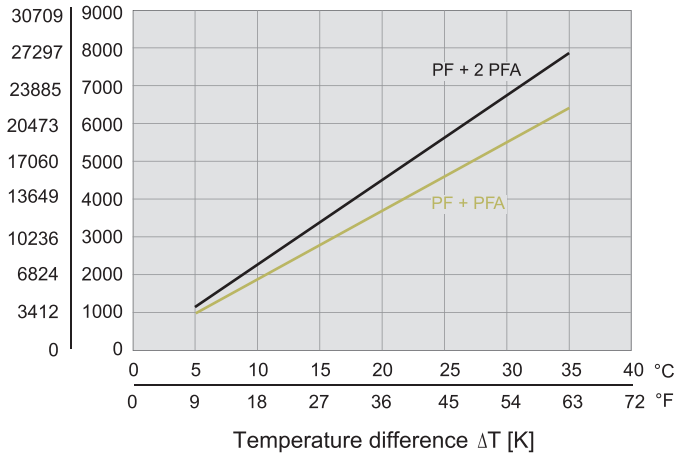
¹ according to DIN EN 779

² fan failure is defined as being when the current and speed deviate or the operating noises are out of the ordinary
Approvals see page 132

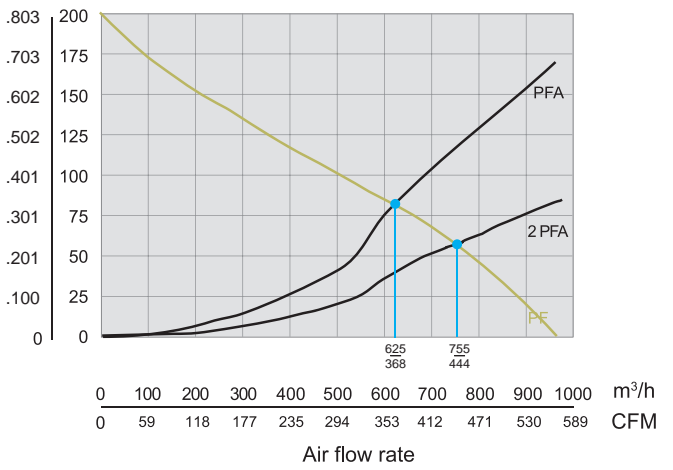
| Cooling Capacity Performance Curves | Static Pressure Performance Curves |
|-------------------------------------|------------------------------------|
| PF 67000 T12 / IP 55 (& UV option) | PF 67000 T12 / IP 55 (& UV option) |

Cooling capacity

BTU W



Static pressure
Inch
H₂O Pa

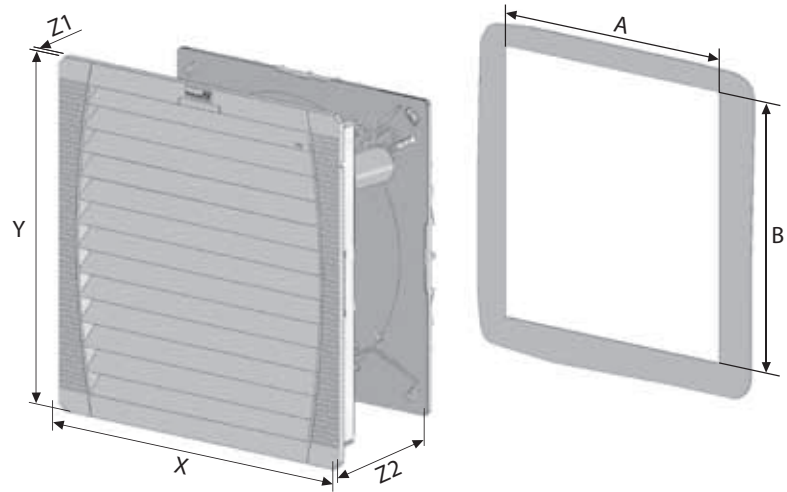


Dimensions

| inches (mm) | PF 67000 | PFA 60000 |
|----------------------|--------------------------|--------------------------|
| X | 12.6 (320) | 12.6 (320) |
| Y | 12.6 (320) | 12.6 (320) |
| Z1 | .28 (7) | .28 (7) |
| Z2 | 5.91 (150) | 1.54 (39) |
| A¹ | 11.46 (291) ² | 11.46 (291) ² |
| B¹ | 11.46 (291) ² | 11.46 (291) ² |

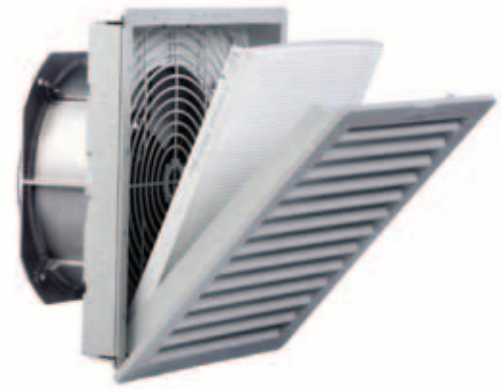
¹ for material thicknesses up to .08" (2 mm)
+.039 (+1 mm) for thickness of material > .08" (2 mm) ≤ .19" (3 mm)

² add .039" (1 mm) for EMC version



PF 65000 SL

Slim Line Filterfan®



Pfannenberg 4th Generation filterfan® with low installation depth

- Installation size 6, air flow rate up to 325 CFM
- Three performance classes, cut-out-compatible
- System of protection IP 55, NEMA Type 12
- UL, cUL to NITW2 Category and CE approved, CSA pending

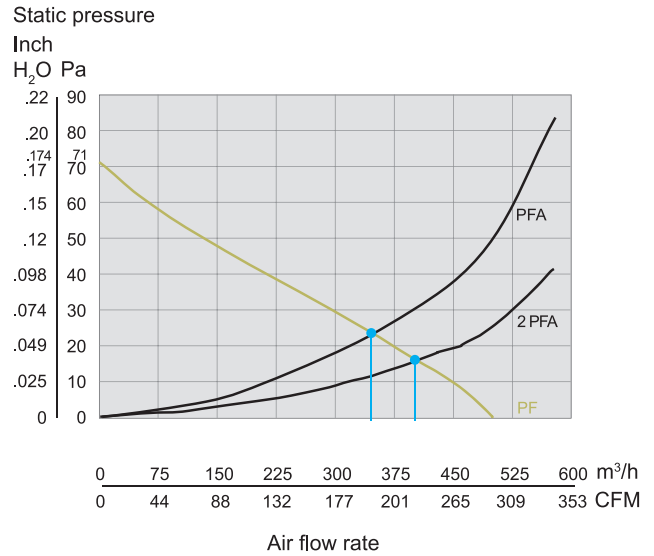
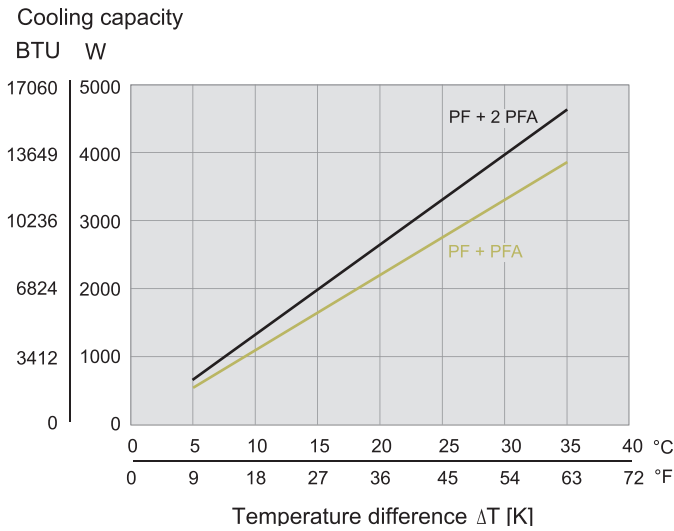
| Data | PF 65000 SL | | Unit | |
|---|---|-------------|----------------------------|--|
| Part number | RAL 9011 (Black Grill) | 11675104050 | 11675154050 | |
| | RAL 7035 (Lt. Gray Grill) | 11675104055 | 11675154055 | |
| | AC 50 Hz / 60 Hz | | | |
| Rated voltage ± 10 % | 230 | 115 | V | |
| Unimpeded airflow (CFM2) | 325 (550) | | CFM (m ³ /h) | |
| Air flow rate in combination (PF + PFA 60000) (CFM3) | 250 (423) | | | |
| Power consumption | 64 / 80 | | W | |
| Current consumption | 0.29 / 0.35 | 0.58 / 0.70 | A | |
| Noise level (according to EN ISO 3741) | 54 / 52 | | dB(A) | |
| Weight | 7 (3.3) | | lb (kg) | |
| Type of connection | spring-type terminal | | | |
| Fuse (Recommended) | 6 | | A | |
| System of protection according to EN 60529 / UL 50 | NEMA Type 12 - fluted filter / IP 55 | | | |
| Filtration efficiency | 91 | | % | |
| Filter mat quality class¹ | G 4 | | | |
| Duty cycle | 100 | | % | |
| Bearing type | ball bearing | | | |
| Service life L₁₀ (+ 40 °C)² | 40000 | | h | |
| Temperature range | + 5 ... + 131 / - 15 ... + 55 | | °F / °C | |
| Material Protection Rating | made of injection-molded thermoplastic, self-extinguishing, UL 94 VO, UV-resistant optional | | | |

| Accessories | Piece | Part number | Information on page | |
|---------------------------------|---------------------------|-------------|---------------------|-----|
| Exhaust filter PFA 60000 | RAL 9011 (Black Grill) | 1 | 11760004050 | 164 |
| | RAL 7035 (Lt. Gray Grill) | 1 | 11760004055 | 164 |
| Thermostat FLZ 530° F | | 1 | 17121000010 | 174 |

¹ according to DIN EN 779

² fan failure is defined as being when the current and speed deviate or the operating noises are out of the ordinary
Approvals see page 132

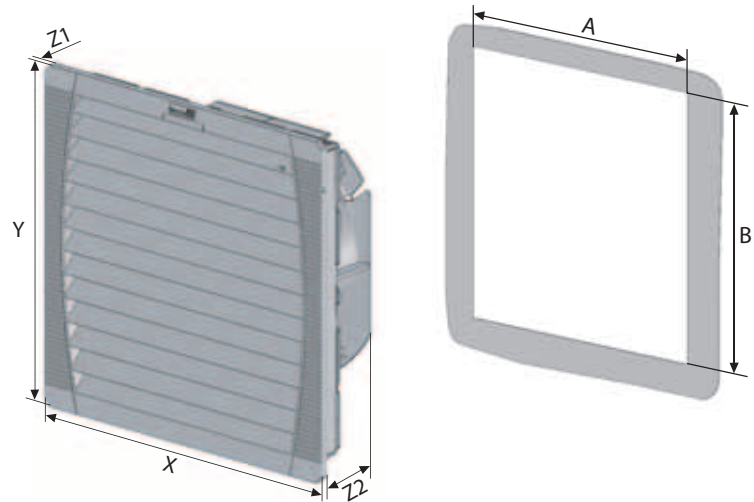
| Cooling Capacity Performance Curves | Static Pressure Performance Curves |
|-------------------------------------|------------------------------------|
| PF 65000 SL | PF 65000 SL |



Dimensions

| inches (mm) | PF 65000 SL | PFA 60000 |
|----------------|-------------|-------------|
| X | 12.6 (320) | 12.6 (320) |
| Y | 12.6 (320) | 12.6 (320) |
| Z1 | .28 (7) | .28 (7) |
| Z2 | 4.88 (124) | 1.54 (39) |
| A' | 11.46 (291) | 11.46 (291) |
| B' | 11.46 (291) | 11.46 (291) |

¹ for material thicknesses up to .08" (2 mm)
+.039 (+1 mm) for thickness of material > .08" (2 mm) ≤ .19" (3 mm)



PF 67000 SL

Slim Line Filterfan®



Pfannenbergs 4th Generation filterfan with low installation depth

- Installation size 6, air flow rate up to 427 CFM
- Three performance classes, cut-out-compatible
- System of protection IP 55, NEMA Type 12
- UL, cUL to NITW2 Category and CE approved, CSA pending

| Data | PF 67000 SL | | | Unit |
|---|---|-------------|-------------|----------------------------|
| Part number RAL 9011 (Black Grill) | 16677124050 | 11677104050 | 11677154050 | |
| RAL 7035 (Lt. Gray Grill) | 16677124055 | 11677104055 | 11677154055 | |
| | AC 50 Hz / 60 Hz | | | |
| Rated voltage ± 10 % | 400 / 460 | 230 | 115 | V |
| Unimpeded airflow (CFM2) | 427 (725) | | | CFM (m ³ /h) |
| Air flow rate in combination (PF + PFA 60000) (CFM3) | 342 (580) | | | |
| Power consumption | 110 / 165 | 127 / 180 | 120 / 165 | W |
| Current consumption | 0.2 / 0.23 | 0.56 / 0.79 | 1.05 / 1.45 | A |
| Noise level (according to EN ISO 3741) | 66 / 69 | | | dB(A) |
| Weight | (8.49) 3.85 | 8.93 (4.05) | 8.82 (4.00) | lb (kg) |
| Type of connection | spring-type terminal | | | |
| Fuse (Recommended) | 6 | | | A |
| System of protection according to EN 60529 / UL 50 | NEMA Type 12 - fluted filter / IP 55 | | | |
| Filtration efficiency | 91 | | | % |
| Filter mat quality class¹ | G4 | | | |
| Duty cycle | 100 | | | % |
| Bearing type | ball bearing | | | |
| Service life L₁₀ (+ 40 °C)² | 40000 | | | h |
| Temperature range | + 5 ... + 131 / - 15 ... + 55 | | | °F / °C |
| Material Protection Rating | made of injection-molded thermoplastic, self-extinguishing, UL 94 VO, UV-resistant optional | | | |

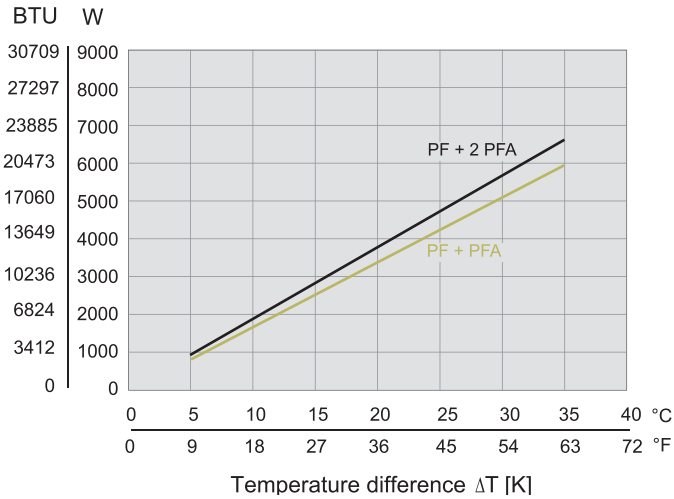
| Accessories | Piece | Part number | Information on page |
|--|-------|-------------|---------------------|
| Exhaust filter PFA 60000 RAL 9011 (Black Grill) | 1 | 11760004050 | 164 |
| RAL 7035 (Lt. Gray Grill) | 1 | 11760004055 | 164 |
| Thermostat FLZ 530° F | 1 | 17121000010 | 174 |

¹ according to DIN EN 779

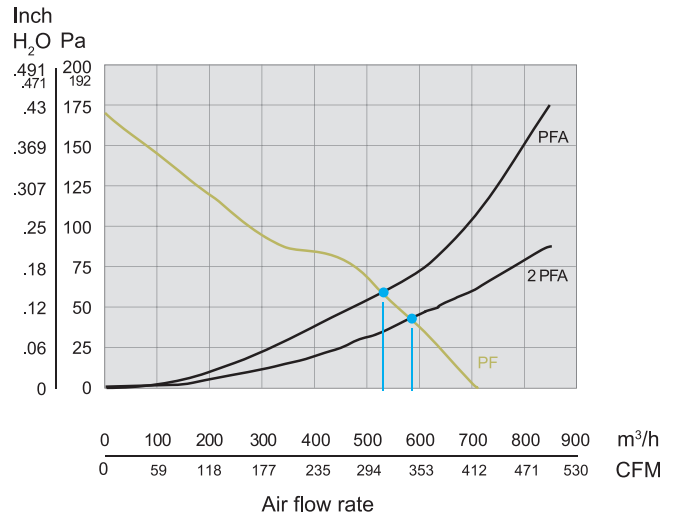
² fan failure is defined as being when the current and speed deviate or the operating noises are out of the ordinary
Approvals see page 132

| Cooling Capacity Performance Curves | Static Pressure Performance Curves |
|-------------------------------------|------------------------------------|
| PF 67000 SL | PF 67000 SL |

Cooling capacity



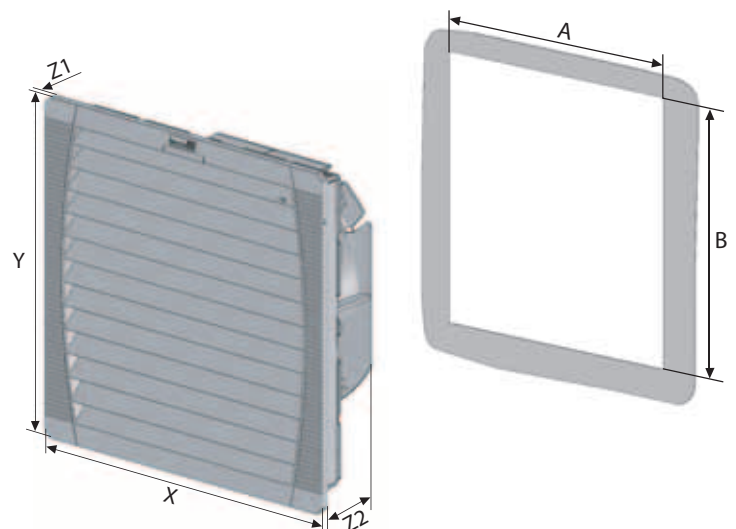
Static pressure



Dimensions

| inches (mm) | PF 67000 SL | PFA 60000 |
|----------------|-------------|-------------|
| X | 12.6 (320) | 12.6 (320) |
| Y | 12.6 (320) | 12.6 (320) |
| Z1 | .28 (7) | .28 (7) |
| Z2 | 5 (127) | 1.54 (39) |
| A' | 11.46 (291) | 11.46 (291) |
| B' | 11.46 (291) | 11.46 (291) |

¹ for material thicknesses up to .08" (2 mm)
+.039 (+1 mm) for thickness of material > .08" (2 mm) ≤ .19" (3 mm)

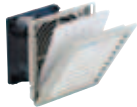
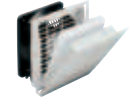











Filterfans® 3rd/4th Generation

Comparison

| | Filterfans® 4 th Generation | Installation size | Cut-out inches (mm) | Filterfans® 3 rd Generation |
|---|---|-------------------|---------------------------|---|
| Flat profile Filterfans® from the PF Series | | | | |
|  | PF 11000 | 1 | 3.62 x 3.62 (92 x 92) | PF 1000 |
|  | PF 22000 | 2 | 4.92 x 4.92 (125 x 125) | PF 2000 |
|  | PF 32000 | 3 | 6.97 x 6.97 (177 x 177) | N/A |
|  | PF 42500 | 4 | 8.78 x 8.78 (223 x 223) | PF 2500 |
| | PF 43000 | | | PF 3000 |
|  | PF 65000 | 6 | 11.46 x 11.46 (291 x 291) | PF 5000 |
| | PF 66000 | | | PF 6000 |
| | PF 67000 | | | PF 7000 |
| Flat profile exhaust filters from the PFA Series | | | | |
|  | PFA 10000 | 1 | 3.62 x 3.62 (92 x 92) | PFA 1000 |
|  | PFA 20000 | 2 | 4.92 x 4.92 (125 x 125) | PFA 2000 |
|  | PFA 30000 | 3 | 6.97 x 6.97 (177 x 177) | N/A |
|  | PFA 40000 | 4 | 8.78 x 8.78 (223 x 223) | PFA 2500 |
| | | | | PFA 3000 |
|  | PFA 60000 | 6 | 11.46 x 11.46 (291 x 291) | PFA 5000 |
| | | | | PFA 6000 |
| | | | | PFA 7000 |

3rd Generation Filterfans®

| Type | Air flow rate CFM2 | Rated voltage | Cut-out dimensions inches (mm) | Approvals | | | | | |
|-----------------------------------|-----------------------|-----------------------|--------------------------------------|-----------|-----|------|-----|----|---|
| | | | | UL | cUL | GOST | CSA | CE | |
| PF Series Filterfans® | | | | | | | | | |
| PF 1000 | 16 | 115 V / 230 V AC | 3.62 x 3.62 (92 x 92) | ● | ● | ● | ● | ● |  |
| | | 12 V / 24 V / 48 V DC | | | | | | | |
| PF 2000 | 38 | 115 V / 230 V AC | 4.92 x 4.92 (125 x 125) | ● | ● | ● | ● | ● |  |
| | | 12 V / 24 V / 48 V DC | | | | | | | |
| PF 2500 | 89 | 115 V / 230 V AC | 6.97 x 6.97 (177 x 177) | ● | ● | ● | ● | ● |  |
| | | 12 V / 24 V / 48 V DC | | | | | | | |
| PF 3000 | 169 | 115 V / 230 V AC | 8.78 x 8.78 (223 x 223) | ● | ● | ● | ● | ● |  |
| | | 400 V 2 Ø¹ | | | | | | | |
| | | 12 V / 24 V / 48 V DC | | | | | | | |
| PF 5000 | 324 | 115 V / 230 V AC | 11.46 x 11.46 (291 x 291) | ● | ● | ● | ● | ● |  |
| PF 6000 | 410 | 400 V 3 Ø | 11.46 x 11.46 (291 x 291) | ● | ● | ● | ● | ● |  |
| | | 115 V / 230 V AC | | | | | | | |
| PF 7000 | 506 | 115 V / 230 V AC | 11.46 x 11.46 (291 x 291) | ● | ● | ● | ● | ● |  |
| | | 400 V 3 Ø | | | | | | | |
| PFA Series exhaust filters | | | | | | | | | |
| PFA 1000 | N/A | N/A | 3.62 x 3.62 (92 x 92) | ● | ● | ● | ● | ● |  |
| PFA 2500 | N/A | N/A | 4.92 x 4.92 (125 x 125) | ● | ● | ● | ● | ● |  |
| PFA 3000 | | | | | | | | | |
| PFA 3000 | N/A | N/A | 8.78 x 8.78 (223 x 223) | ● | ● | ● | ● | ● |  |
| PFA 5000 | N/A | N/A | 11.46 x 11.46 (291 x 291) | ● | ● | ● | ● | ● |  |
| PFA 6000 | | | | | | | | | |
| PFA 7000 | | | | | | | | | |

PTF 60500

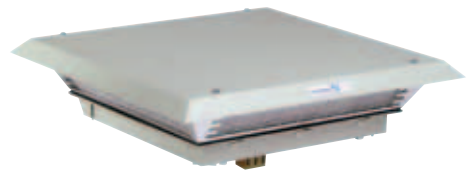
PTF 60700

PTF 61000

Filterfan® for roof mounting

PTFA 60000

Top exhaust filter for roof mounting



- 2 Sizes, air flow rate up to 441 CFM
- Three performance classes, all with the same cut-out
- Hardware free "Click & Fit" mounting
- NEMA 12 System protection
- Optimum passage of air and even temperature distribution (natural air convection is supported)
- Toolless mounting, patented quick fastening system
- UL, cUL to NITW2 Category and CE approved, CSA pending

| Data | PTF 60500 | | PTF 60700 | | PTF 61000 | | Unit |
|--|--|---------------|---------------|-------------|---------------|-------------|---------------|
| Part number RAL 7035 (Lt. Gray Grill) | 11685101055 | 11685151055 | 11087102055 | 11087152055 | 11081102055 | 11081152055 | |
| | AC 50 Hz / 60 Hz | | | | | | |
| Rated voltage ± 10 % | 230 | 115 | 230 | 115 | 230 | 115 | V |
| Unimpeded airflow (CFM2) | 206 (350) | | 324 (550) | | 441 (750) | | CFM (m³/h) |
| Air flow rate in combination (PTF + PFA 60000) (CFM3) | 142 (242) | | 218 (370) | | 294 (500) | | |
| Power consumption | 4 x 28 / 29 | 4 x 29 / 24 | 65 / 80 | 75 / 90 | 115 / 150 | 110 / 160 | W |
| Current consumption | 4 x 0.2 / 0.2 | 4 x 0.3 / 0.3 | 0.3 / 0.36 | 0.66 / 0.8 | 0.51 / 0.66 | 0.96 / 1.4 | A |
| Noise level (according to EN ISO 3741) | 147.71 (67) | | 152.12 (69) | | 169.76 (77) | | dB(A) |
| Weight | 5.5 | | 5.8 | | 6.0 | | lb (kg) |
| Type of connection | terminal strip | | | | | | |
| Fuse (Recommended) | 6 | | | | | | A |
| System of protection according to EN 60529 / UL 50 | IP 33, IP 54 | | | | | | |
| Filtration efficiency | 81 | | | | | | % |
| Filter mat quality class¹ | G 3 | | | | | | |
| Duty cycle | 100 | | | | | | % |
| Bearing type | ball bearing | | | | | | |
| Service life L₁₀ (+ 40 °C)² | approx. 50000 ³ | | approx. 40000 | | approx. 40000 | | h |
| Temperature range | + 5 ... + 131 / - 15 ... + 55 | | | | | | °F / °C |
| Material Protection Rating | sheet steel, cover powder-coated; snap-in housing made of injection-moulded thermoplastic (ABS-FR) self-extinguishing, UL 94 VO | | | | | | |

| Accessories | Piece | Part number | Information on page |
|--|-------|-------------|---------------------|
| Exhaust filter PFA 60000 RAL 9011 (Black Grill) | 1 | 11760004050 | 164 |
| RAL 7035 (Lt. Gray Grill) | 1 | 11760004055 | 164 |
| Thermostat FLZ 530° F | 1 | 17121000010 | 174 |

¹ according to DIN EN 779

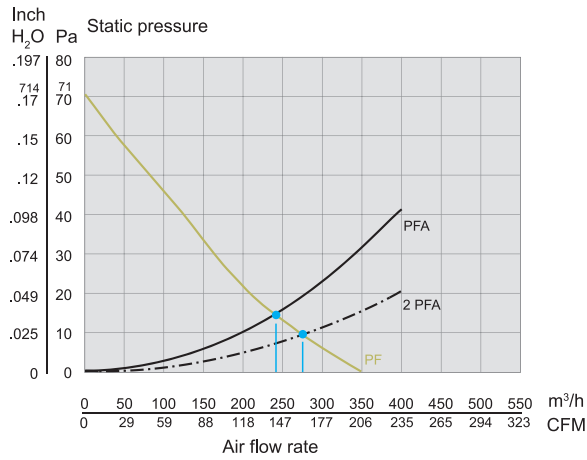
² fan failure is defined as being when the current and speed deviate or the operating noises are out of the ordinary

³ L₁₀ (+25 °C)

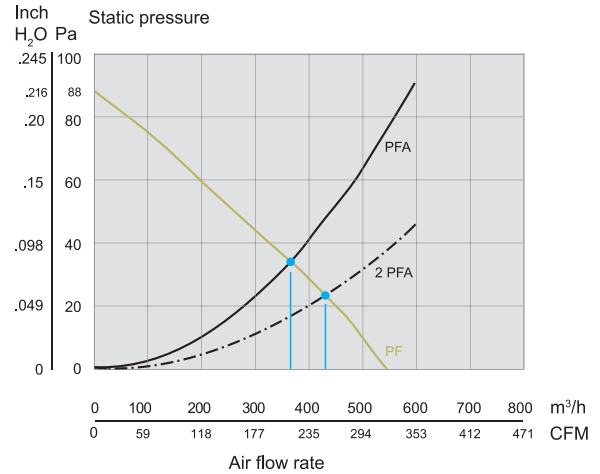
Approvals see page 132

Static Pressure Performance Curves

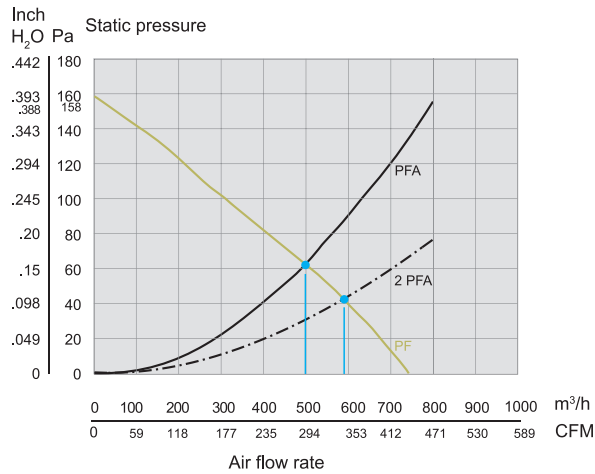
PTF 60500 IP 54



PTF 60700 IP 54



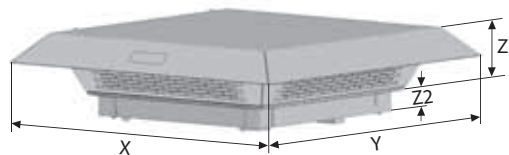
PTF 61000 IP 54



Dimensions

| inches (mm) | PTF 60500 | PTF 60700 | PTF 6000 |
|----------------------|------------|------------|------------|
| X | 17 (430) | 18.5 (470) | 18.5 (470) |
| Y | 17 (430) | 18.5 (470) | 18.5 (470) |
| Z1 | 3 (75) | 3.5 (90) | 3.5 (90) |
| Z2 | 2 (50) | 2 (50) | 2 (50) |
| A¹ | 11.5 (291) | 11.5 (291) | 11.5 (291) |
| B¹ | 11.5 (291) | 11.5 (291) | 11.5 (291) |

¹ for material thicknesses up to .08" (2 mm)
+.039 (+1 mm) for thickness of material > .08" (2 mm) ≤ .19" (3 mm)

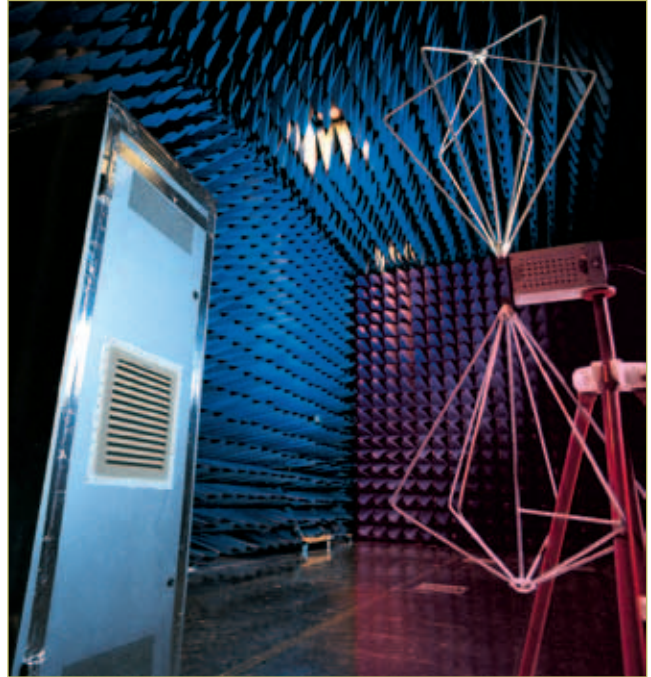


EMC Filterfans® (EMC series)

If filterfans® are used for thermal management, openings must exist in the cabinet. These can allow electromagnetic radiation to pass in or out unhindered. Pfannenberg offers the widest range of EMC Filterfans® as solutions to this problem.

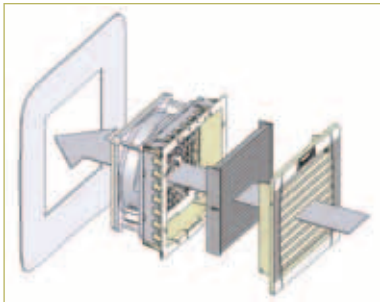
You too can find the right combination of EMC filterfan® and exhaust filter for air flow rates from 17 to 560 CFM2

In accordance with the basic principle of our company we have dispensed with the use of metallized plastics, because these are difficult to recycle.



New metal shielding

- unequalled worldwide: contact surfaces without beryllium-copper seal!
- contact springs



No elaborate reworking of the cut-out

- no adhering of copper tape or similar aids
- no time-consuming scratching off of coatings in order to ensure a good contact
- contact is made via the cut edge of the cut-out for the filterfan® or exhaust filter

EMC – electromagnetic compatibility

In standards, electromagnetic compatibility, or 'EMC' for short, is defined as the ability of a component, device or system to function satisfactorily under the influence of electromagnetic fields in its surroundings, without influencing its surroundings, to which other electrical equipment also belongs, in an impermissible way. We guarantee that our EMC shielded filterfans provide protection against electromagnetic interference by ensuring continuity between the shielding part of

the fan and the metal structure of the cabinet based on the attenuation characteristics below:

Attenuation at 30 MHz approx. 71 dB

Attenuation at 400 MHz approx. 57 dB

Measured in accordance with EN 50 147-1 (1996): absorber rooms, part 1, measurement of screening attenuation.

Options



Exhaust filters for all PF Filterfans

- Same design as the PF series filterfans
- Snap fastener developed and patented by Pfannenberg
- Door mounting without screws in accordance with VDE 0113 (EN 60204)
- Simple filter mat exchange during operation
- With integrated foam seal to enclosure

| Product | Cut-out ¹ | Part number (Black) | Part number (Lt. Gray) |
|------------------|----------------------|---------------------|------------------------|
| PFA 10000 | 92 x 92 mm | 11710001050 | 11710001055 |
| PFA 20000 | 125 x 125 mm | 11720004050 | 11720004055 |
| PFA 30000 | 177 x 177 mm | 11730004050 | 11730004055 |
| PFA 40000 | 223 x 223 mm | 11740004050 | 11740004055 |
| PFA 60000 | 291 x 291 mm | 11760004050 | 11760004055 |

¹ EMC version + 1 mm

| Product | Cut-out | Part number (Lt. Gray) |
|-------------------|--------------|------------------------|
| PTFA 60000 | 291 x 291 mm | 11186002054 |

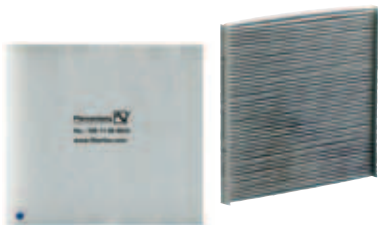


Thermostat and Hygrostat

In combination with thermostats and hygrometers from the FLZ series Pfannenberg Filterfans® additionally achieve savings on energy, materials and time plus a significantly longer service life. This results in an optimized environmental balance as well as greater reliability of your production process.

Suitable for all Pfannenberg Filterfans®.

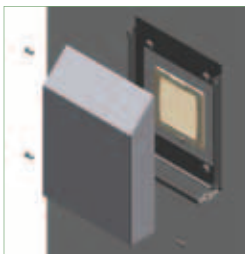
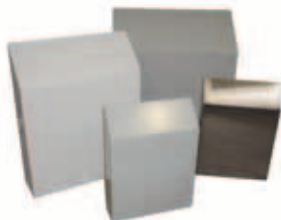
| Product | Part numbers | |
|--|--------------|-------------|
| | 0 - 60° C | 32 - 140° F |
| FLZ 530 Thermostat | 17121000000 | 17121000010 |
| FLZ 541 Dual Thermostat | 17141000000 | 17141000010 |
| FLZ 600 Hygrostat 40 ... 90 % R.H. | 17207000000 | |
| FLZ 610 Thermostat/Hygrostat 40 ... 90 % R.H. | 17218100000 | 17218151000 |



Spare filter mats for filterfans® of the 3rd and 4th Generation and top mounting filterfans®.

| Suitable for ... | Part number ¹ (3rd) | Part number ¹ (4th) |
|---------------------------------|--------------------------------|--------------------------------|
| Installation size 1 | 18611600000 | 18611600029 |
| Installation size 2 | 18611600001 | 18611600034 |
| Installation size 3 | N/A | 18611600035 |
| Installation size 4 | 18611600006 | 18611600036 |
| Installation size 6 | 18611600011 | 18611600037 |
| PTF 60500 and PTFA 60000 | N/A | 18611600038 |
| PTF 60700 and PTFA 61000 | N/A | 18611600039 |

¹ Set with 5 pieces



Weather protection hoods - UL NEMA Type 3R

Weather protection hood in stainless steel or powder-coated.

| Suitable for ... | Part number | | |
|---|-----------------|----------------|---------------------|
| | Stainless Steel | ANSI 61 (Gray) | RAL 7035 (Lt. Gray) |
| Installation size 1 and 2 | 18102000014 | 18102000012 | 18102000013 |
| Installation size 3 and 4 | 18102000017 | 18102000015 | 18102000016 |
| Installation size 6 | 18102000020 | 18102000018 | 18102000019 |
| Mesh & Snow Plug Galvanized Kits | | | |
| Kit for 20000 | 18102000021 | | |
| Kit for 40000 | 18102000022 | | |
| Kit for 60000 | 18102000023 | | |