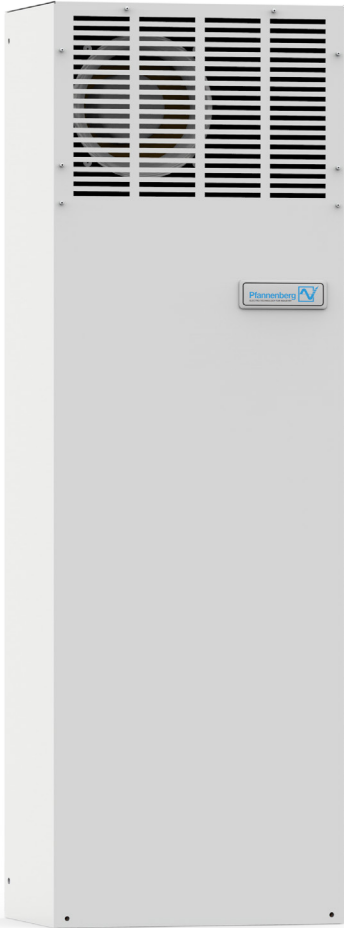
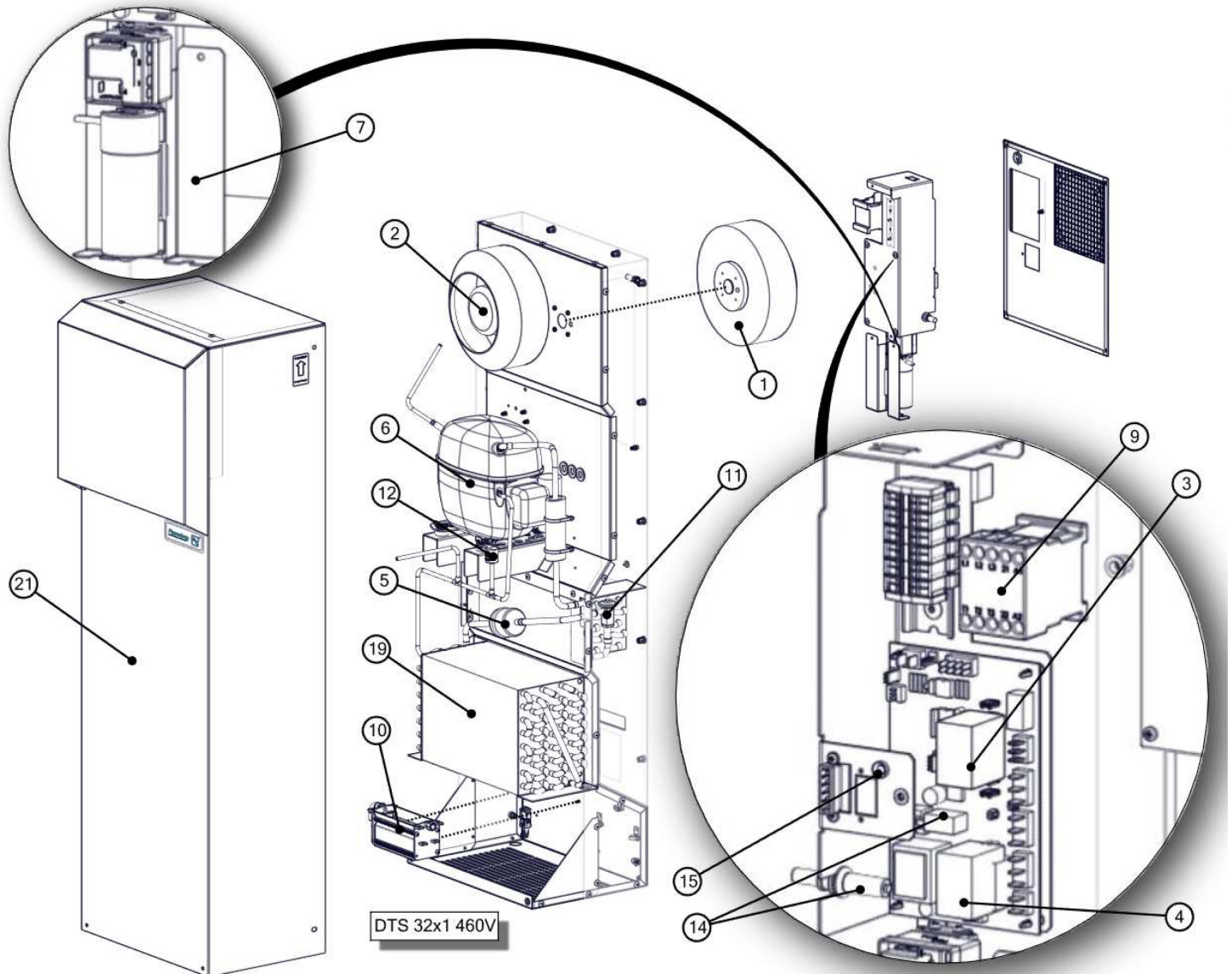


# DTS 3241-81



# DTS 3241-81

SPARE PARTS

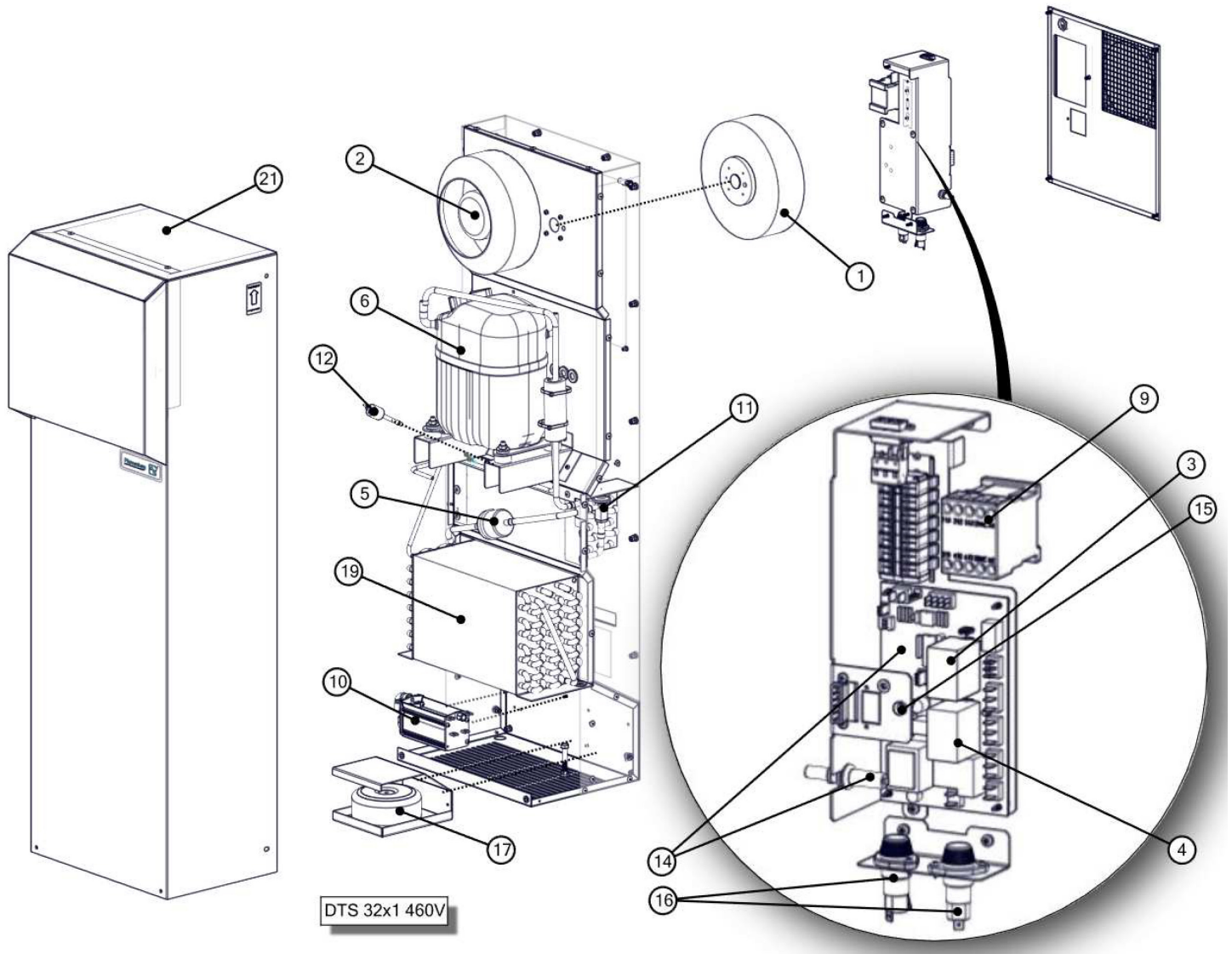


## Items Not Shown

- 8 Compressor Sump Heater
- 13 Pressure Head Control DTS 3265/85
- 16 Fuses (not required)
- 17 Transformer (not required)
- 18 Phase Monitor (not required)
- 20 Access Pack

# DTS 3241-81

SPARE PARTS



## Items Not Shown

- 7 Start Components (115/230V only)
- 8 Compressor Sump Heater
- 13 Pressure Head Control DTS 3265/85
- 18 Phase Monitor (not required)
- 20 Access Pack

# DTS 3241-81

## COMPLETE PARTS LIST



### DTS 32X1 (3241, 3261, 3281)

Position	Description	DTS 32X1 (3241, 3261, 3281) 115V	DTS 32X1 (3241, 3261, 3281) 230V	DTS 32X1 (3241, 3261, 3281) 400V / 460V
1	Evap Fan Assembly	18811100018	18811100020	18811100020
2	Condensor Fan Assembly	18811100018	18811100020	18811100020
3	C12 Capacitor (evap fan)	18881300029	18884000003	18884000003
4	C11 Capacitor (cond fan)	18881300029	18884000003	18884000003
5	Filter/Dryer	18885000001	18885000001	18885000001
6	Compressor	18881200008	18881200009	18881200014
7	Compressor Start Components	Call for Availability	18886200000	N/A
8	Compressor Sump Heater	Call for Availability	Call for Availability	Call for Availability
9	CRM 40 (compressor relay)	18883000011	18883000025	18883000025
10	Condensation Evaporator	18883000016	18883000016	18883000016
11	TXV	18815000006	18815000006	18815000006
12	High Pressure Switch	18815000023	18815000023	18815000023
13	Low Pressure Switch	18885000008	18885000008	18885000008
14	PCB (control board)	18810000009	18810000011	18810000011
15	Status LED	18883000028	18883000028	18883000028
16	FU2/FU3 (fuses)	N/A	N/A	18883000022
17	Transformer	N/A	N/A	18883000005
18	Phase Monitor Relay	N/A	N/A	N/A
19	Condenser Coil	18881400005	18881400005	18881400005
20	Accessory Pack	18882000006	18882000006	18882000006
21	Cover Assembly	18880200014	18880200014	18880200014
22	Mechanical Thermostat	N/A	N/A	N/A
23	Inverter	N/A	N/A	N/A
24	Metal Mesh Filter	18881500001	18881500001	18881500001
25	Temp Sensor	18810000024	18810000024	18810000024
26	Wago connection kit	Call for Availability	Call for Availability	Call for Availability

**SERVICE, REPAIRS, SPARE PARTS, RMA'S**