

# Thermostat Serie FLZ



Mechanical bi-metallic thermostat for temperature in enclosures. Suitable for Pfannenberg Filterfans® and heaters and also for monitoring temperature.

Different models available fitted with either change-over contact with neutral position, NCC or NOC. Function at increasing temperature. AS-i slave module also available.



Level of protection

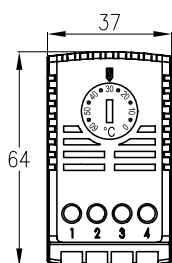


suitable for both 50 Hz and 60 Hz

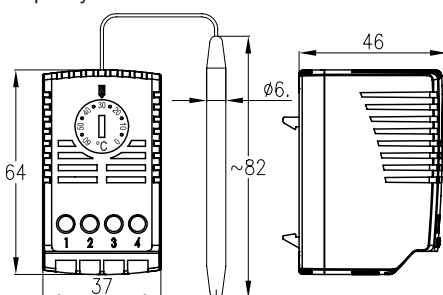


| Technical data:  | FLZ 510   | FLZ 520   | FLZ 530  | FLZ 550 AS-i                                       |
|--|---|---|--|--|
| Type of contact  | change over switch with spring contact  | NCC with spring contact   | NOC with spring contact                                | integrated AS-i bus slave                          |
| Available setting ranges   |   | - 20 °C (- 4 °F) ... + 40 °C (+ 104 °F)<br>0 °C (+32 °F) ... + 60 °C (+ 140 °F)<br>+ 20 °C (+ 68 °F) ... + 80 °C (+ 176 °F) |  | -10°C (+14°F) ... +60°C (+140°F)                   |
| Max. breaking capacity, value in brackets inductive load at cos(phi) = 0,6 | NCC: 100-250V AC/10(2)A<br>NOC: 100-250V AC/5(2)A<br>DC: max. 30W   |   | 240V AC / 10(2) A<br>120V AC / 15(2) A<br>DC: max. 30W | < 20 mA<br>26,5 V ... 31,6 V<br>AS-i profile: S-BA |
| Breaking temperature difference  | 1K: thermal return<br>3K: without thermal return<br>7K: capillary sensor  |   | < 7K   | 1 - 4K   |
| Tolerance for switching point  | +/- 3K  |   | +/- 4K   | +/- 2K   |
| Sensor   | bimetal or remote sensor with 1,5 m capillary   |   | bimetal  | NTC  |
| Connection   | 0,5 - 2,5 mm² screw clamps  |   |  | 1,3 mm DC Jack                                     |
| Colour   | RAL 7035 - light grey   |   |  |  |
| Weight   | 75 g  | 50 g  | 50 g   | 55 g   |
| System of protection   | IP20  |   |  |  |
| Working / storage temperature range  | - 20 °C (- 4 °F) ... + 80 °C (+ 176 °F)   |   |  | -25°C (-13°F) ... +80°C (+176°F)                   |
| Mounting method  | snap fastening for 35 mm profile bars in accordance with EN 60715 (FLZ 520/530: for Pfannenberg Exhaust Filter PFA 3000 too)<br>FLZ 550 AS-i not for headfirst mounting |   |  |  |
| Approvals  | UL approval applied for   |   | UL approval  |  |

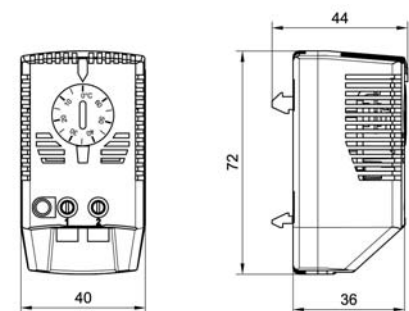
FLZ 510



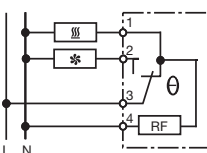
FLZ 510 capillary sensor



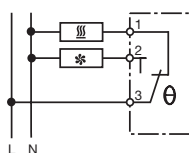
FLZ 520 / FLZ 530 / FLZ 550-AS-i



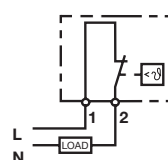
FLZ 510 1K



FLZ 510 3K / 7K



FLZ 520 NCC



FLZ 530 NOC

