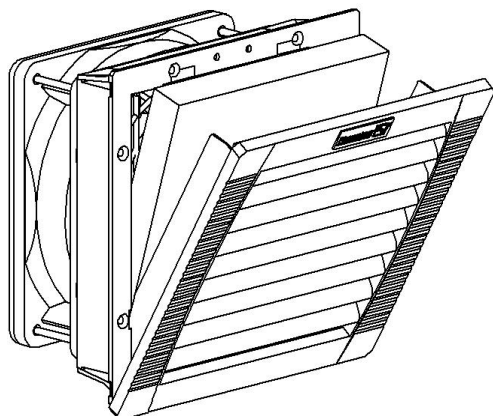
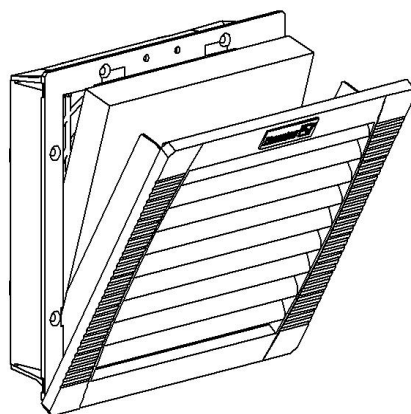


# Pfannenberg Filterfan 4<sup>th</sup> Generation

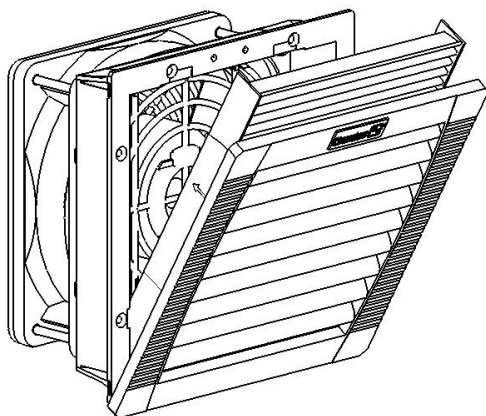
## Installation- and operating instructions



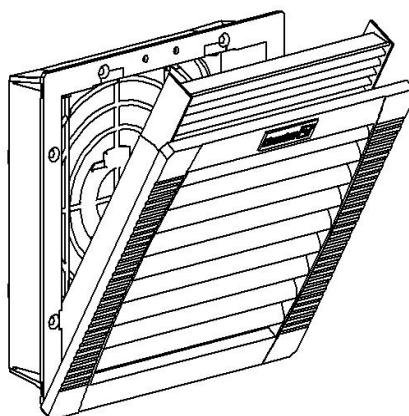
**IP54/ TYPE 12 PF/ PF EMC**



**IP54/ TYPE 12 PFA/ PFA EMC**



**IP55/ TYPE 12 PF/ PF EMC**

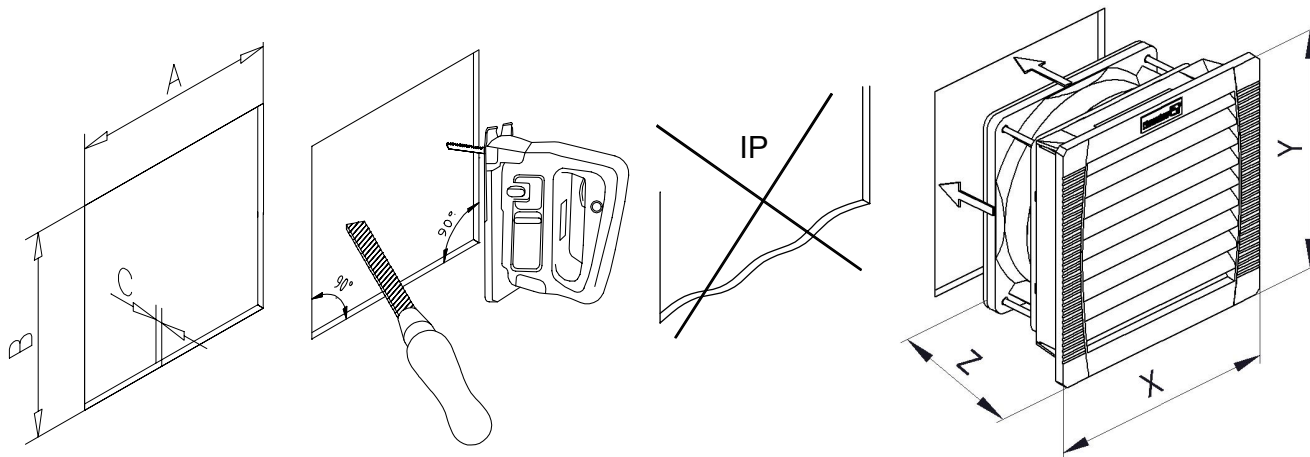


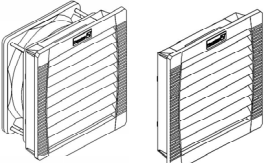
**IP55/ TYPE 12 PFA/ PFA EMC**

Read and save this instruction.



## Cut outs and dimensions



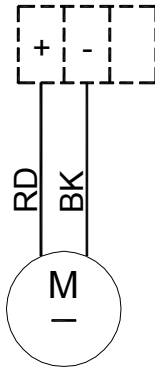
		A = B mm(inch)		X = Y mm(inch)	Z mm(inch)		
		Standard	EMC		PF		PFA
		$C \leq 2(0,08") = A \begin{matrix} +1(0,04") \\ 0 \end{matrix}$	$\pm 0,5 (0,02")$		DC	AC	
		$C > 2(0,08") \leq 3(0,12") = A \begin{matrix} +2(0,08") \\ +1(0,04") \end{matrix}$					
PF 11000	PFA 10000	92(3 <sup>5</sup> / <sub>8</sub> "	93(3 <sup>21</sup> / <sub>32</sub> "	109(4 <sup>19</sup> / <sub>64</sub> "	53(2 <sup>3</sup> / <sub>32</sub> "	66(2 <sup>19</sup> / <sub>32</sub> "	23(2 <sup>9</sup> / <sub>32</sub> "
PF 22000	PFA 20000	125(4 <sup>59</sup> / <sub>64</sub> "	126,5(4 <sup>63</sup> / <sub>64</sub> "	145(5 <sup>45</sup> / <sub>64</sub> "	69(2 <sup>23</sup> / <sub>32</sub> "	75(2 <sup>61</sup> / <sub>64</sub> "	31(1 <sup>7</sup> / <sub>32</sub> "
PF 32000	PFA 30000	177(6 <sup>31</sup> / <sub>32</sub> "	178 (7"	202(7 <sup>61</sup> / <sub>64</sub> "	87(3 <sup>27</sup> / <sub>64</sub> "	93(3 <sup>43</sup> / <sub>64</sub> "	40(1 <sup>37</sup> / <sub>64</sub> "
PF 42500	PFA 40000	223(8 <sup>25</sup> / <sub>32</sub> "	224(8 <sup>53</sup> / <sub>64</sub> "	252(9 <sup>59</sup> / <sub>64</sub> "	103(4 <sup>1</sup> / <sub>16</sub> "		44(1 <sup>47</sup> / <sub>64</sub> "
PF 43000					103(4 <sup>1</sup> / <sub>16</sub> "	119(4 <sup>11</sup> / <sub>16</sub> "	
PF 65000	PFA 60000	291(11 <sup>29</sup> / <sub>64</sub> "	292(11 <sup>1</sup> / <sub>2</sub> "	320(12 <sup>19</sup> / <sub>32</sub> "	157(6 <sup>3</sup> / <sub>16</sub> "		46(1 <sup>13</sup> / <sub>16</sub> "
PF 66000							
PF 67000							

**CAUTION:** The degree of protection IP 54 / 55 cannot be guaranteed unless the correct installation position and a non-destroyed sealing are ensured.

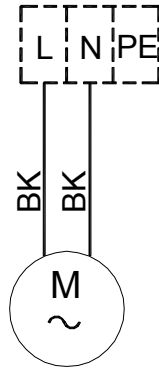
**EMC** Function cannot be guaranteed unless there is a conductive connection between the EMC-shield and the mounting cut out

# Power connection

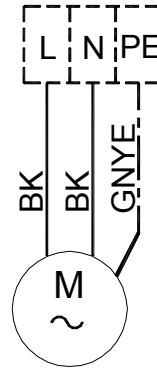
DC-12/24/48V



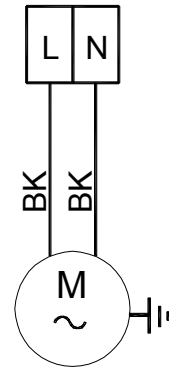
AC-24V



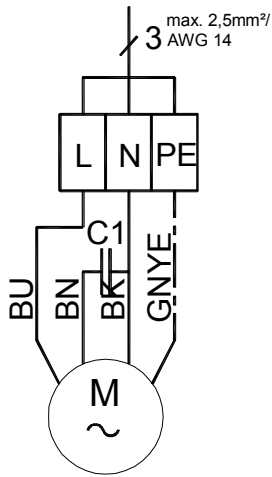
AC-230/115V



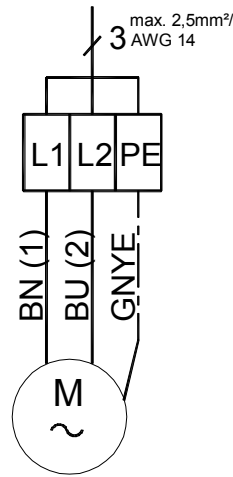
AC-230/115V



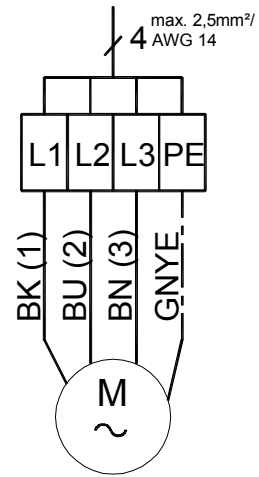
AC-230/115V



AC- 400V






AC- 400/460V



Minimum distance of 30,5cm (12") between arcing parts and filters (acc. UL508A sec. 22)

Technical data

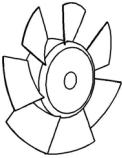

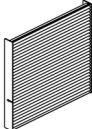
Технические данные

	U +/- DC	U ~ 50/60 Hz	P	I			
	V	V	W	A			standard (EMC)
PF 11.000	12	--	2,4	0,2	-15.. + 55°C + 5.. +131°F	6A	0,16 (0,19)
PF 11.000	24	--	2,4	0,1			
PF 11.000	48	--	2,6	0,05			
PF 11.000	--	24	12/11	0,5/0,5			
PF 11.000	--	115	12/11	0,15/0,15			
PF 11.000	--	230	12/11	0,07/0,06			0,55 (0,58)
PF22.000	12	--	5	0,42	-15.. + 55°C + 5.. +131°F	6A	0,44 (0,49)
PF22.000	24	--	5	0,21			
PF22.000	48	--	5	0,1			
PF22.000	--	24	20/20	1,05/1,02			
PF22.000	--	115	20/20	0,235/0,23			
PF22.000	--	230	19/18	0,12/0,18			0,7 (0,76)
PF 32.000	12	--	5	0,42	-15.. + 55°C + 5.. +131°F	6A	0,61 (0,7)
PF 32.000	24	--	5	0,21			
PF 32.000	48	--	5	0,1			
PF 32.000	--	115	20/20	0,235/0,23			
PF 32.000	--	230	19/18	0,12/0,18			
PF 32.000	--	230	19/18	0,12/0,18			0,87 (0,96)
PF 42.500	12	--	6	0,5	-15.. + 55°C + 5.. +131°F	6A	0,92 (1,08)
PF 42.500	24	--	4,7	0,2			
PF 42.500	48	--	4,6	0,1			
PF 42.500	--	115	18/17	0,25/0,25			
PF 42.500	--	230	18/17	0,12/0,1			
PF 42.500	--	230	18/17	0,12/0,1			1,18 (1,34)
PF 43.000	12	--	12	1	-15.. + 55°C + 5.. +131°F	6A	1,51 (1,77)
PF 43.000	24	--	12	0,5			
PF 43.000	48	--	12	0,25			
PF 43.000	--	115	40/40	0,5/0,5			
PF 43.000	--	230	45/39	0,32/0,26			
PF 43.000	--	400	41/38	0,13/0,13			1,67 (1,83)
PF 65.000	--	115	75/90	0,66/0,8	-15.. + 55°C + 5.. +131°F	6A	3,2 (3,43)
PF 65.000	--	230	65/80	0,3/0,36			
PF 66.000	--	115	110/160	0,96/1,4	-15.. + 55°C + 5.. +131°F	6A	3,2 (3,43)
PF 66.000	--	230	115/150	0,51/0,66			
PF 66.000	--	400/460	120/155	0,26/0,25			
PF 67.000	--	115	140/195	1,23/1,71	-15.. + 55°C + 5.. +131°F	6A	3,7 (3,93)
PF 67.000	--	230	135/215	0,59/1			
PF 67.000	--	400/460	140/170	0,35/0,425			
PFA 10.000					-15.. + 55°C + 5.. +131°F		0,06 (0,09)
PFA 20.000							0,12 (0,18)
PFA 30.000							0,26 (0,35)
PFA 40.000							0,46 (0,62)
PFA 60.000							0,7 (0,93)

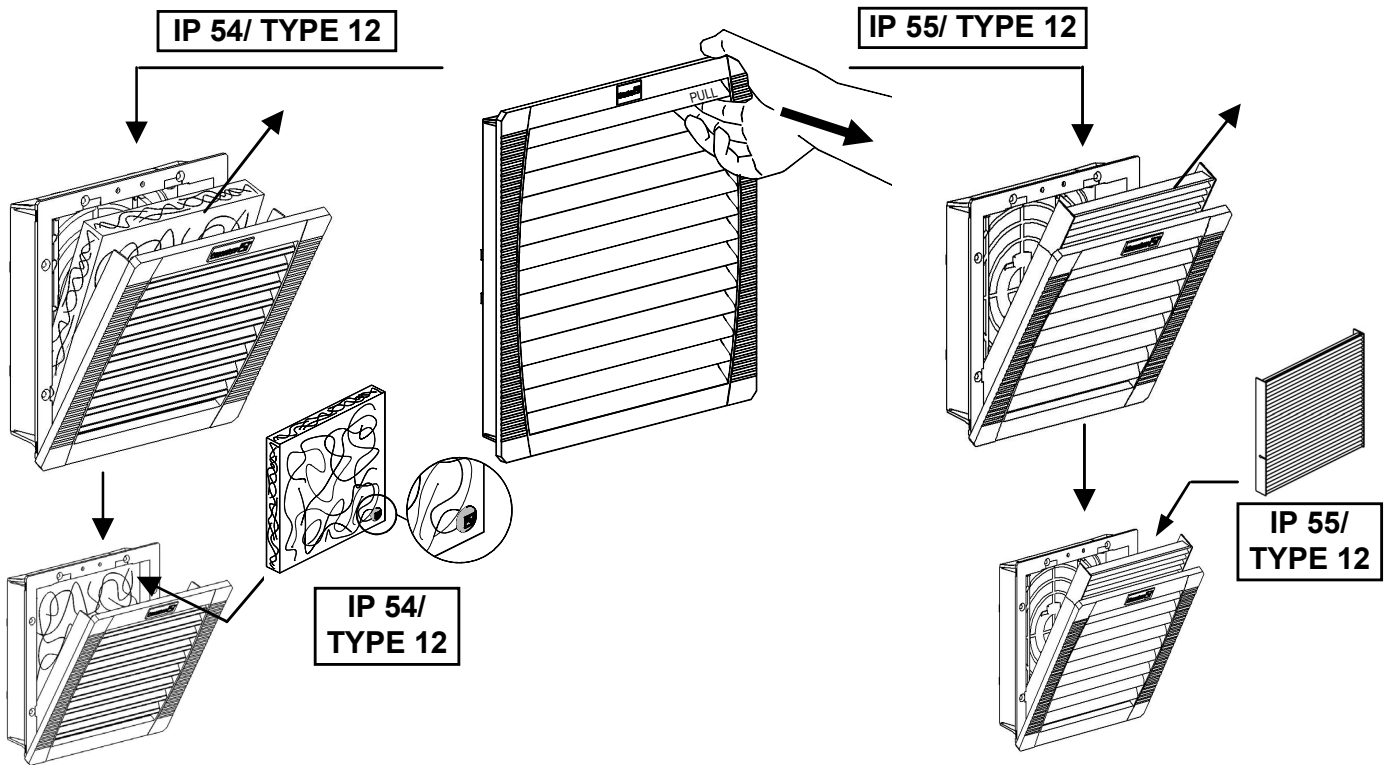
Ordering spare parts

Приобретение запасных деталей

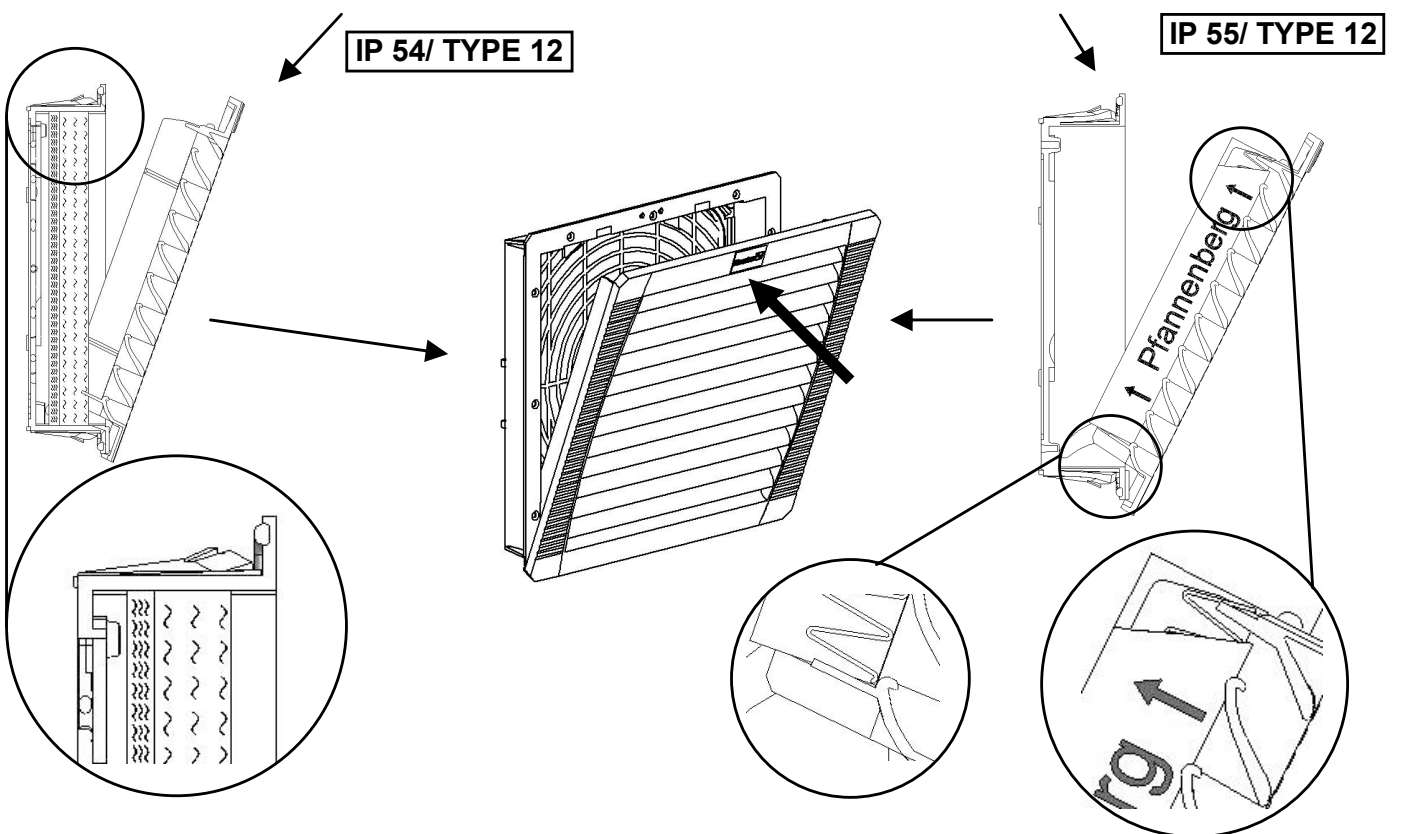
[www.filterfan.com](http://www.filterfan.com) · [spareparts@pfannenberg.com](mailto:spareparts@pfannenberg.com)

	U +/- DC	U ~ 50/60 Hz		IP54/ TYPE 12  5x	IP 55/ TYPE 12  5x		
PF 11.000	12V	-	18611000036	18611600029	--		
	24V	-	18611000039				
	48V	-	18611000042				
	-	24V	18611000005				
	-	115V	18611000028				
	-	230V	18611000032				
PFA 10.000	--	--	--				
PF 22.000	12V	-	18611000025	18611600030	18611600034		
	24V	-	18611000026				
	48V	-	18611000027				
	-	24V	18611000006				
	-	115V	18611000009				
	-	230V	18611000016				
PFA 20.000	--	--	--				
PF 32.000	12V	-	18611000025	18611600031	18611600035		
	24V	-	18611000026				
	48V	-	18611000027				
	-	24V	18611000006				
	-	115V	18611000009				
	-	230V	18611000016				
PFA 30.000	--	--	--				
PF 42.500	12V	-	18611000037	18611600032	18611600036		
	24V	-	18611000040				
	48V	-	18611000054				
	-	115V	18611000029				
	-	230V	18611000033				
PF 43.000	12V	-	18611000055	18611600032	18611600036		
	24V	-	18611000056				
	48V	-	18611000057				
	-	115V	18611000012				
	-	230V	18611000019				
	-	400V	18611000022				
PFA 40.000	--	--	--				
PF 65.000	-	115V	18611000047	18611600033	18611600037		
	-	230V	18611000044				
PF 66.000	-	115V	18611000048				
	-	230V	18611000045				
	-	400/460V	18611000050				
PF 67.000	-	115V	18611000049				
	-	230V	18611000046				
	-	400/460V	18611000051				
PFA 60.000	--	--	--				

# Filter change / Maintenance



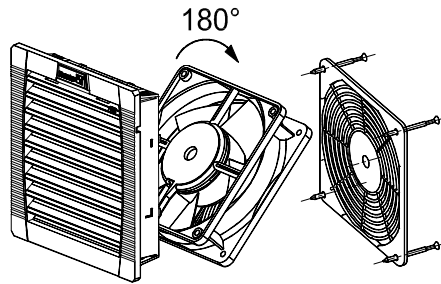
IP 54/ 55/ TYPE 12: Make sure that the filter is installed in the proper position.



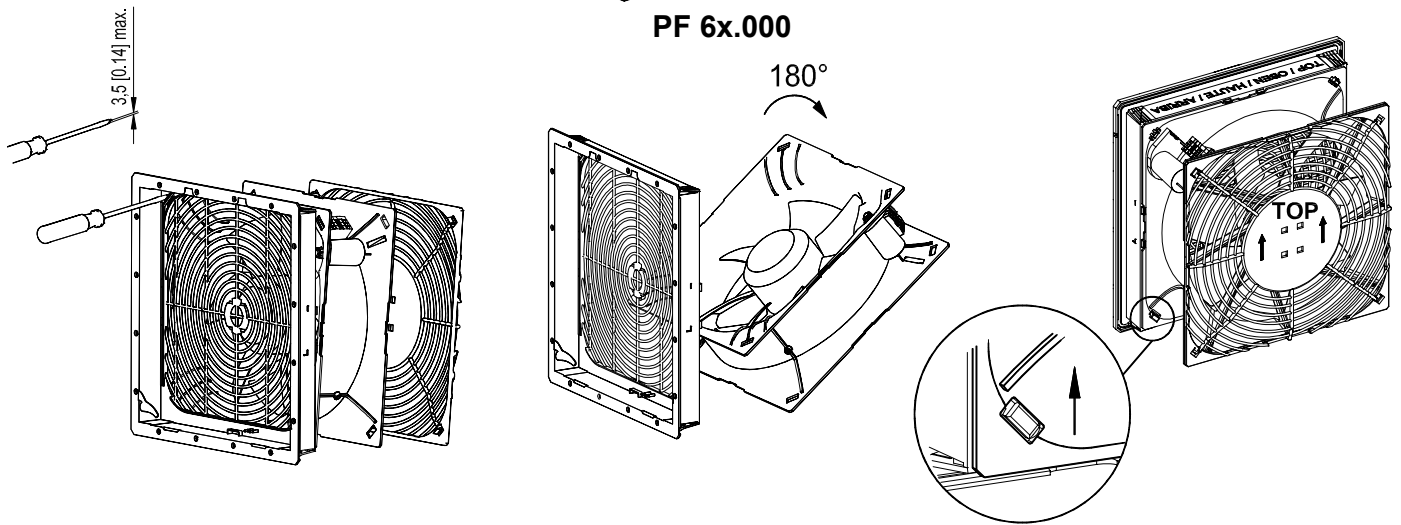
## Changing the air flow direction

Изменение направления движения воздуха

PF 1x.000 – PF 4x.000



PF 6x.000



Warranty and licenses **are limited to original Pfannenberg spare parts** and become void if other spare parts are used. Furthermore, ingress protection and capacity levels are no longer ensured if original Pfannenberg spare parts are not used.