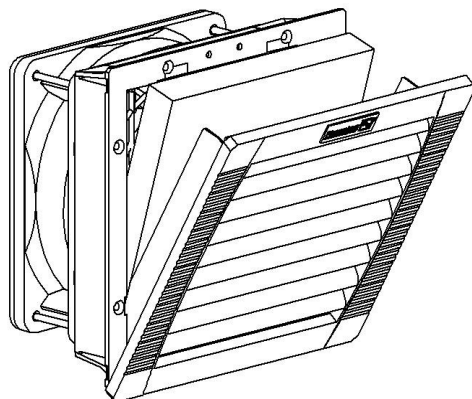
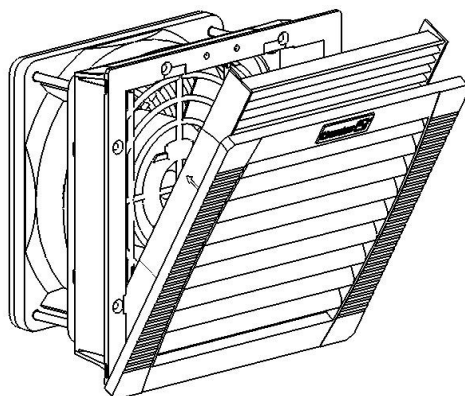


Pfannenberg Filterfan 4th Generation

Installation- and operating instructions



IP54/ TYPE 1 PF 33.000/ PF 33.000 EMC

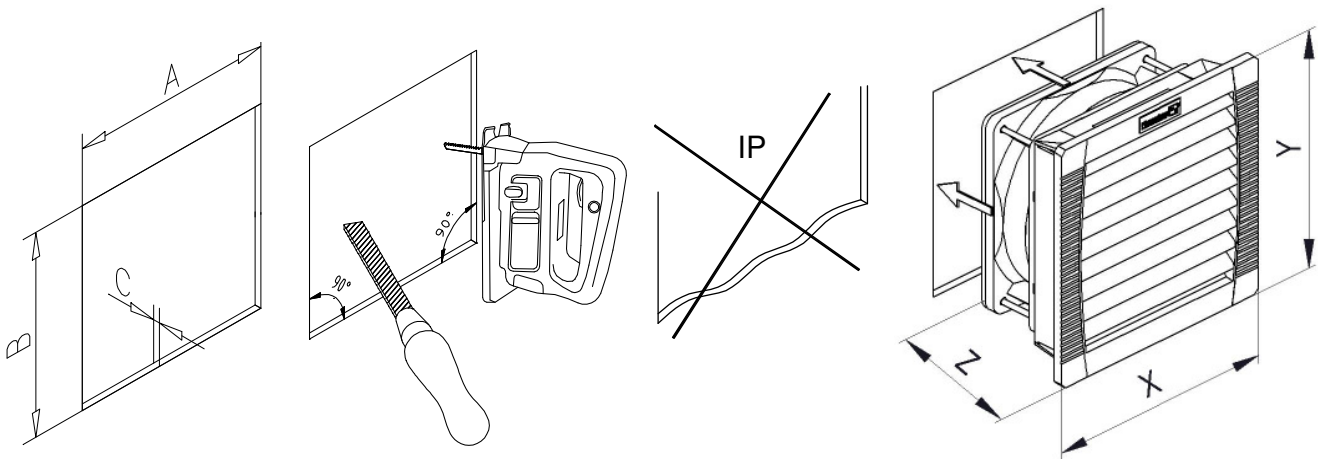



IP55/ TYPE 1 PF 33.000/ PF 33.000 EMC

Read and save this instruction.



Cut outs and dimensions



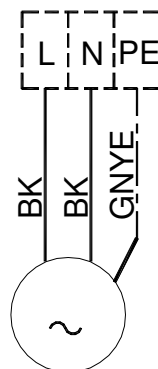
	A = B mm(inch)		X = Y mm(inch)	Z mm(inch)
	Standard	EMC		PF
	$C \leq 2(0,08") = A_0^{+1(0,04")}$	$\pm 0,5 (0,02")$		AC
	$C > 2(0,08") \leq 3(0,12") = A_0^{+2(0,08") + 1(0,04")}$			
PF 33.000	177($6^{31/32}"$)	178 (7")	202($7^{61/64}"$)	94($3^{45/64}"$)

CAUTION: The degree of protection IP54/ IP55/ Type1 cannot be guaranteed unless the correct installation position and a non-destroyed foam gasket are ensured.

EMC Function cannot be guaranteed unless there is a conductive connection between the EMC-shield and the mounting cut out

Power connection

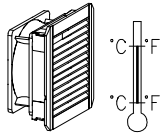
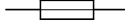

AC-230/115V



Minimum distance of 30,5cm (12") between arcing parts and filters (acc. UL508A sec. 22)

Technical data

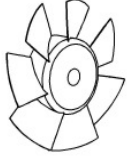

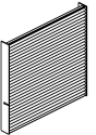
Технические данные

	U +/- DC	U ~ 50/60 Hz * 60Hz	P	I			
	V	V	W	A			standard (EMC)
PF 33.000	--	115	40/40	0,5/0,5	-15.. + 55 °C + 5.. +131 °F	6A	1,67 (1,83)
PF 33.000	--	230	45/39	0,32/0,26			

Ordering spare parts

Приобретение запасных деталей

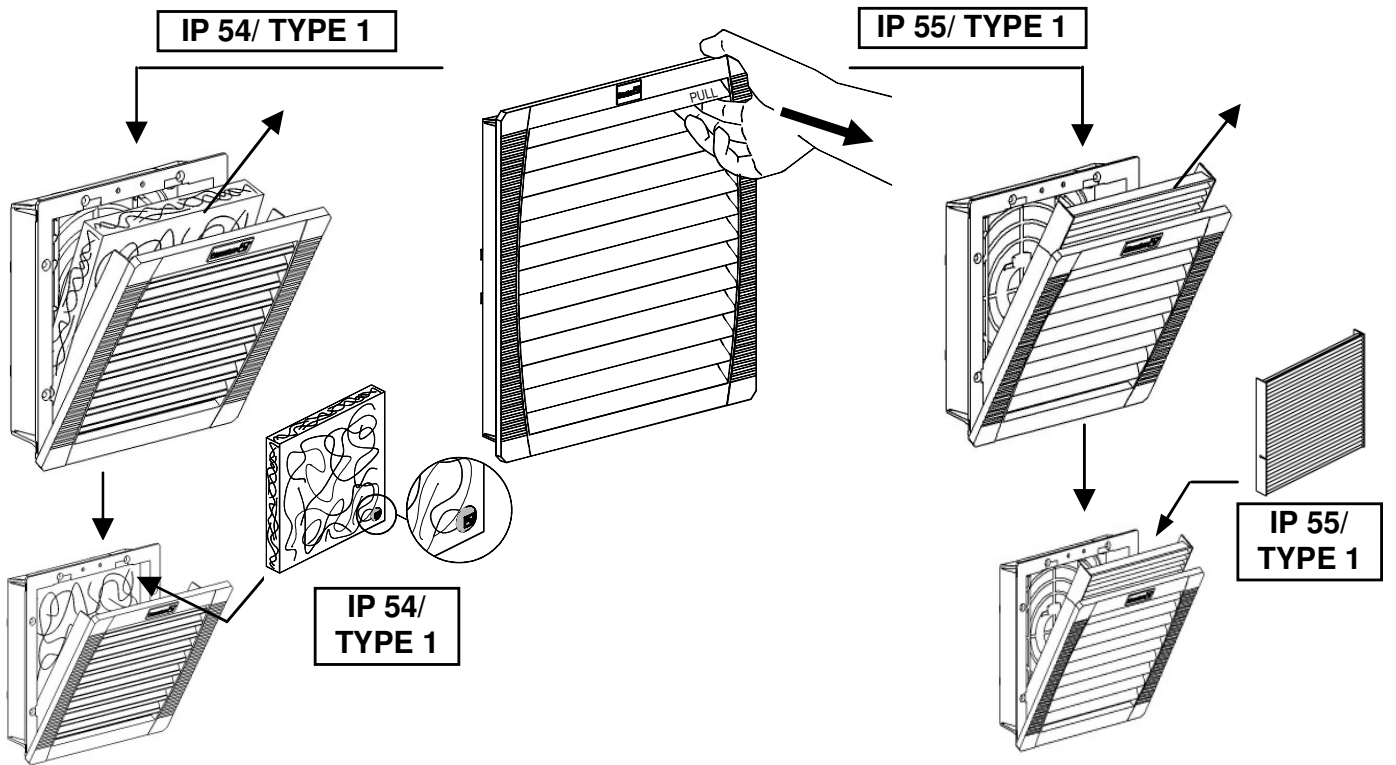
www.filterfan.com · spareparts@pfannenber.com


	U +/- DC	U ~ 50/60 Hz		IP54/ TYPE 1  5x	IP 55/ TYPE 1  5x
PF 33.000	-	115V	18611000012	18611600031	18611600035
	-	230V	18611000019		



Warranty and licenses **are limited to original Pfannenber spare parts** and become void if other spare parts are used. Furthermore, ingress protection and capacity levels are no longer ensured if original Pfannenber spare parts are not used. As a result the ingress protection will be reduced to Type 1.

Filter change / Maintenance



 IP 54/ 55/ TYPE 1: Make sure that the filter is installed in the proper position.

