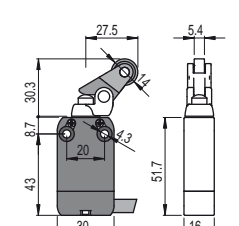
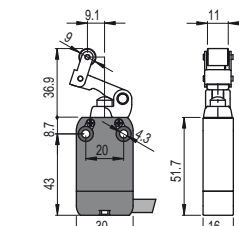
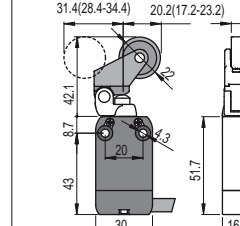
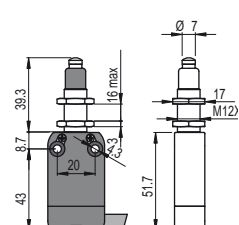
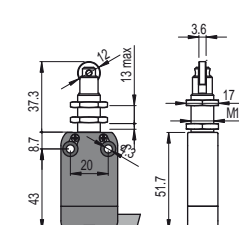
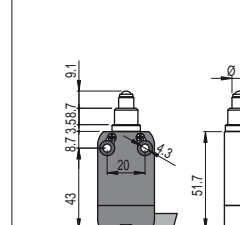
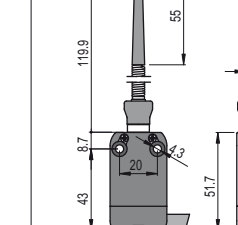




Contact type:	With stainless steel roller on request		Operation in one direction		Fixed only by threaded head				
									
R = snap action L = slow action									
Contact blocks									
B11	R	NF B110CH-DN2	⊕ 1NO+1NC	NF B110CP-DN2	⊕ 1NO+1NC	NF B110CV-DN2	⊕ 1NO+1NC	NF B110EB-DN2	⊕ 1NO+1NC
B02	R	NF B020CH-DN2	⊕ 2NC	NF B020CP-DN2	⊕ 2NC	NF B020CV-DN2	⊕ 2NC	NF B020EB-DN2	⊕ 2NC
B12	R	NF B120CH-DN2	⊕ 1NO+2NC	NF B120CP-DN2	⊕ 1NO+2NC	NF B120CV-DN2	⊕ 1NO+2NC	NF B120EB-DN2	⊕ 1NO+2NC
B22	R	NF B220CH-DN2	⊕ 2NO+2NC	NF B220CP-DN2	⊕ 2NO+2NC	NF B220CV-DN2	⊕ 2NO+2NC	NF B220EB-DN2	⊕ 2NO+2NC
G11	L	NF G110CH-DN2	⊕ 1NO+1NC	NF G110CP-DN2	⊕ 1NO+1NC	NF G110CV-DN2	⊕ 1NO+1NC	NF G110EB-DN2	⊕ 1NO+1NC
G02	L	NF G020CH-DN2	⊕ 2NC	NF G020CP-DN2	⊕ 2NC	NF G020CV-DN2	⊕ 2NC	NF G020EB-DN2	⊕ 2NC
G12	L	NF G120CH-DN2	⊕ 1NO+2NC	NF G120CP-DN2	⊕ 1NO+2NC	NF G120CV-DN2	⊕ 1NO+2NC	NF G120EB-DN2	⊕ 1NO+2NC
G22	L	NF G220CH-DN2	⊕ 2NO+2NC	NF G220CP-DN2	⊕ 2NO+2NC	NF G220CV-DN2	⊕ 2NO+2NC	NF G220EB-DN2	⊕ 2NO+2NC
Max. speed	page 243 - type 3		page 243 - type 3		page 243 - type 3		page 243 - type 4		
Min. force	5 N (25 N ⊕)		3 N (25 N ⊕)		3 N (25 N ⊕)		7 N (25 N ⊕)		
Travel diagrams	page 244 - group 2		page 244 - group 6		page 244 - group 3		page 244 - group 1		

Contact blocks	Fixed only by threaded head With external rubber gasket		Fixed only by threaded head		Plunger with Ø 6 mm ball		With external rubber gasket		
									
B11	R	NF B110EE-DN2	⊕ 1NO+1NC	NF B110FB-DN2	⊕ 1NO+1NC	NF B110GB-DN2	⊕ 1NO+1NC	NF B110HB-DN2	1NO+1NC
B02	R	NF B020EE-DN2	⊕ 2NC	NF B020FB-DN2	⊕ 2NC	NF B020GB-DN2	⊕ 2NC	NF B020HB-DN2	2NC
B12	R	NF B120EE-DN2	⊕ 1NO+2NC	NF B120FB-DN2	⊕ 1NO+2NC	NF B120GB-DN2	⊕ 1NO+2NC	NF B120HB-DN2	1NO+2NC
B22	R	NF B220EE-DN2	⊕ 2NO+2NC	NF B220FB-DN2	⊕ 2NO+2NC	NF B220GB-DN2	⊕ 2NO+2NC	NF B220HB-DN2	2NO+2NC
G11	L	NF G110EE-DN2	⊕ 1NO+1NC	NF G110FB-DN2	⊕ 1NO+1NC	NF G110GB-DN2	⊕ 1NO+1NC		
G02	L	NF G020EE-DN2	⊕ 2NC	NF G020FB-DN2	⊕ 2NC	NF G020GB-DN2	⊕ 2NC	NF G020HB-DN2	2NC
G12	L	NF G120EE-DN2	⊕ 1NO+2NC	NF G120FB-DN2	⊕ 1NO+2NC	NF G120GB-DN2	⊕ 1NO+2NC		
G22	L	NF G220EE-DN2	⊕ 2NO+2NC	NF G220FB-DN2	⊕ 2NO+2NC	NF G220GB-DN2	⊕ 2NO+2NC		
Max. speed	page 243 - type 4		page 243 - type 2		page 243 - type 2		1 m/s		
Min. force	7 N (25 N ⊕)		7 N (25 N ⊕)		7 N (25 N ⊕)		0.03 Nm		
Travel diagrams	page 244 - group 1		page 244 - group 1		page 244 - group 1		page 244 - group 4		

All measures in the drawings are in mm