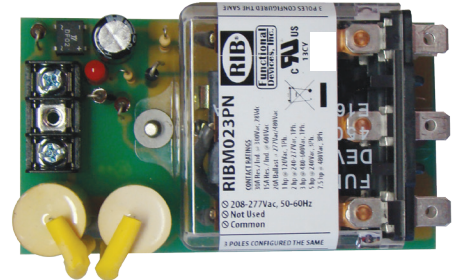
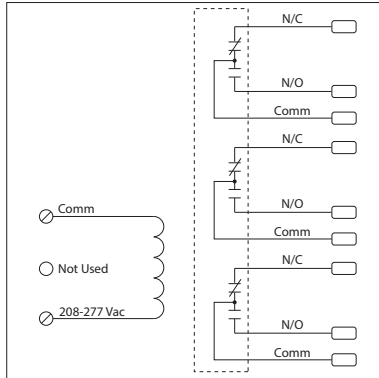


**30 AMP TRACK MOUNT CONTROL RELAY**

**RIBM023PN**

4.00" Track Mount Relay 30 Amp 3PDT with 208-277 Vac Coil



RELAYS

**SPECIFICATIONS**

- # Relays & Contact Type:** One (1) 3PDT Continuous Duty Coil
- Expected Relay Life:** 10 million cycles minimum mechanical
- Operating Temperature:** -30 to 140° F
- Humidity Range:** 5 to 95% (noncondensing)
- Operate Time:** 20ms
- Relay Status:** LED On = Activated
- Dimensions:** 2.450" x 4.000" x 1.750"
- Track Mount:** 4.000"; See MT4 Series on page 152  
**MT4 Mounting Track Sold Separately**
- Approvals:** UL Component Recognized, UL916, UL864  
C-UL, California State Fire Marshal
- Gold Flash:** No
- Override Switch:** No

- Contact Ratings:**
- 30 Amp General Use @ 300 Vac
  - 30 Amp Resistive @ 28 Vdc
  - 20 Amp Ballast @ 277-480 Vac
  - Not rated for Electronic Ballast*
  - 15 Amp Resistive @ 600 Vac
  - 7.5 HP @ 480 Vac, 3 Phase
  - 5 HP @ 240 Vac, 3 Phase
  - 3 HP @ 480-600 Vac, 1 Phase
  - 2 HP @ 240-277 Vac, 1 Phase
  - 1 HP @ 120 Vac, 1 Phase

- Heavy Pilot Duty @ 600 Vac
- 770 VA @ 120 Vac, 1 Phase
- 1158 VA @ 240 Vac, 1 Phase
- 1110 VA @ 277 Vac, 1 Phase
- 1640 VA @ 480 Vac, 1 Phase
- 1466 VA @ 240 Vac, 3 Phase
- 2122 VA @ 480 Vac, 3 Phase

- Coil Current:**
- 170 mA @ 208-277 Vac

- Coil Voltage Input:**
- 208-277 Vac; 50-60 Hz
  - Drop Out = 60 Vac
  - Pull In = 160 Vac