

## NEMA 4/IP65 ENCLOSURES

- RUGGED STEEL CONSTRUCTION
- COMPLETELY SEALED FOR WASH-DOWN
- VERSATILE MOUNTING OPTIONS FOR MACHINE OR DESK-TOP

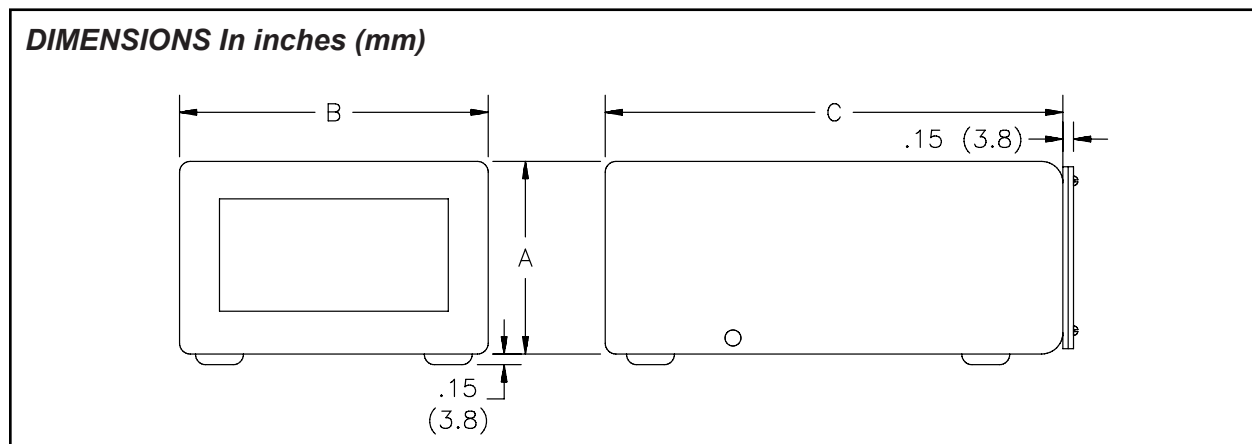


### DESCRIPTION

This series of enclosures is designed for applications requiring a water resistant instrument enclosure. These rugged enclosures are fabricated of formed steel with all seams welded to withstand NEMA 4/IP65 wash-down applications. The kits are coated with a durable flat black polyurethane finish.

Electrical connections to the enclosed instrument are easily made through a removable access panel at the rear of the enclosure. The panel can be drilled to accept conduit fittings or other types of wiring connectors.

The enclosures can be mounted free-standing or securely fastened to a mounting surface with brackets which are provided with each enclosure. The brackets also allow the enclosures to be raised and/or tilted from the mounting surface in order to achieve the most favorable operating position. Self-stick rubber pads are provided which can be applied to the bottom of the enclosure. These rubber pads will protect the mounting surface and are particularly useful for free-standing installations.



| DESCRIPTION                               | A               | B                | C                |
|---|-----------------|------------------|------------------|
| Legend & Libra Series<br>NEMA 4 Enclosure | 3.50"<br>(88.9) | 4.75"<br>(120.6) | 7.00"<br>(177.8) |
| Apollo & IM Series<br>NEMA 4 Enclosure    | 3.00"<br>(76.2) | 4.75"<br>(120.6) | 8.00"<br>(203.2) |
| Gemini Series<br>NEMA 4 Enclosure         | 3.50"<br>(88.9) | 6.00"<br>(152.4) | 8.00"<br>(203.2) |

### ORDERING INFORMATION

| DESCRIPTION                                 | PART NUMBER |
|---|-------------|
| Legend & Libra Series NEMA 4/IP65 Enclosure | ENC40000    |
| Apollo & IM Series NEMA 4/IP65 Enclosure    | ENC50000    |
| Gemini Series NEMA 4/IP65 Enclosure         | ENC60000    |

## Installation

The RLC ASTRO LINE products (GEMINI, LIBRA, APOLLO) have side openings in the case for panel mounting latches, special latches are supplied with each enclosure to engage the latch openings and securely retain the instrument. The installation procedure is as follows:

1. Verify that the enclosure brackets are installed into the enclosure with the bracket screws backed out more than half way from the brackets but keeping the screw head flush against the enclosure rear.
2. Slide the panel gasket over the rear of the unit until it is against the back of the bezel.
3. Hold the unit on its side so that a side bracket opening is facing up and insert the unit into the enclosure front opening.
4. The bracket hook should fall into the unit bracket opening. Keeping the meter and enclosure on their side, turn the bracket screw tight.

5. Flip the meter and enclosure to the other side.
6. The other bracket hook should fall into the unit bracket opening. Keeping the meter and enclosure on their side, turn the other bracket screw tight.
7. Verify that both screws are tight enough so that the front panel gasket is compressed to at least 50% of its original thickness.
8. Install any connectors or conduit fittings to the rear access panel. Make the desired wiring connections to the enclosed unit.
9. Install the rear panel gasket with the adhesive side against the enclosure and the screw clearance holes aligned with the threaded holes in the enclosure.
10. After all electrical connections have been made, attach the rear access panel to the rear of the enclosure with the four screws and washers provided.

